

NEXO

I N N O V A T E



SPARE PARTS

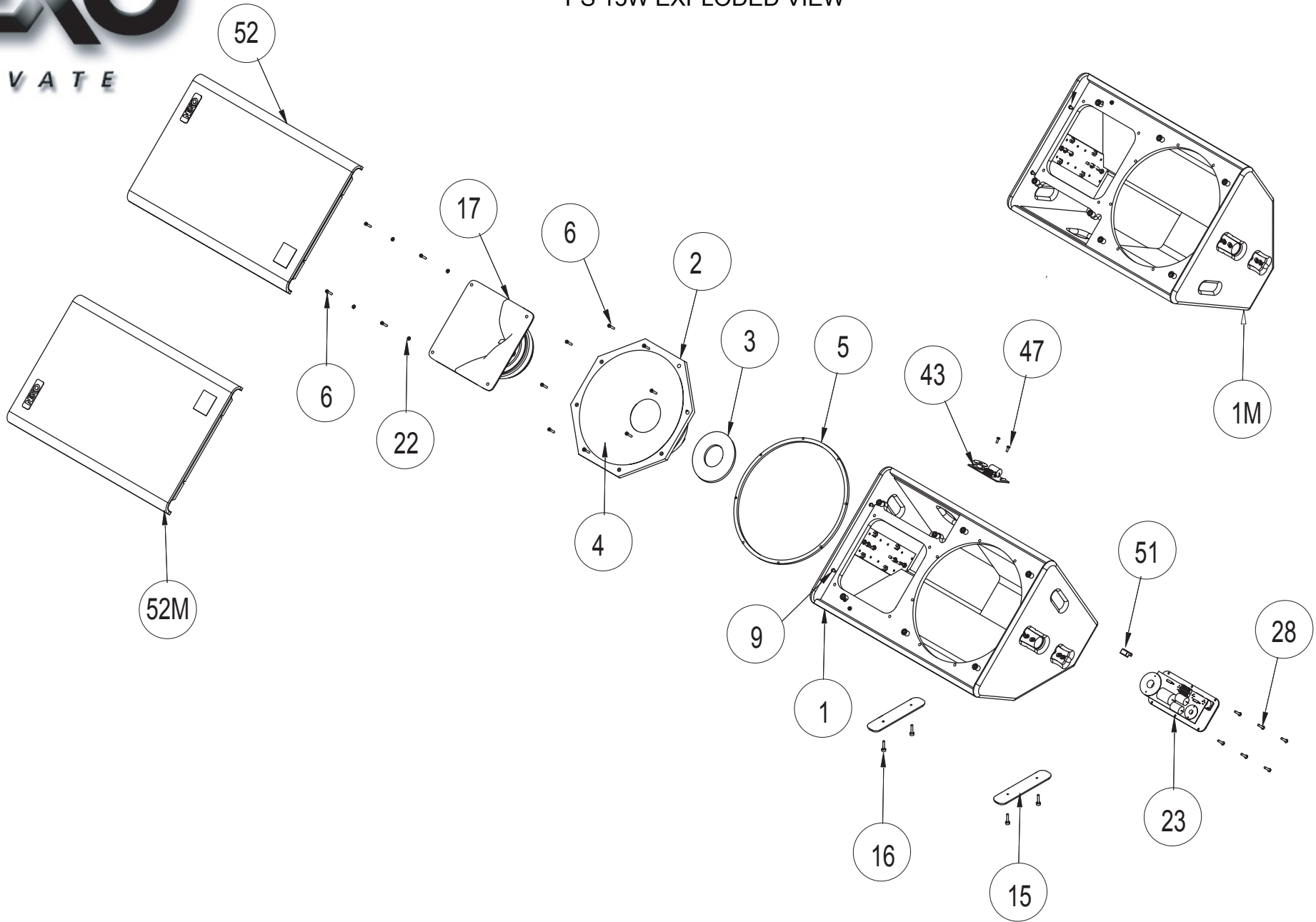
NEXO-SA
AFTER SALE DEPARTMENT
PARC DU PRE DE LA DAME JEANNE
60128 PLAILLY

FRANCE
Email : gilbert.laporte@nex

NEXO

INNOVATE

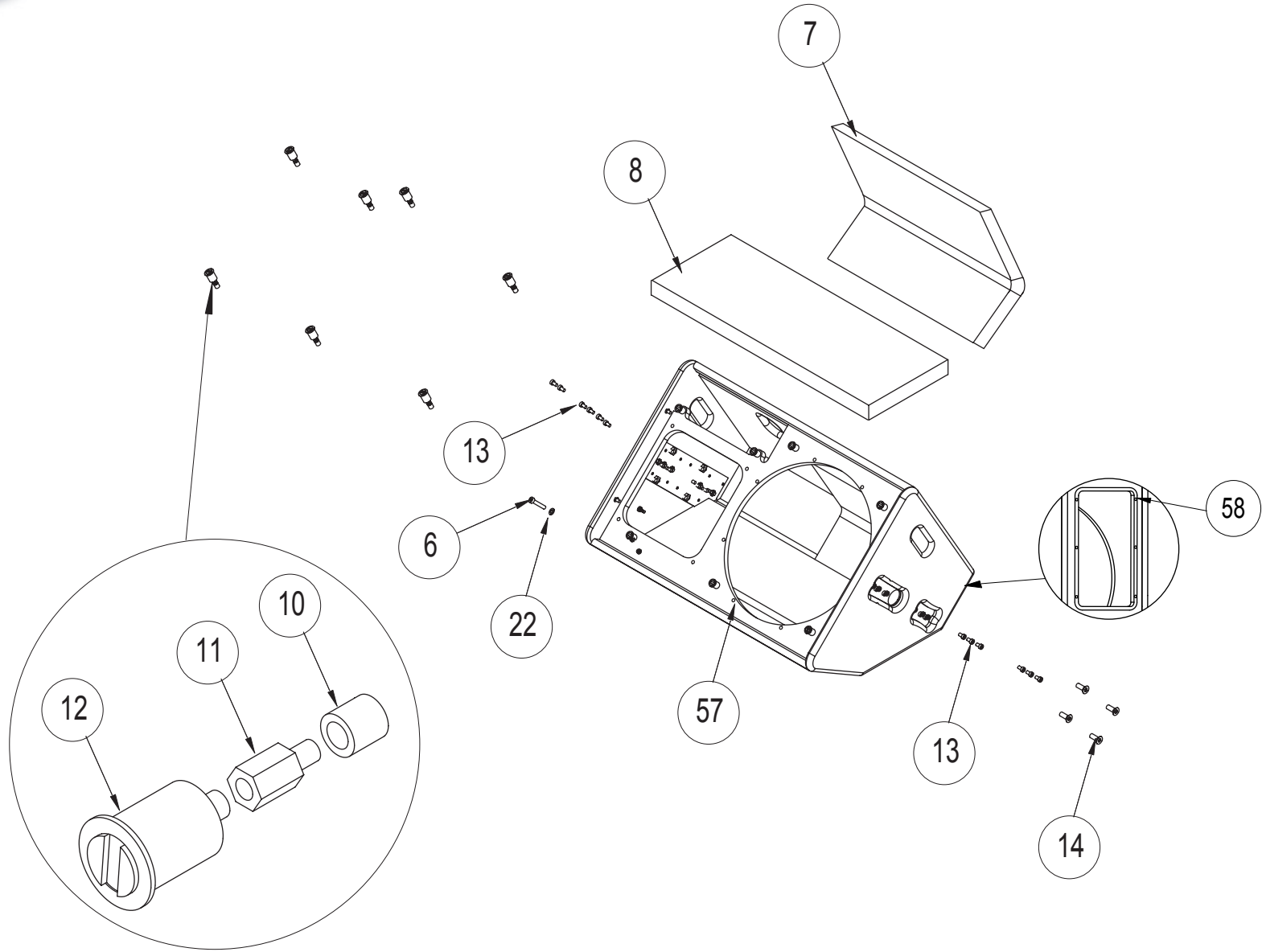
PS 15W EXPLODED VIEW



NEXO

INNOVATE

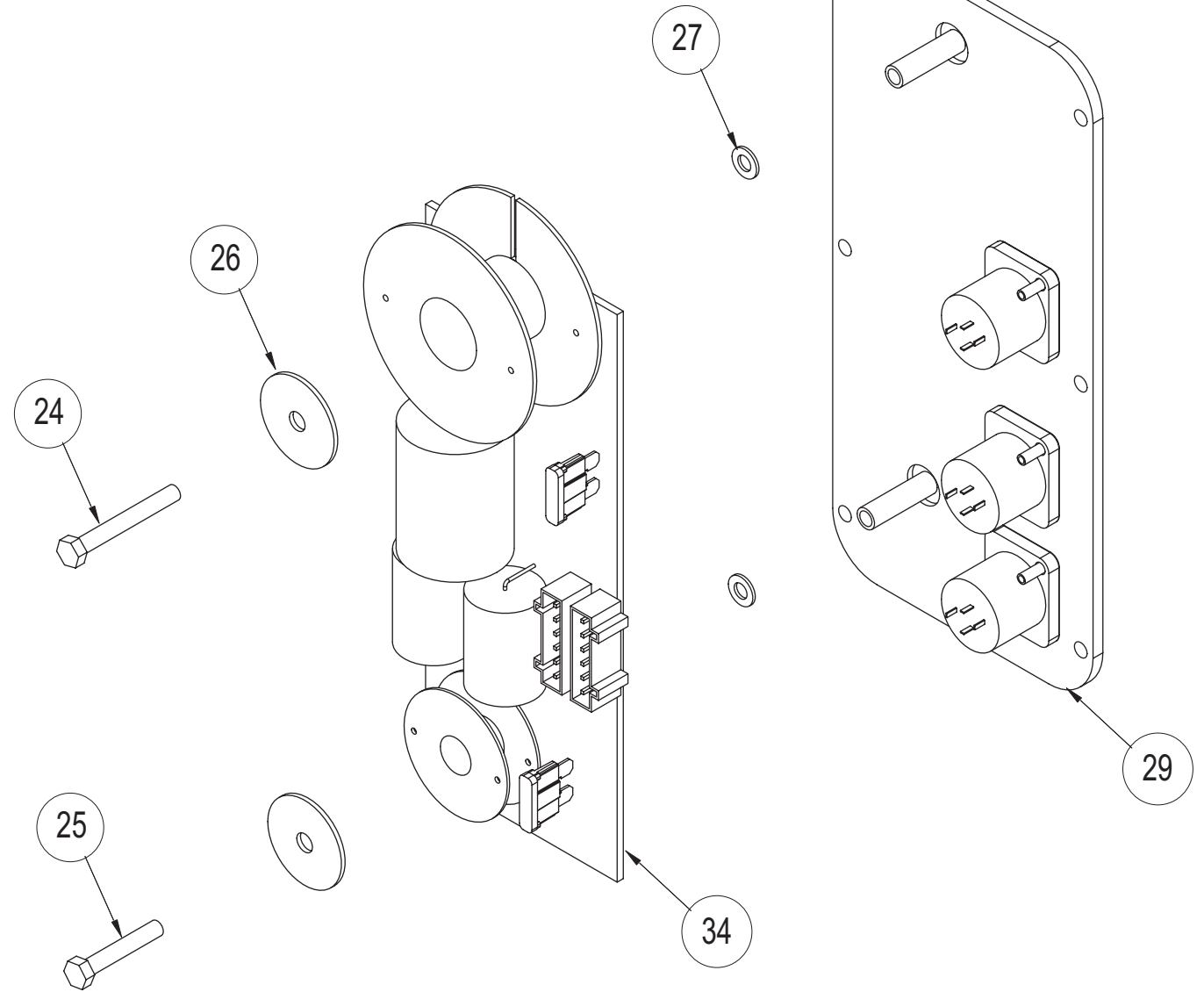
PS 15W COMPLETE CABINET



NEXO

INNOVATE

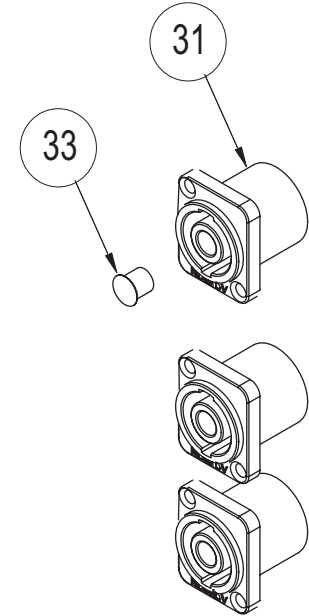
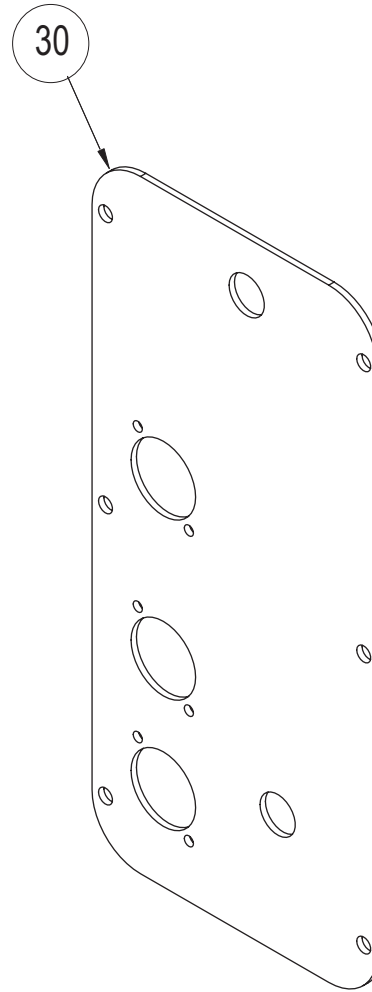
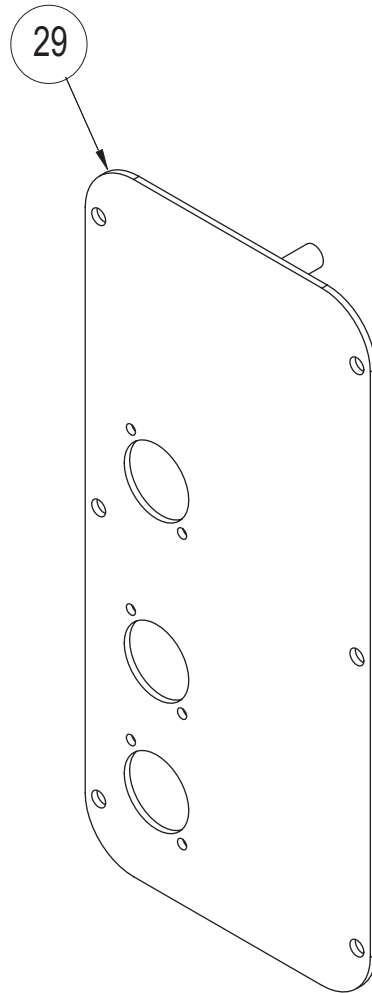
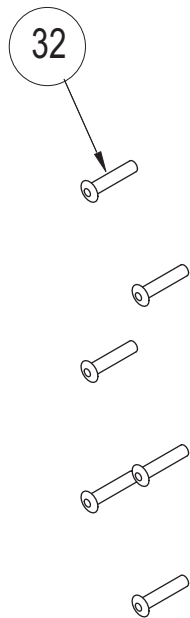
PS 15W COMPLETE PASSIVE FILTER



NEXO

INNOVATE

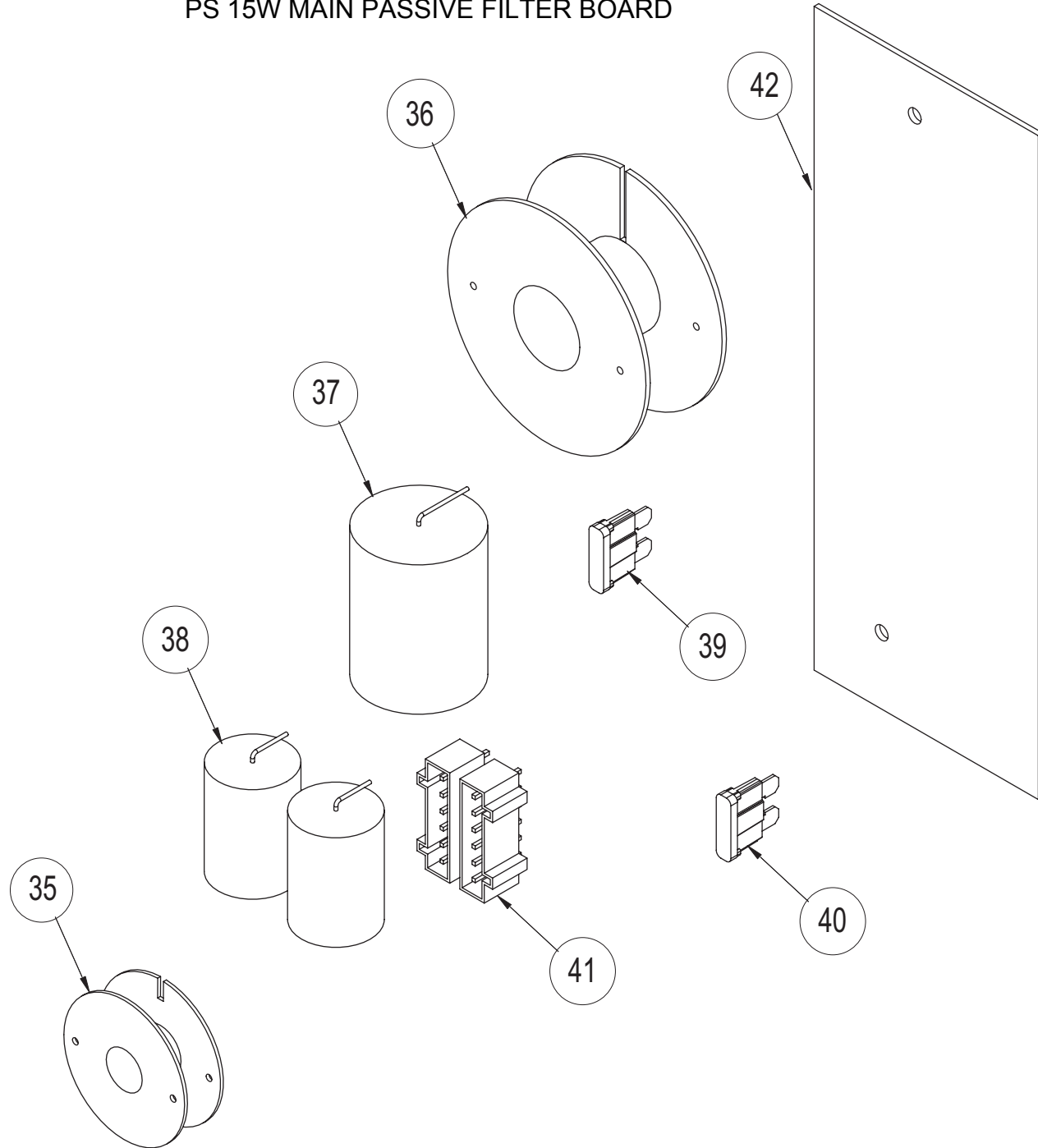
PS 15W COMPLETE CONNECTION PLATE



NEXO

INNOVATE

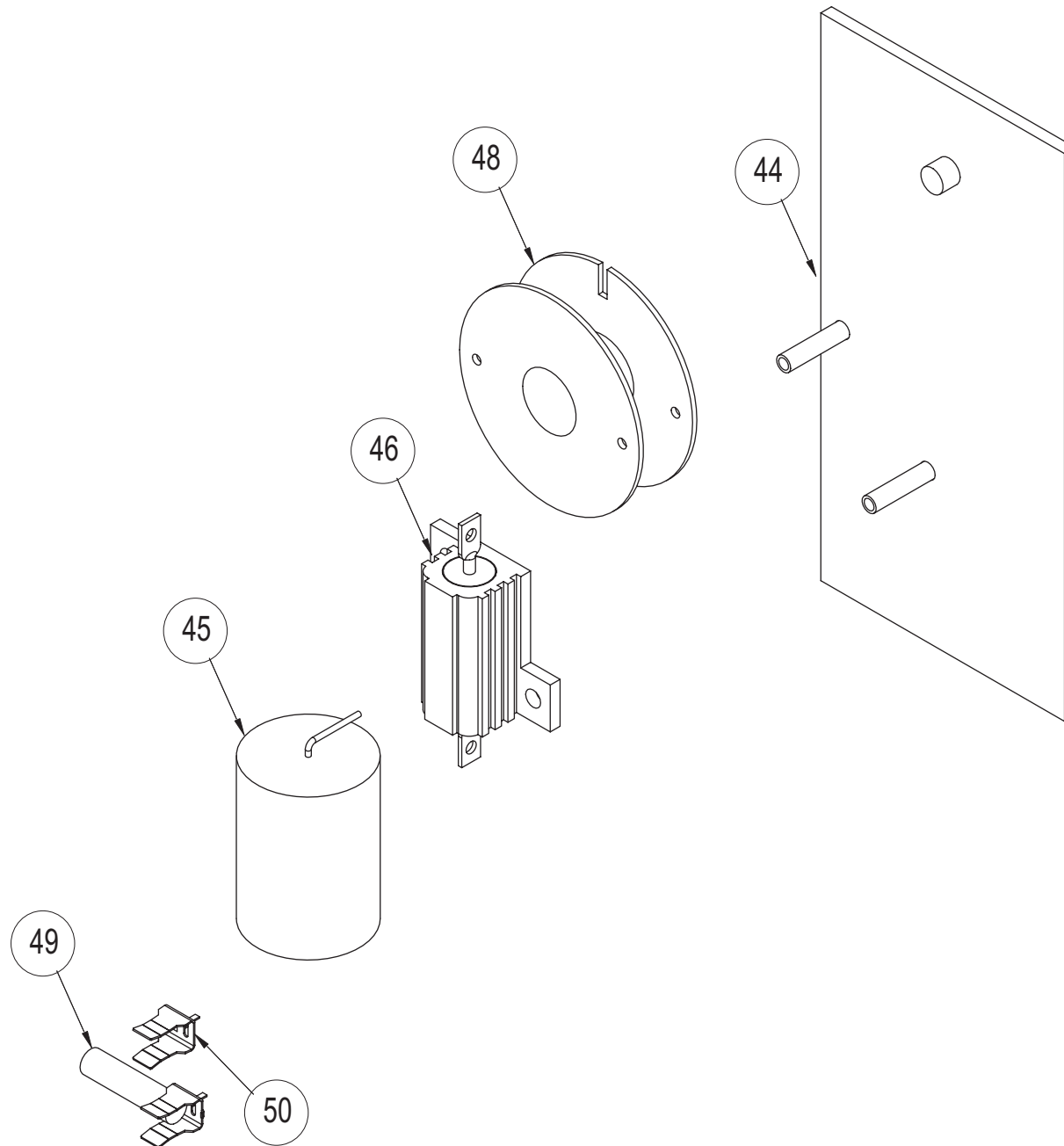
PS 15W MAIN PASSIVE FILTER BOARD





INNOVATE

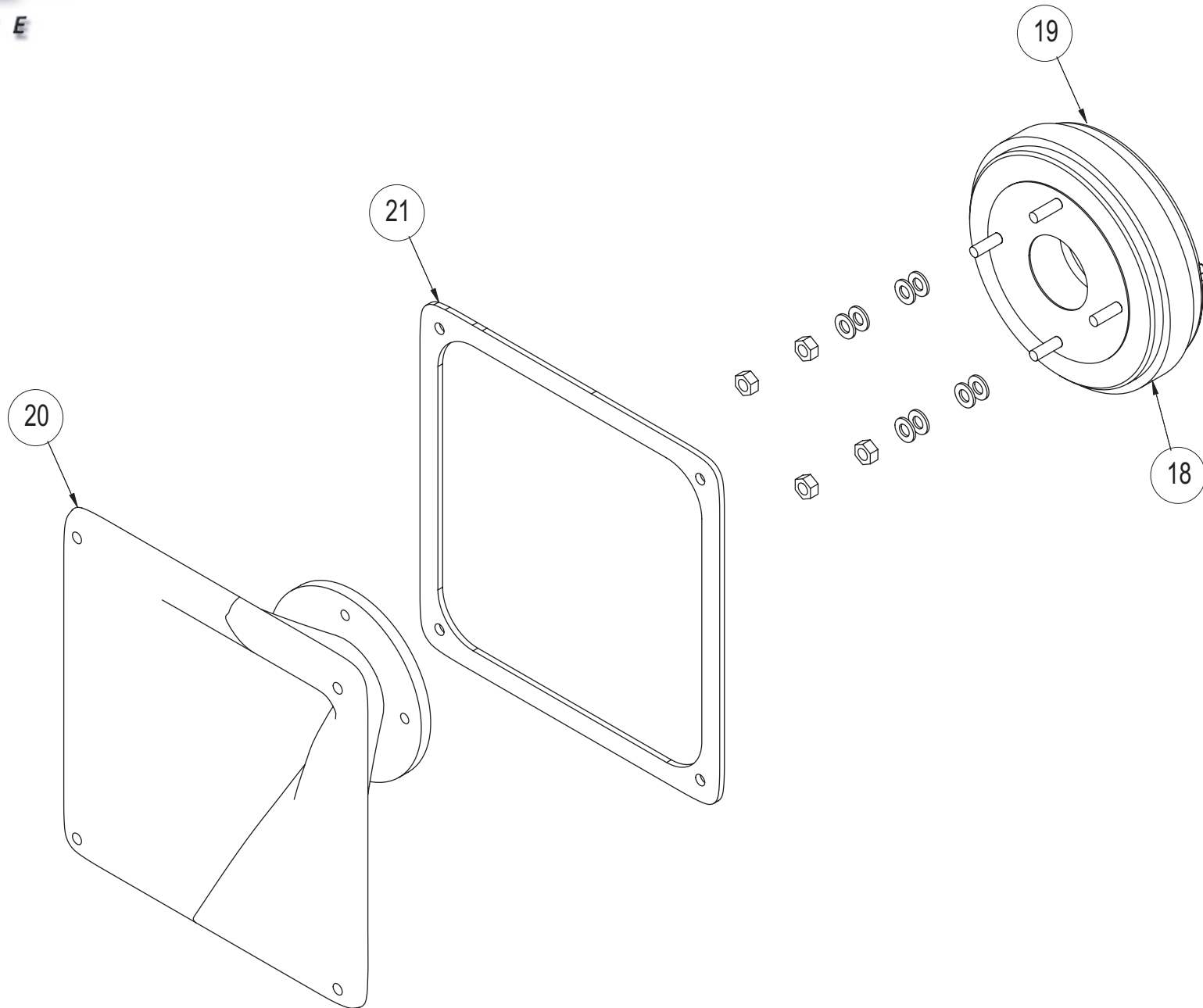
PS 15W MAIN IMPEDANCE COMPENSATION BOARD



NEXO

INNOVATE

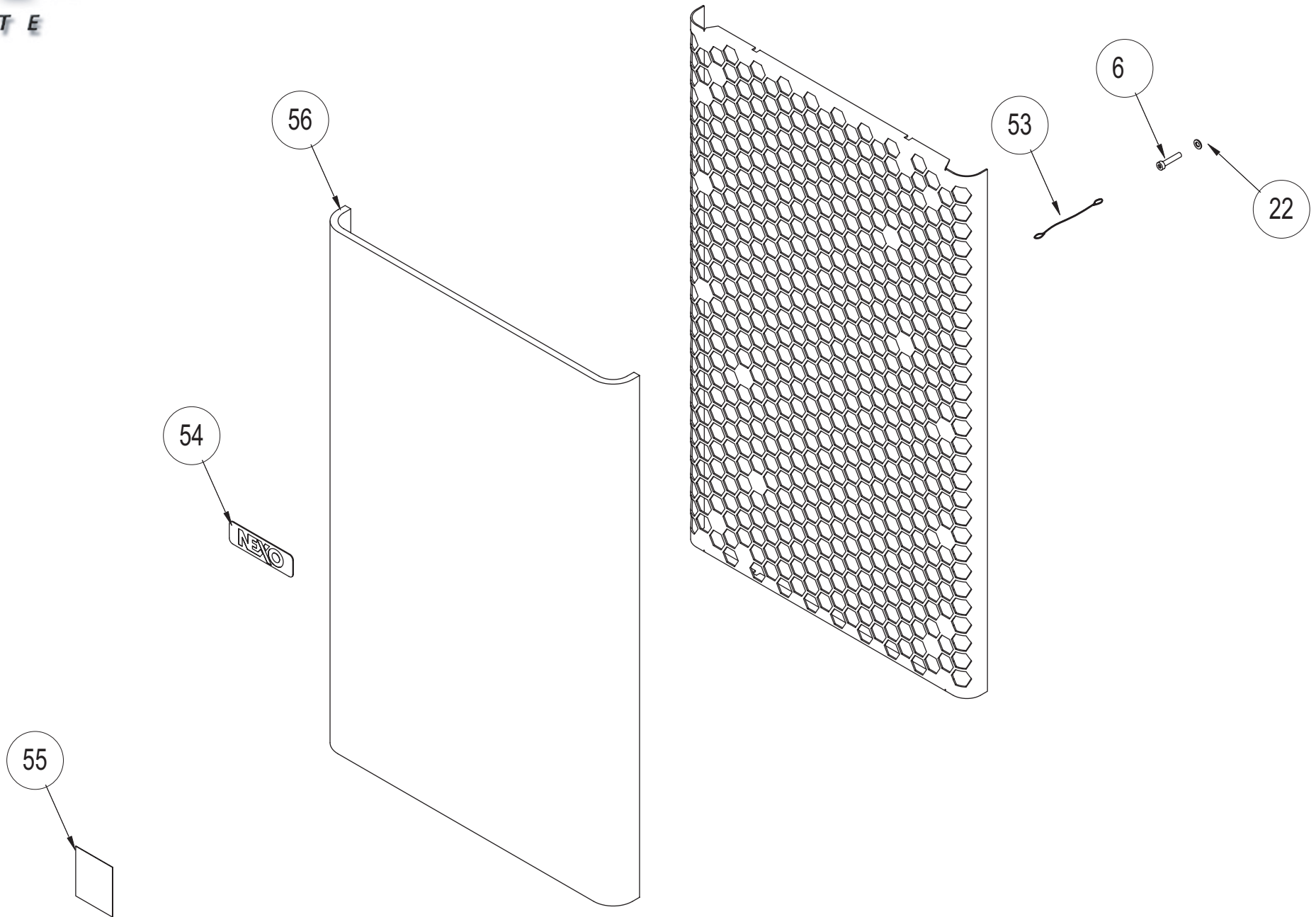
PS 15W HF + HORN



NEXO

INNOVATE

PS 15W COMPLETE GRID



MARK	QUANTITY	ASSEMBLY	SUB ASSEMBLY	PART REFERENCE	DESIGNATION
PS.15W					
1	1	05EBPS15W			CABINET PS15 + ACCESSORIES
2	1			05N1560P-8	HP BASS 15" FOR PS15 COMPLETE
3	1			05HPPLAQAR38	REAR WASHER FOR BASS SPEAKER
4	1			05N1560R/K	RECONE KIT FOR 15"
5	1			05JNEOHPBPS15	JOINT FOR HP BASS 15"
6	13			05VXTCX525N	SCREW TORX CYLINDRIC HEAD 5 X 25 BLACK
7	1			05MSAF3434	ACOUSTIC FOAM FOR PS15 340 X 340 X 20
8	1			05MSAF6420	ACOUSTIC FOAM FOR PS15 195 X 635 X 20
9	4			05CPBHTS2	WOOD INSERT PLASTIC BHTS-2-M6-01
10	7			05AP74511	WOOD INSERT PLASTIC M5-74-11
11	7			05ENTRPS15	HEXAGONAL SPACER M5 X 10
12	7			05AIMANT1	MAGNET FIXATION FOR PS15 GRILL
13	12			05VXTCX610N	SCREW TORX CYLINDRIC HEAD 6 X 10 BLACK
14	4			05VXTCX525N	SCREW TORX CYLINDRIC HEAD 5 X 25 BLACK
15	2			05PATIN-W	SKIDS
16	4			05VXFHC525N	SCREW TORX FLAT HEAD 5 X 25 STEEL BLACK
17	1	05PS.15UC			DRIVER + HORN PS15
18	1			05N75B-8	DRIVER FOR PS15 COMPLETE
19	1			05NH75R/K	DIAPHRAGM
20	1			05PAVPS15	PS15 HORN
21	1			05JNEOHMPS15	HORN JOINT PS15
22	5			05VRX520N	WASHER 5 X 20 STEEL BLACK
23	1	05PS.15FPC			PASSIVE FILTER FOR PS15 COMPLETE
24	1			05VLTH540	HEXAGONAL SCREW BRASS 5 X 40
25	1			05VLTH530	HEXAGONAL SCREW BRASS 5 X 30
26	2			05VRA630Z	WASHER Zg 6 X30
27	2			05VRA510ZN	WASHER Zg 5 X 10 BLACK
28	6			05VXCHB416N	SCREW TORX BUTTON HEAD 4 x 16 STEEL BLACK
29	1		05PS.15FPA		CONNECTION PLATE COMPLETE WITH ARTWORK
30	1			05JNEOHM+TPS15	JOINT FOR CONNECTION PLATE
31	3			05CNXNL4MP	SPEAKON 4
32	6			05VRIV3.216N	ALUMINIUM RIVET PLATE
33	1			05APBOUCH250	SECURITY PLUG FOR SPEAKON CONNECTOR

34	1		05PS.15FPB		PASSIVE FILTER
35	1			05FS100H1.1	INDUCTOR 1.1 MH 100 GR R20
36	1			05FS450H1.85	INDUCTOR 1.85 MH 100 GR R20
37	1			05FCNP35	CAPACITOR 35µF MKP PB 400 Vcd 5% Fab Spec
38	2			05FCNP8	CAPACITOR 8µF MKP PB 400 Vcd 5%
39	1			05FFAUTO10	AUTOFUSE 10A
40	1			05FFAUTO5	AUTOFUSE 5A
41	2			05CNX721-166/001	MALE CONNECTOR
42	1			05PCBPS15	PCB PS15 FILTER
43	1	05PS.15FPCOMP			IMPEDENCE COMPENSATION NETWORK PS15
44	1			05FPCOMPPS15V2	PCB PS15 IMPEDENCE FILTER
45	1			05FNCP8	CONDENSATEUR 8µF MKP PB 400V Vcd 5%
46	1			05FR25W22	RESSISTANCE WH25 22R
47	2			05VXTCC4,514N	SCREW VBA TCC 4,5 X 14 STEEL BLACK
48	1			05FS100H3.0	SELF 3.0 mH 100 gr R20
49	1			05FUS520T500	FUSIBLE 5 X 20 T 500mA REF: 533-956
50	2			05SUPFUS520	CLIP SUPPORT FUSSIBLE 5 X 20
51	1	05CNX721-106/037			INTERNAL FEMALE CONNECTOR
52	1	05PS.15UA			PS15 GRILL COMPLETE
53	1			05DRISSAC	SLING
54	1			05LOGNEXO	NEXO LOGO
55	1			05LOGPS15	PS15 LOGO
56	1			05MBULPEPS15	PS15 GRILL FOAM
57	8			05VRAF5	NUTS GRAF 5mm
58	6			05VGRAF4	NUTS GRAF 4mm

(*) PS15 MIRROR WEDGE					
1M	1	05EBPS15WMR		05EBPS15WMR	PS15 WEDGE MIRROR CABINET WITH ACCESSOIRES
52M	1	05PS.15UWMRA			PS15 MIRROR GRILL COMPLETE