

NEXO



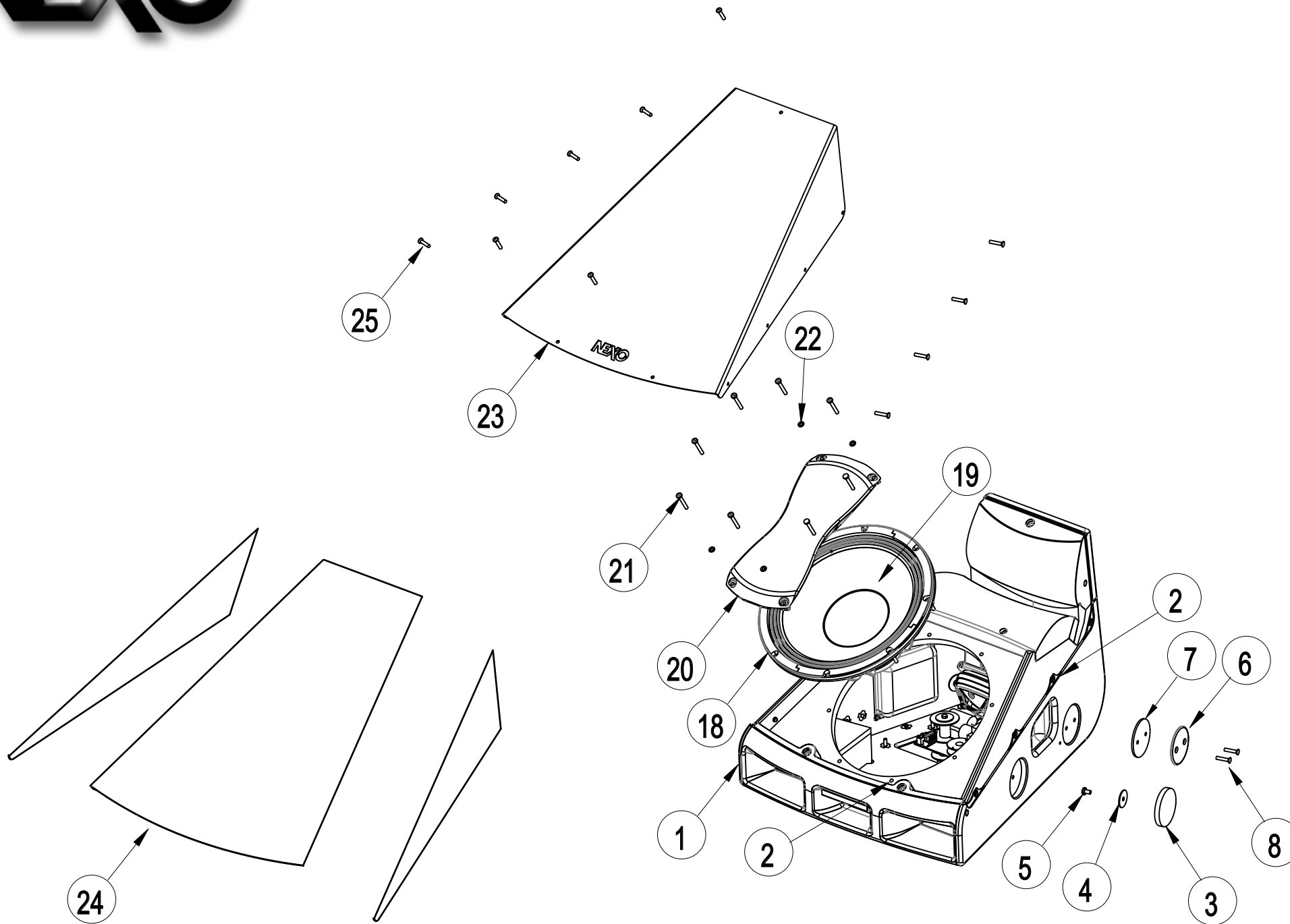
REV 1.1

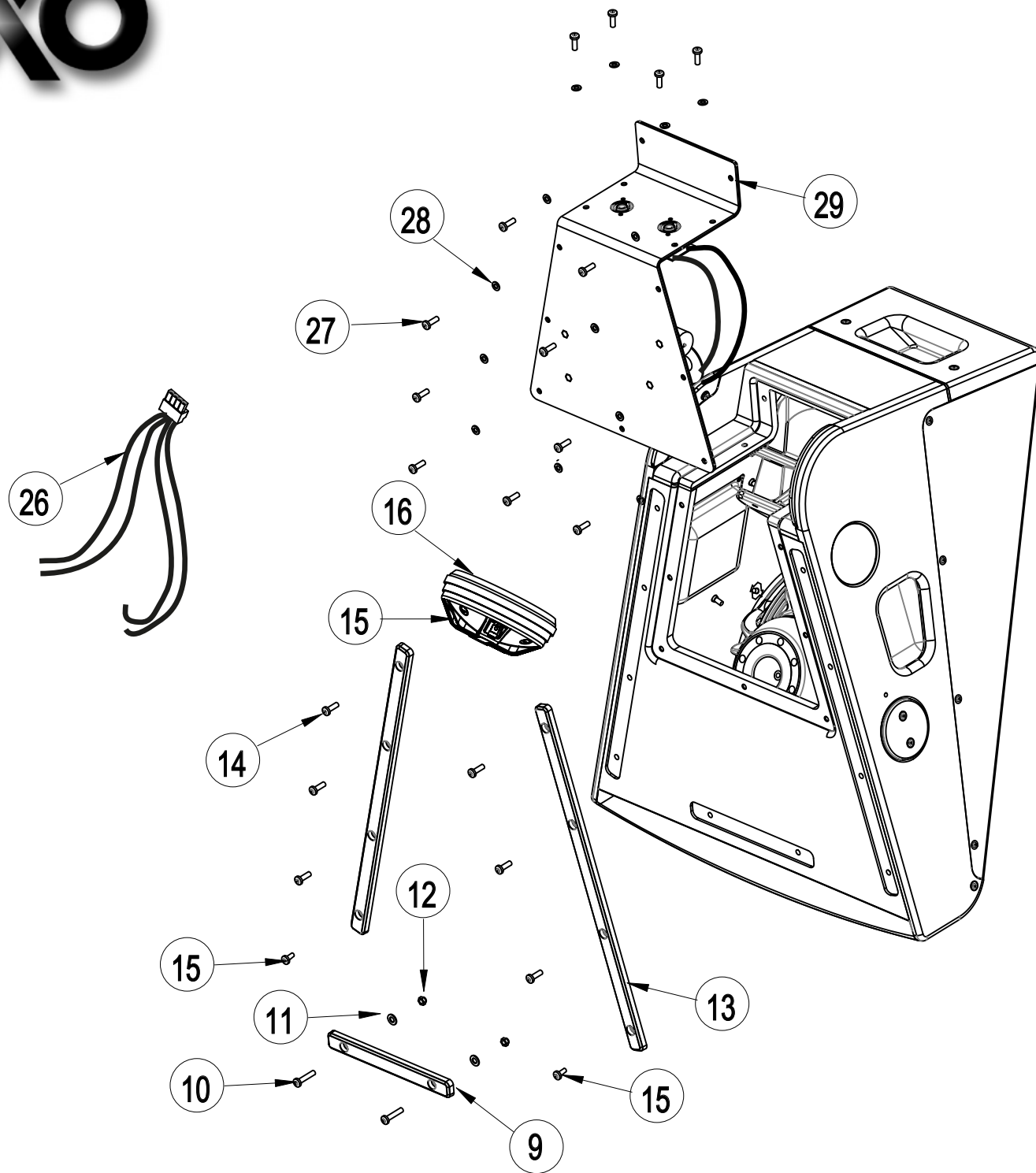
NEXO-SA
AFTER SALE DEPARTMENT
PARC DU PRE DE LA DAME JEANNE
60128 PLAILLY

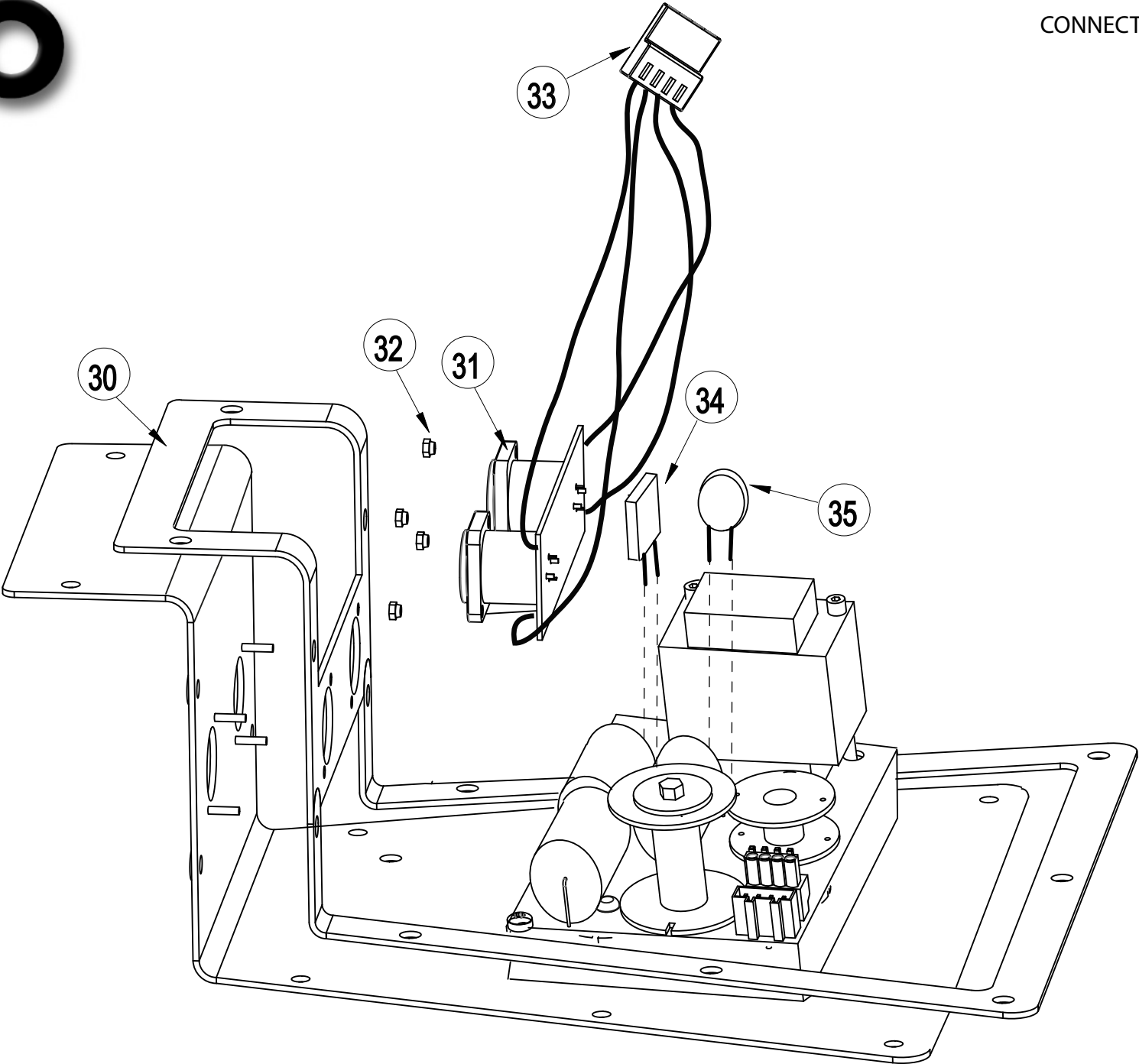
FRANCE
Email : gilbert.laporte@nexo.fr

NEXO

FRONT VIEW







MARK	QUANTITY	ASSEMBLY	SUB ASSEMBLY	PART REFERENCE	DESIGNATION
1	1	05EB45N12		05EB45N12	45N-12 EMPTY CABINET + ACCESSORIES
2	29			05VUNIM5	UNIMERCO T-NUT M5
3	2			05AIMANT66	MAGNET D66
4	2			05VRX516N	BLACK WHASHER 5X16
5	2			05VXTCX610N	BLACK TORX CYLINDRIC SCREW 6X10
6	2			05AMRD66	MAGNET WASHER D66
7	2			05SPACERD66	WASHER SPACER AMRD66
8	4			05VXTCFX525N	BLACK TORX FLAT HEAD SCREW 5X25
9	1			05PATIN-A1	45N-12 SHORT SKID
10	2			05VXTCBX525N	BLACK TORX BUTTON HEAD SCREW 5X25
11	2			05VRX516N	BLACK WHASHER 5X16
12	2			05VNYLST5	NUTS WITH POLYAMID INSERT M5
13	2			05PATIN-A2	45N-12 LONG SKID
14	6			05VXTCBX520N	BLACK TORX BUTTON HEAD SCREW 5X20
15	2			05VXTCBX512N	BLACK TORX BUTTON HEAD SCREW 5X12
16	1		05HPADE914-16	05HPADE914-16	DE914 DRIVER HF 16 Ohms
17	1			05NH91-16R/K	HPADE910-16 / HPADE60-16 / HPADE914-16 DIAPHRAGM
18	1		055HPB12206-8	05HPB12ND8	BASS DRIVER 12" NEODYNIUM (8 Ohms)
19	1			05HPB12ND8R/K	HPB12ND8 RECONE KIT
20	1			05PMP-GEOD10	GEOD10 & GEOS12 PMP
21	4			05VXTCBX535N	BLACK TORX BUTTON HEAD SCREW 5X35
22	4			05VRA510ZN	BLACK WHASHER 5X10
23	1		0545N12-A	0545N12-A	45N-12 COMPLETE GRILL
24	1			05MBULPE45N12	45N-12 FOAM GRILL
25	11			05VXTCFX525N	BLACK TORX FLAT HEAD SCREW 5X25
26	1		0545N12-F	0545N12-F	45N-12 INTERNAL WIRING
27	13			05VXTCBX520N	BLACK TORX BUTTON HEAD SCREW 5X20
28	13			05VRA510ZN	BLACK WHASHER 5X10

29	1	0545N12-FPC		0545N12-FPC	45N-12 COMPLETE PASSIVE FILTER
30	1			05JNEOCNX45N12	45N-12 GASKET CONNECTION PLATE
31	2			05CNXNL4MDV	SPEAKON NL4MDV
32	4			05VNYLST2.5	NUTS WITH POLYAMID INSERT M2.5
33	1			05CNX721-604	MALE CONNECTOR CNX721-604
34	1			05PLSW375RXEF	POLYSWITCH RXE 375
35	1			05PLSW185RXEF	POLYSWITCH RXE 185