

NEXO

I N N O V A T E

LS 400

SPARE PARTS

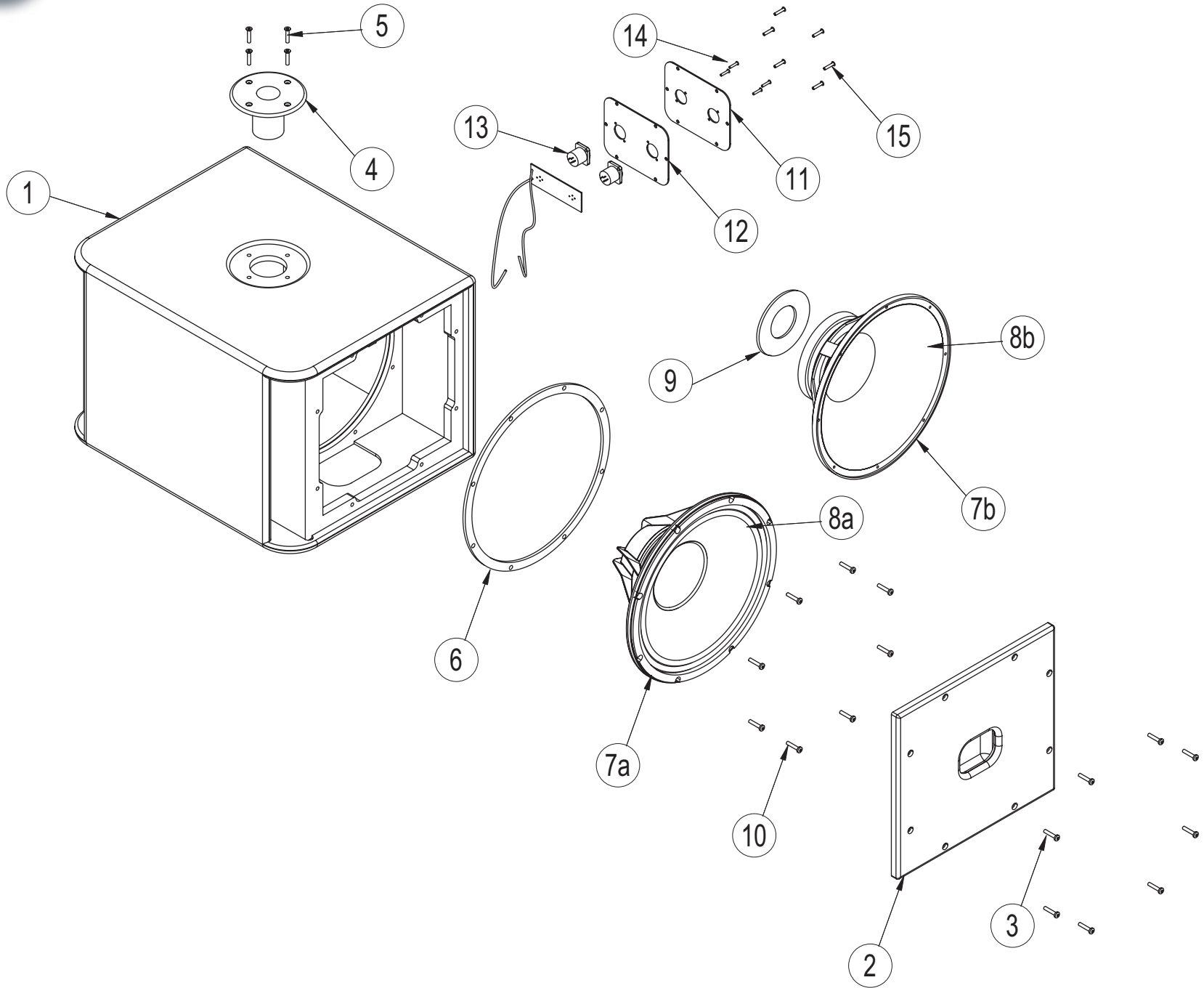
NEXO-SA
AFTER SALE DEPARTMENT
PARC DU PRE DE LA DAME JEANNE
60128 PLAILLY

FRANCE

Email : gilbert.laporte@nexo.fr

NEXO

INNOVATE



MARK	QUANTITY	ASSEMBLY	SUB ASSEMBLY	PART REFERENCE	DESIGNATION
LS.400					
1	1	05EBLS40		05EBLS40	CABINET LS.400 + ACCESSORIES
2	1		05COVER400	05COVER400	COVER LS400
3	8			05VXTCBX535N	BLACK TORX BUTTON HEAD SCREW 5X35
4	1			05AMDOUILLS40	PLATE DOUILLE LS400
5	4			05VXTCFX525N	BLACK TORX FLAT HEAD SCREW 5X25
6	1			05JNEOHPBLS40	BASS 12" DRIVER GASKET
7b	1		05HPB12	05HPB12	BASS SPEAKER 12" (4 ohm) BEFORE S/N 1317
8b	1			05N12-4R/K	RECONE KIT FOR BASS SPEAKER 12" LS400 BEFORE S/N 1317
9	1			05HPPLAQR38	BACK WASHER HP38
7a	1		05HPB12ND	05HPB12ND	BASS SPEAKER 12" NEODYNIUM (4 ohm) SINCE S/N 1317
8a	1			05N12ND-4R/K	RECONE KIT FOR BASS SPEAKER 12" NEODYNIUM SINCE S/N 1317
10	8			05VXTCBX525N	BLACK TORX BUTTON HEAD SCREW 5X25
11	1		05CNX400	05CNX400	CONNECTION PLATE LS400 WITH ARTWORK
12	1			05JNEOCNX	CNX GASKET PLATE
13	2			05CNXNL4MP	SPEAKON NL4 MP
14	4			05VRIV3.216N	ALUMINIUM RIVET BLACK 3.12X16
15	6			05VXTCBX525N	SCREW TORX BUTTOM HEAD 5X25 STAINLESS STEEL BLACK