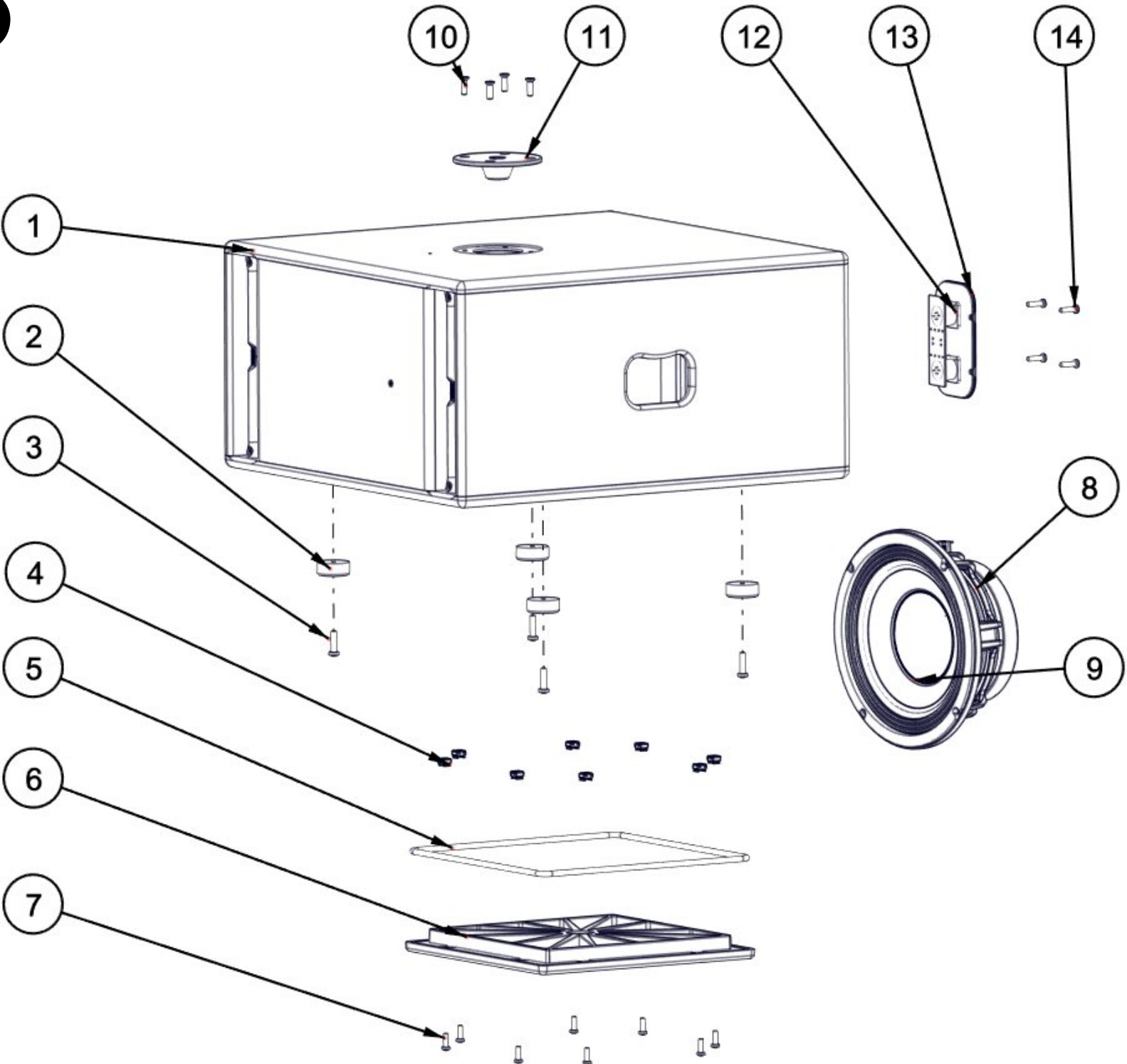


iDs110t

SPARE PARTS

NEXO



| MARK | QUANTITY | ASSEMBLY | SUB ASSEMBLY | PART REFERENCE | DESIGNATION |
|----------------|----------|---------------------|---------------------|------------------------|---|
| IDS110t | | | | | |
| 1 | 1 | 05EBIDS110TB | | 05EBIDS110TB | IDS110T BLACK EMPTY CABINET |
| | 1 | 05EBIDS110TW | | 05EBIDS110TW | IDS110T WHITE EMPTY CABINET |
| 2 | 4 | | | 05FTCC | SKID |
| 3 | 4 | | | 05VXTCBX625N-EM | BLACK TORX BUTTON HEAD SCREW 6x25. LOCTITE MEDIUM (x10) |
| 4 | 8 | | | 05VECRM5-2 | CAGE NUT M5 (x10) |
| 5 | 1 | | | 05JNEOID10T | GASKET COVER |
| 6 | 1 | | | 05PID10TRAP | BLACK COVER |
| | 1 | | | 05PID10TRAPW | WHITE COVER |
| 7 | 8 | | | 05VXTCBX516N-EL | BLACK TORX BUTTON HEAD SCREW 5X16. LOCTITE LIGHT (x10) |
| | 8 | | | 05VXTCBX516-EL | TORX BUTTON HEAD SCREW 5X16. LOCTITE LIGHT (x10) |
| 8 | 1 | | | 05HPB10-4F | BASS SPEAKER 10" (4 ohm) with gasket and screw |
| 9 | 1 | | | 05HPB10-4R/K | Recone Kit HPB10-4F |
| 10 | 4 | | | 05VXTCFX625N-EM | BLACK TORX FLAT HEAD SCREW 6x25. LOCTITE MEDIUM (x10) |
| | 4 | | | 05VXTCFX625-EM | TORX FLAT HEAD SCREW 6x25. LOCTITE MEDIUM (x10) |
| 11 | 1 | | | 05DOUILM20N | BLACK POLE MOUNTING M20 |
| | 1 | | | 05DOUILM20W | WHITE POLE MOUNTING M20 |
| 12 | 2 | | | 05CNXNL4MDV-1 | SPEAKON NL4MDV-1 |
| 13 | 1 | | 05IDS110-FPC | 05IDS110-FPC | IDS110 PLATE CONNECTION |
| 14 | 4 | | | 05VXTCBX520N-EL | BLACK TORX BUTTON HEAD SCREW 5X20. LOCTITE LIGHT (x10) |