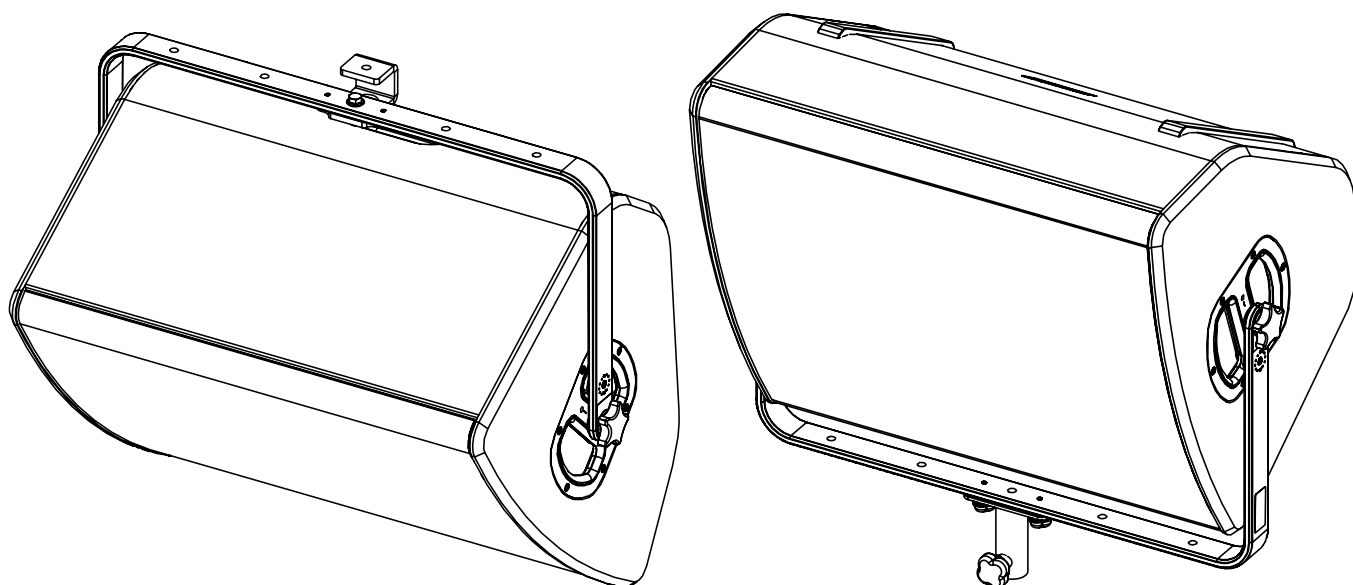
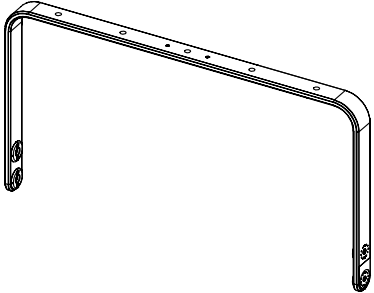
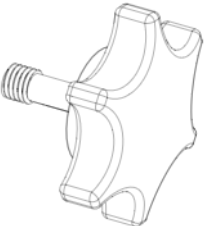
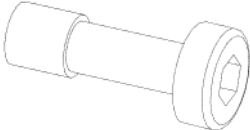



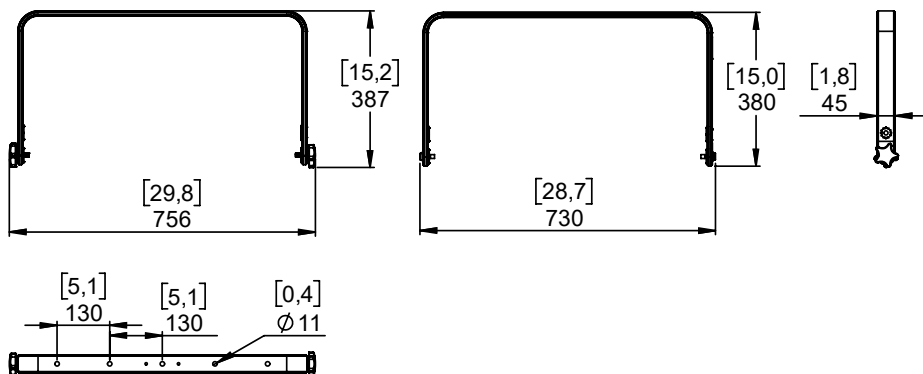
Horizontal bracket 680mm



Contents:

<p>X1</p> 	<p>X2 KNOBM10-P3783</p> 	<p>X2 VXTCHC-P4499 M10x30</p> 	<p>X2 VRA10N</p> 
---	---	--	--

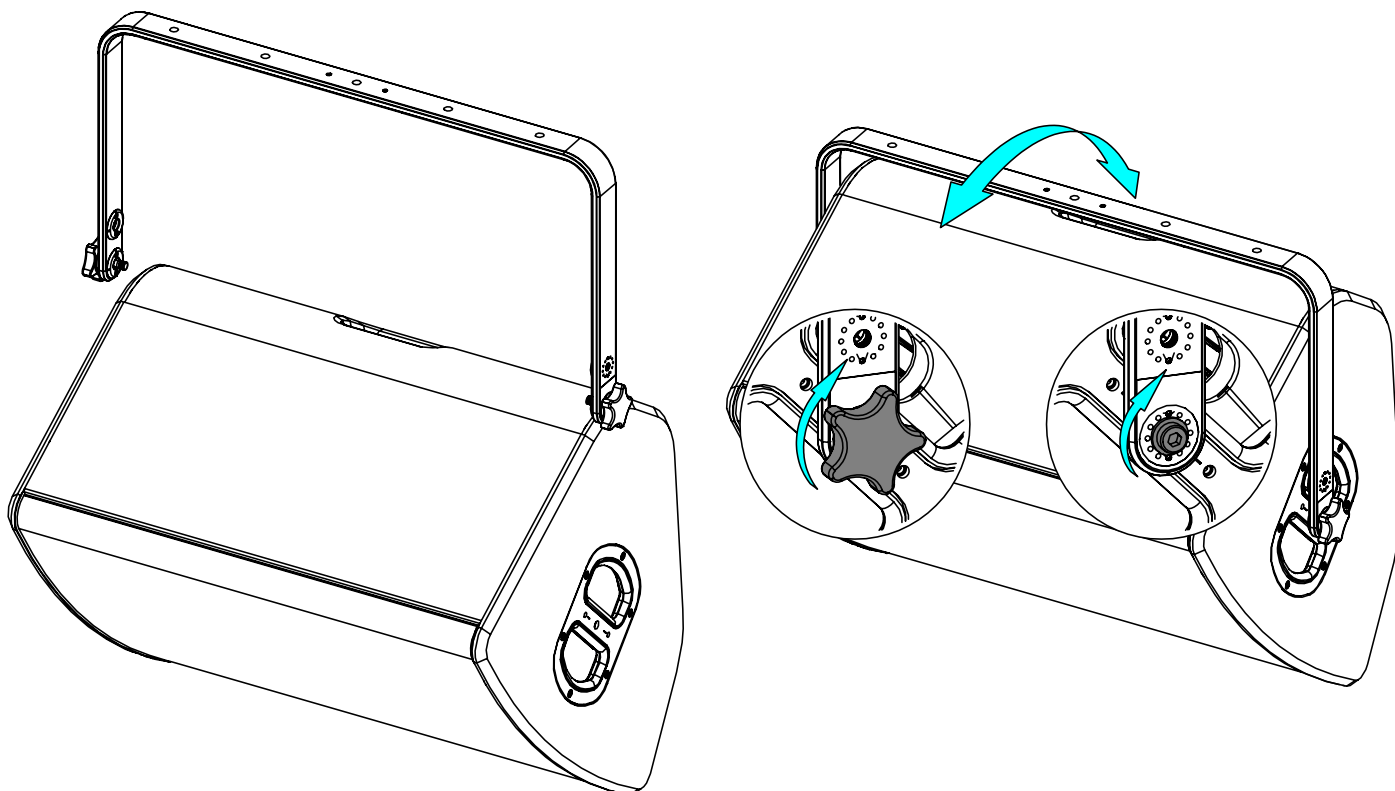
Weight: 2.2 kg / 4.9 lb

Dimensions:**Safety**

For permanent installation, use the provided thread lock coated screws. Please, select screws and mounting location supporting 4 times the system weight.

Use:

Place HBRK680 on P18, use only fasteners provided. Tight properly



Usable with VNI-CLADAPT / VNI-WMxxx / VNU-PLADAPT

WARNING

High force exerted on vertical mount section.
Use appropriate hardware fixings on all four mounting points with large washers or backplate to spread the load !

- NEXO cannot accept responsibility for accidents caused by any factor other than defects in this product itself.
- Please check the web site nexo-sa.com for the latest update.

NEXO

nexo-sa.com

ZA du Pre de la Dame Jeanne
60128 PLAILLY - France

- Read this document before using.
- Keep this document.
- Observe all warnings and cautions.

