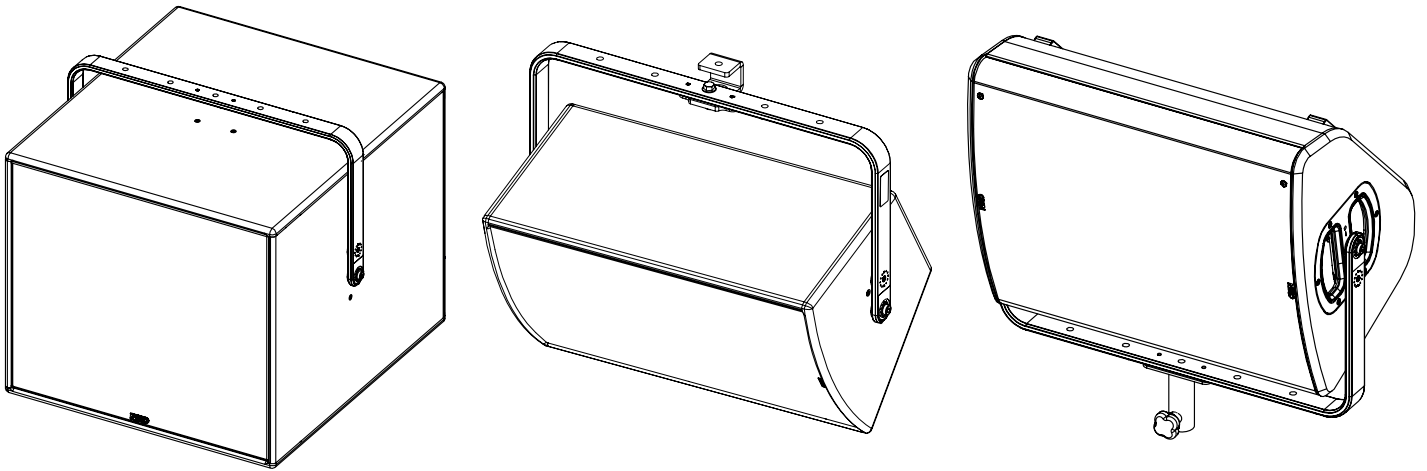


## Horizontal bracket 600mm



### Contents:

<p>X1</p>	<p>X2 KNOBM10-P3783</p>	<p>X2 VXTCHC-P4499 M10x30</p>	<p>X2 VRA10N</p>
-----------	-----------------------------	---------------------------------------	----------------------

Weight: 1.7 kg / 3.8 lb

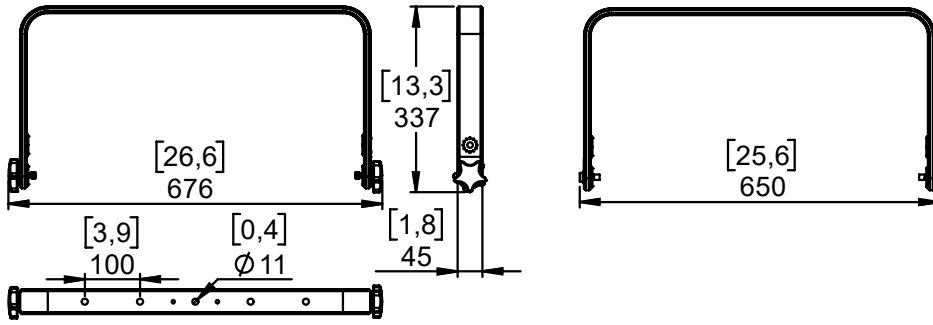


nexo-sa.com  
ZA du Pre de la Dame Jeanne  
60128 PLAILLY - France

- Read this document before using.
- Keep this document.
- Observe all warnings and cautions.



**Dimensions:**

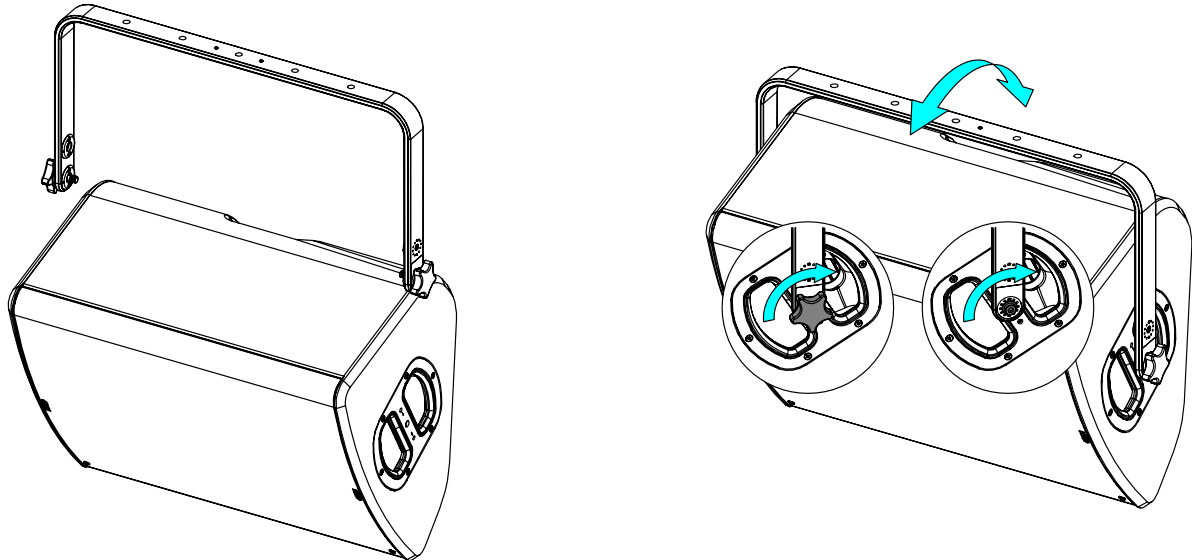


**Safety**

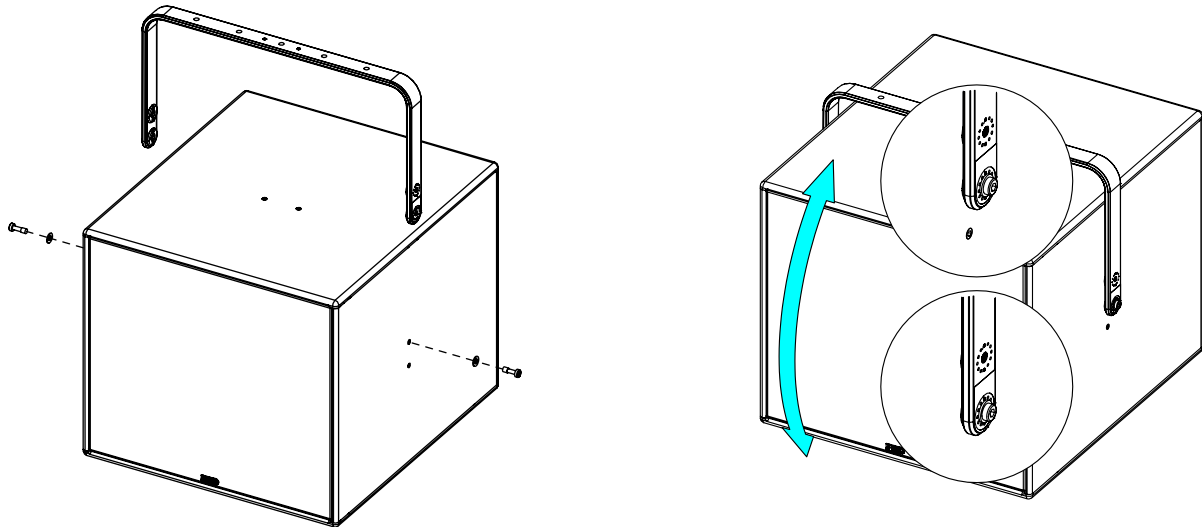
For permanent installation, use the provided thread lock coated screws. Please, select screws and mounting location supporting 4 times the system weight.

**Use:**

Place HBRK600 on P15 or ePS12, use only fasteners provided. Tight properly



Place HBRK600 on eLS18 (only one position), use only fasteners provided. Tight properly



Usable with VNI-CLADAPT / VNI-WMxxx / VNU-PLADAPT

**WARNING**

High force exerted on vertical mount section.

Use appropriate hardware fixings on all four mounting points with large washers or backplate to spread the load !

- NEXO cannot accept responsibility for accidents caused by any factor other than defects in this product itself.
- Please check the web site [nexo-sa.com](http://nexo-sa.com) for the latest update.



nexo-sa.com  
ZA du Pre de la Dame Jeanne  
60128 PLAILLY - France

- Read this document before using.
- Keep this document.
- Observe all warnings and cautions.

