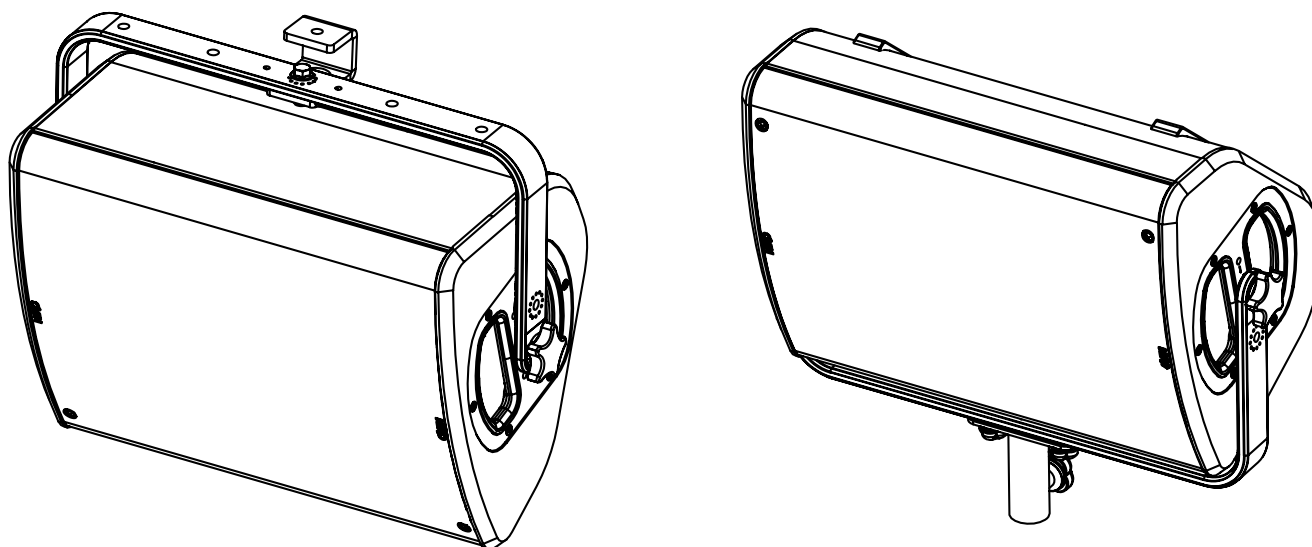


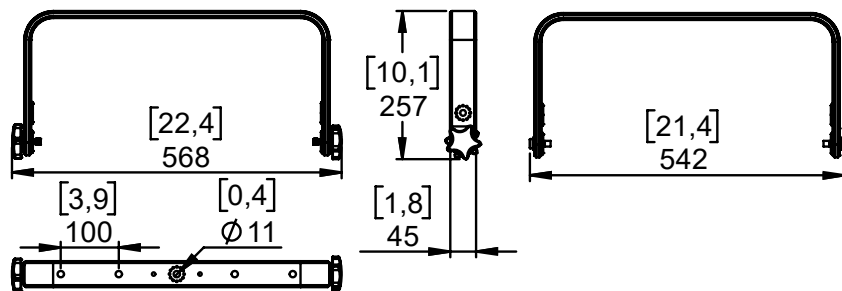
## Horizontal bracket 500mm



### Contents:

<p><b>X1</b></p>	<p><b>X2</b> KNOBM10-P3783</p>	<p><b>X2</b> VXTCHC-P4449 M10x30</p>	<p><b>X2</b> VRA10N</p>
------------------	------------------------------------	--	-----------------------------

**Weight: 1.4 kg / 3.1 lb**

**Dimensions:****Safety**

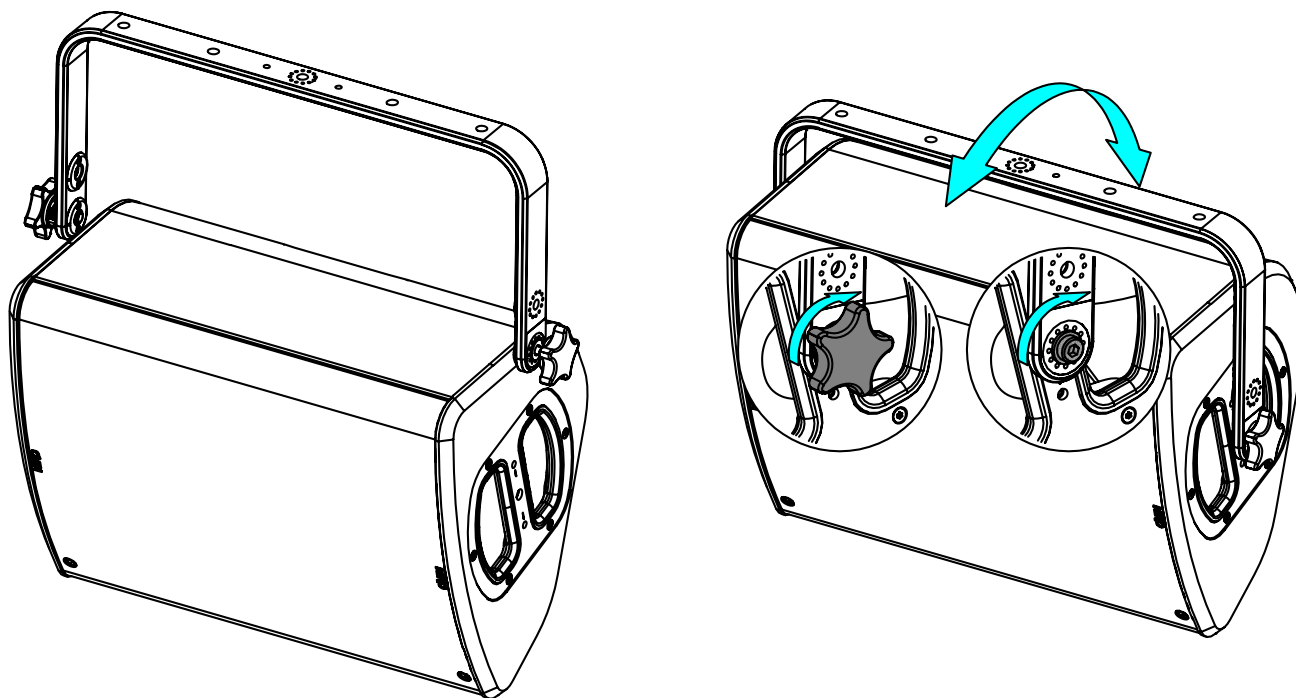
For permanent installation, use the provided thread lock coated screws.

Please, select screws and mounting location supporting 4 times the system weight.

Inspect bolted assemblies periodically.

**Use:**

Place HBRK500 on P10, use only fasteners provided. Tight properly.



Usable with VNI-CLADAPT / VNI-WMxxx / VNU-PLADAPT

**WARNING**

High force exerted on vertical mount section.

Use appropriate hardware fixings on all four mounting points with large washers or backplate to spread the load !

- NEXO cannot accept responsibility for accidents caused by any factor other than defects in this product itself.
- Please check the web site [nexo-sa.com](http://nexo-sa.com) for the latest update.

# NEXO

nexo-sa.com

ZA du Pre de la Dame Jeanne  
60128 PLAILLY - France

- Read this document before using.
- Keep this document.
- Observe all warnings and cautions.

