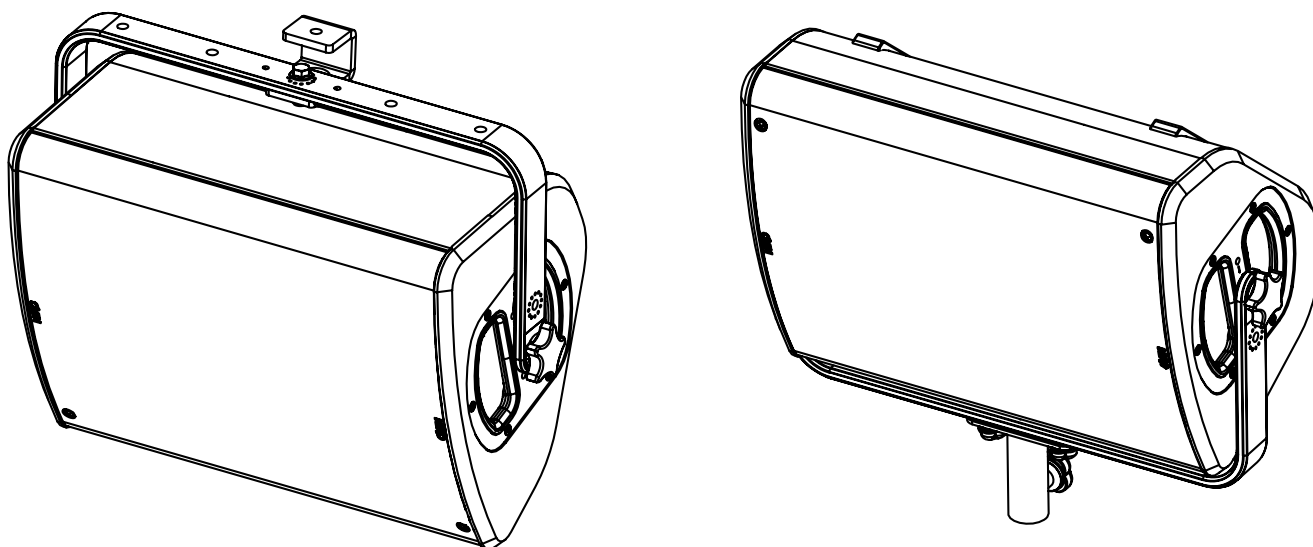
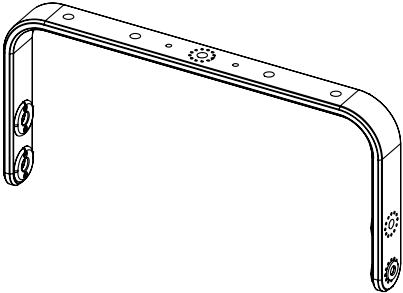
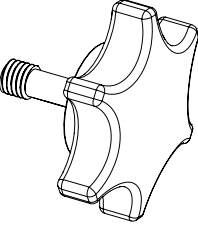
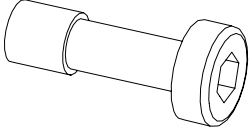
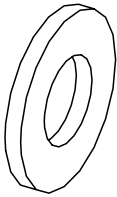


Horizontal bracket 500mm

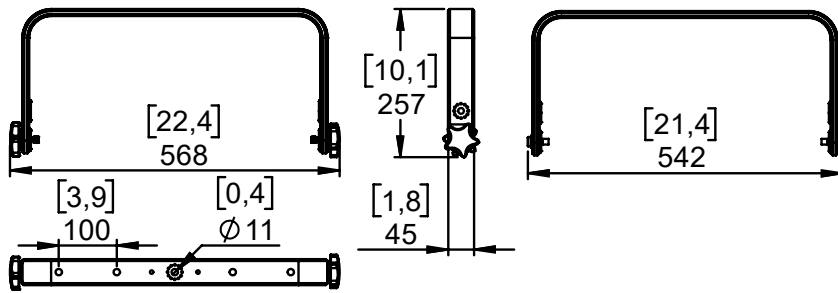


Contents:

 <p>X1</p>	 <p>X2</p>	 <p>X2</p>	 <p>X2</p>
--	---	--	---

Weight: 1.4 kg / 3.1 lb

Dimensions:

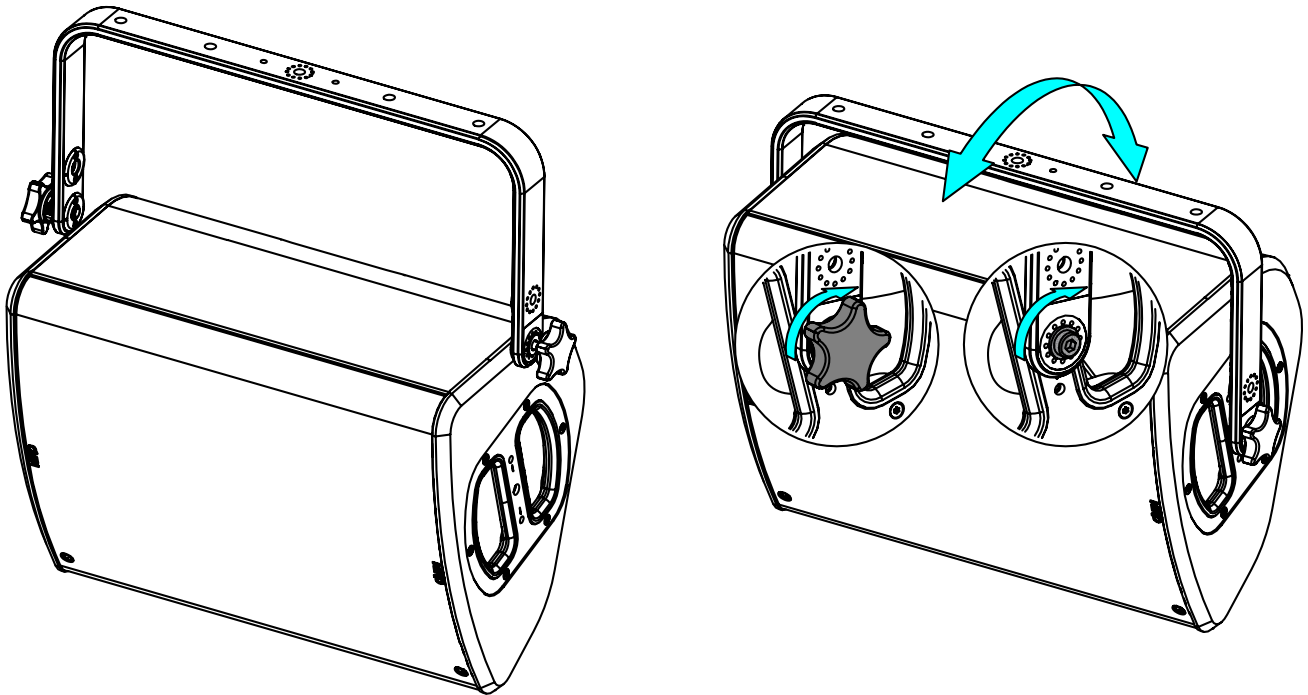


Safety

For permanent installation, use the provided thread lock coated screws.
Please, select screws and mounting location supporting 4 times the system weight.
Inspect bolted assemblies periodically.

Use:

Place HBRK500 on P10, use only fasteners provided. Tight properly.



Usable with VNI-CLADAPT / VNI-WMxxx / VNU-PLADAPT

- NEXO cannot accept responsibility for accidents caused by any factor other than defects in this product itself.
- Please check the web site nexo-sa.com for the latest update.

NEXO

nexo-sa.com
ZA du Pre de la Dame Jeanne
60128 PLAILLY - France

- Read this document before using.
- Keep this document.
- Observe all warnings and cautions.

