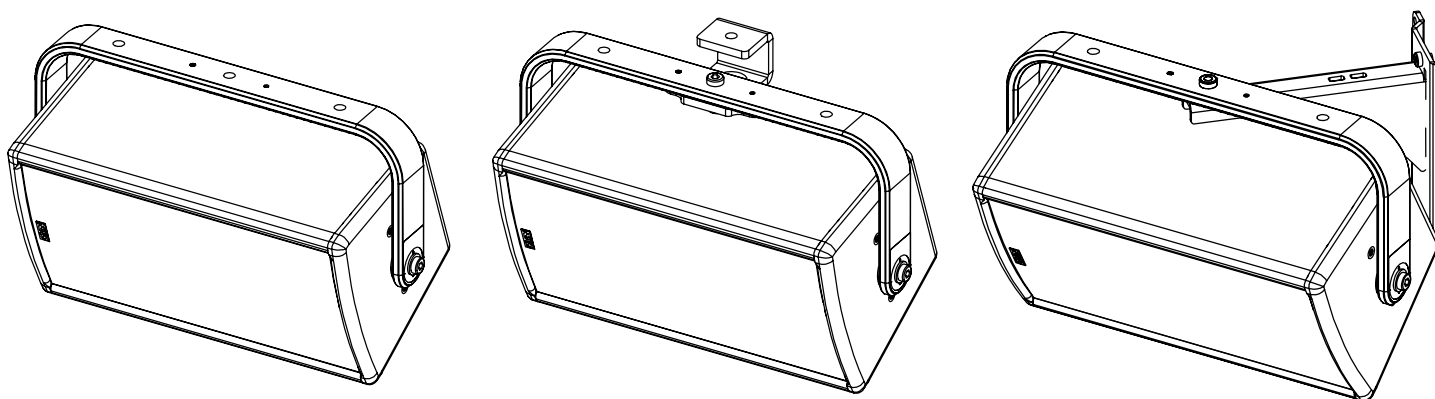
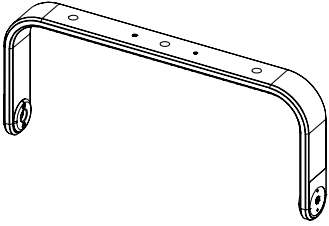
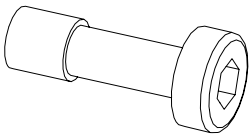
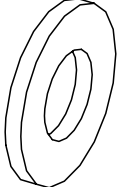


Horizontal bracket 365mm

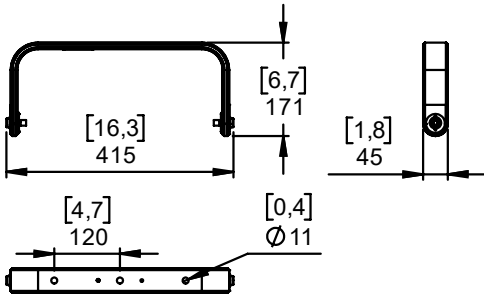


Contents:

<p>X1</p> 	<p>X2 VXTCHC-P4449 M10x30</p> 	<p>X2 VRA10N</p> 
---	---	--

Weight: 1 kg / 2.2 lb

Dimensions:

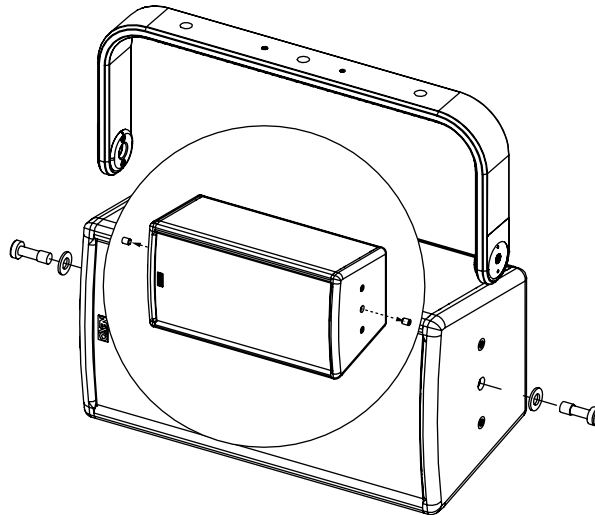


Safety

For permanent installation, use the provided thread lock coated screws.
 Please, select screws and mounting location supporting 4 times the system weight.
 Inspect bolted assemblies periodically.

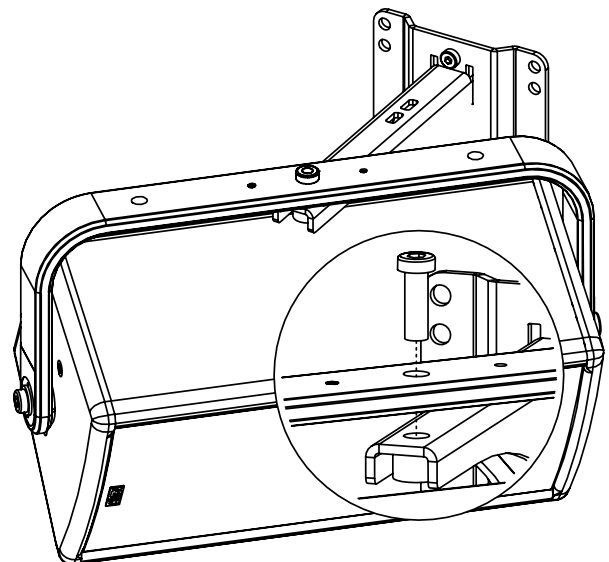
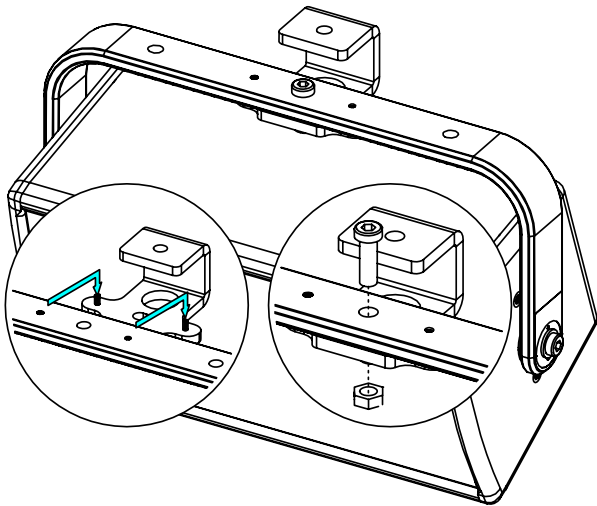
Use:

Remove the M10 inserts from each side.
 Place HBRK365 on ePS6, use only fasteners provided. Tight properly.



Place on CLADAPT, use the 2 guides. Tight with the fasteners provided with CLADAPT.

Place on WM200. Tight with the screw provided with WM200.



WARNING

High force exerted on vertical mount section.
 Use appropriate hardware fixings on all three mounting points with large washers or backplate to spread the load !

- NEXO cannot accept responsibility for accidents caused by any factor other than defects in this product itself.
- Please check the web site nexo-sa.com for the latest update.