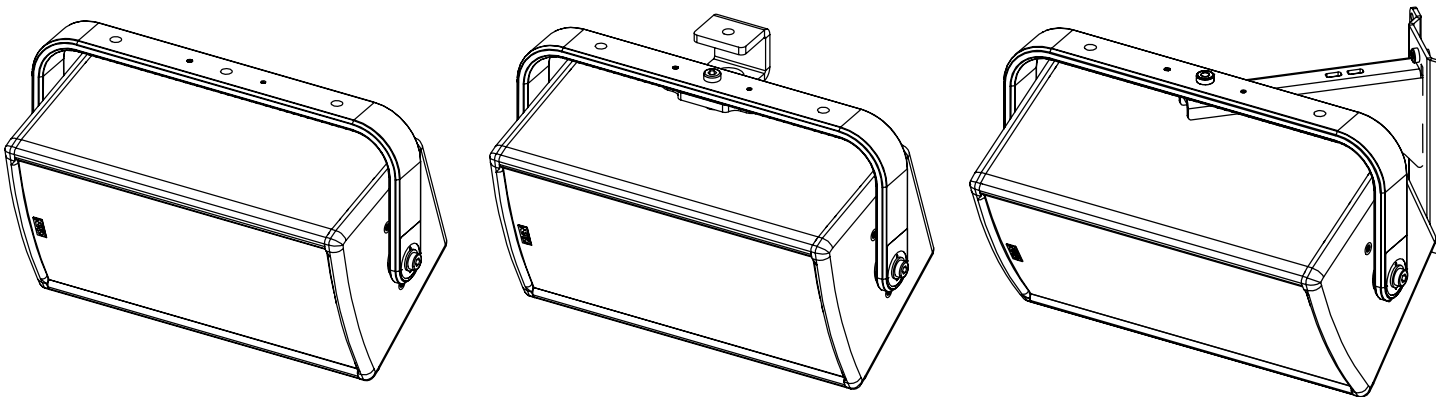
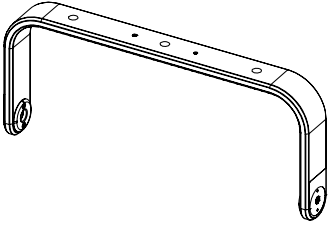
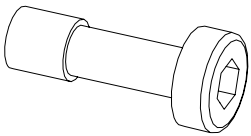
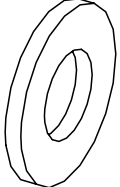


## Horizontal bracket 365mm

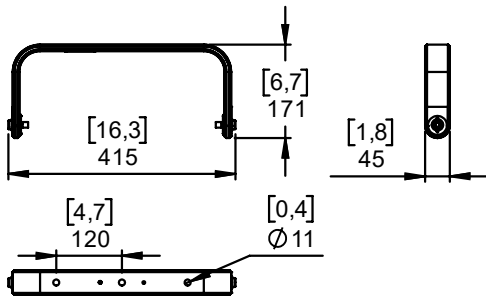


### Contents:

<p>X1</p> 	<p>X2</p> <p>VXTCHC-P4449</p> <p>M10x30</p> 	<p>X2</p> <p>VRA10N</p> 
---	---	---

Weight: 1 kg / 2.2 lb

## Dimensions:



## Safety

For permanent installation, use the provided thread lock coated screws.

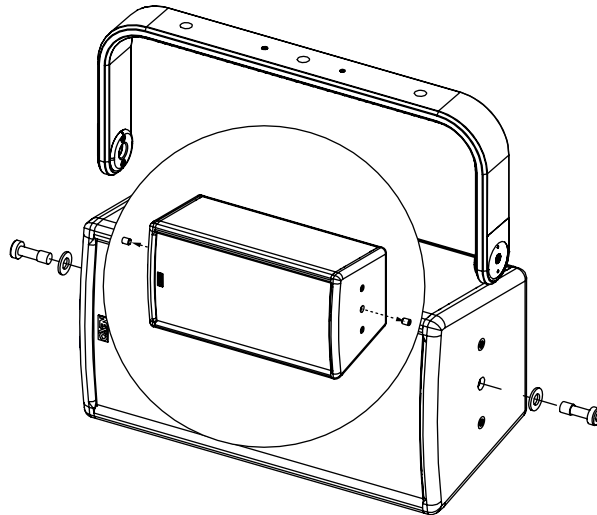
Please, select screws and mounting location supporting 4 times the system weight.

Inspect bolted assemblies periodically.

## Use:

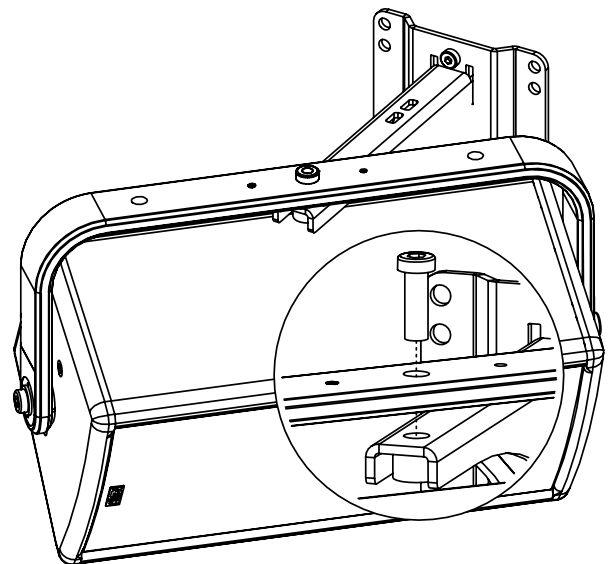
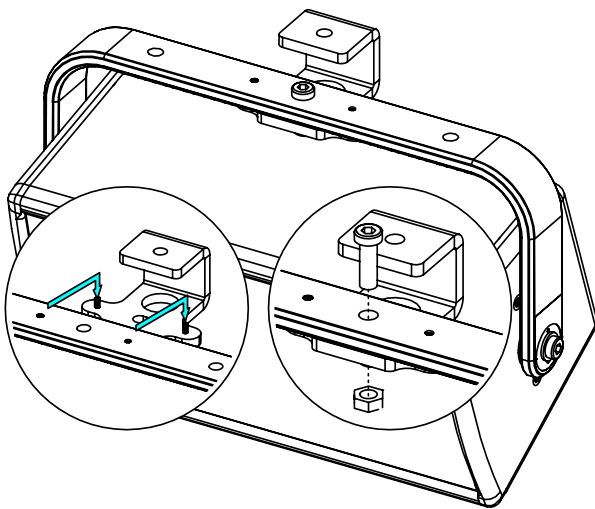
Remove the M10 inserts from each side.

Place HBRK365 on ePS6, use only fasteners provided. Tight properly.



Place on CLADAPT, use the 2 guides. Tight with the fasteners provided with CLADAPT.

Place on WM200. Tight with the screw provided with WM200.



- NEXO cannot accept responsibility for accidents caused by any factor other than defects in this product itself.
- Please check the web site [nexo-sa.com](http://nexo-sa.com) for the latest update.

# NEXO

nexo-sa.com  
ZA du Pre de la Dame Jeanne  
60128 PLAILLY - France

- Read this document before using.
- Keep this document.
- Observe all warnings and cautions.

