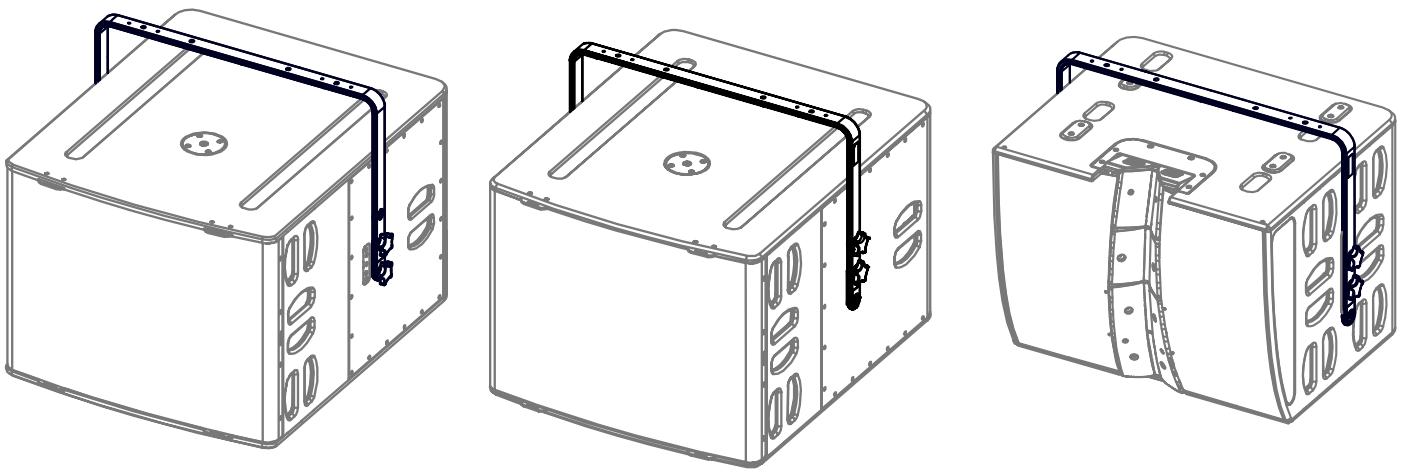
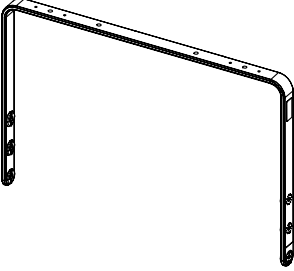
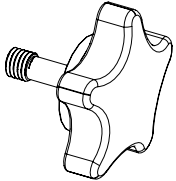
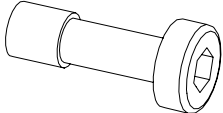



# Horizontal Bracket for B218/L20/M210

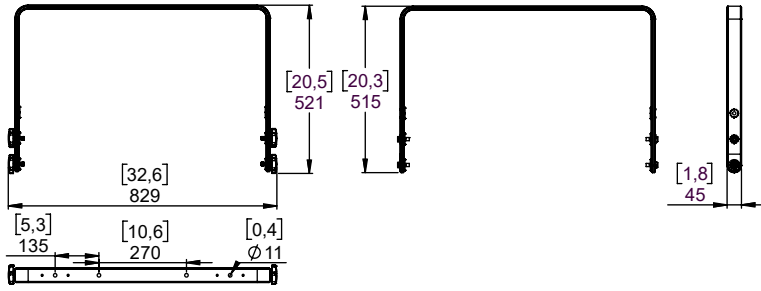


**Contents:**

<p>X1</p> 	<p>X4 KNOBM10-P3783</p> 	<p>X4 VXTCHC-P4449</p> 	<p>X4 VRA10N (M10)</p> 
---	---	---	--

**Weight: 2.7 kg / 6 lb**

**Dimensions:**

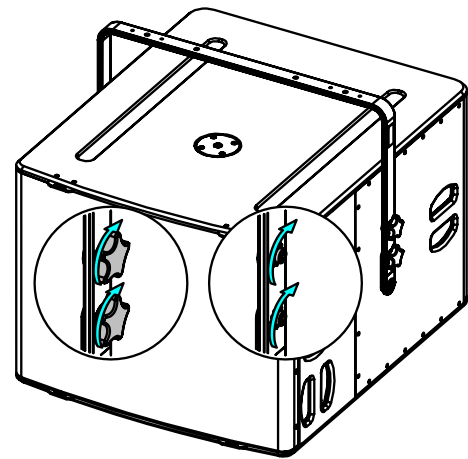
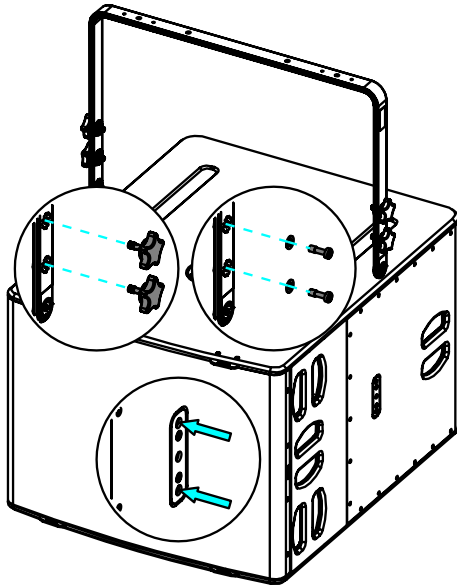


**Safety**

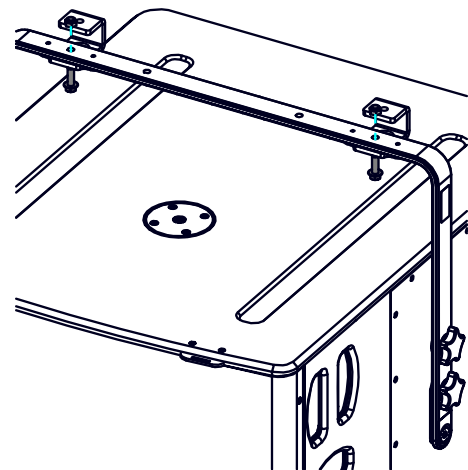
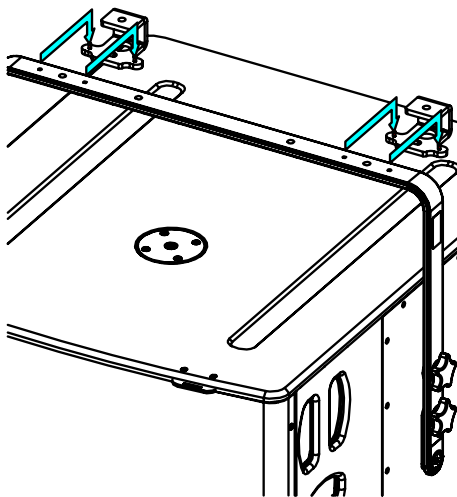
For permanent installation, use the provided thread lock coated screws.  
Please, select screws and mounting location supporting 4 times the system weight

**Assembly:**

Place HBRK01 (low or high position of the bracket) on B218, L20 or M210, use only fasteners provided. Tight properly.



Place on CLADAPT, use the 2 guides. Tight with the fasteners provided with CLADAPT



**WARNING**  
With B218, the innermost hanging points are not permitted!

- NEXO cannot accept responsibility for accidents caused by any factor other than defects in this product itself.
- Please check the web site [nexo-sa.com](http://nexo-sa.com) for the latest update.