

# VNU-BUMP (PNT-BUMP)

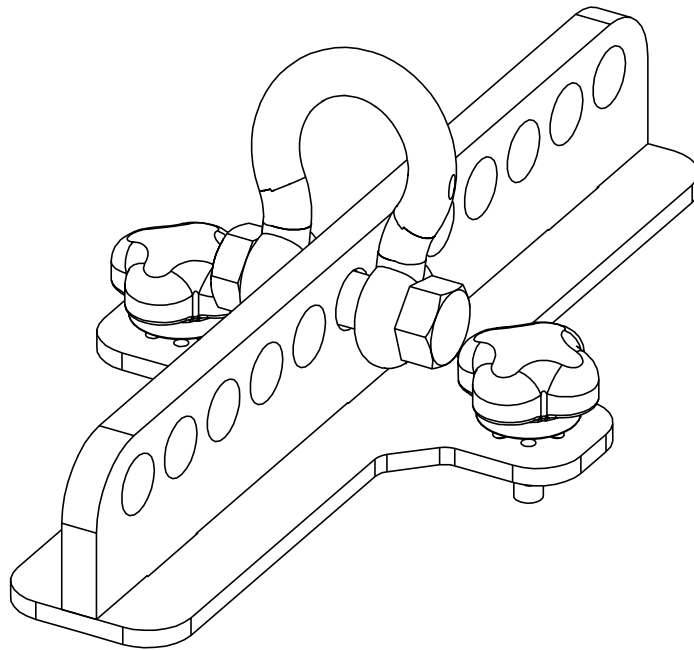
DP6106 – 01d - DI

# NEXO

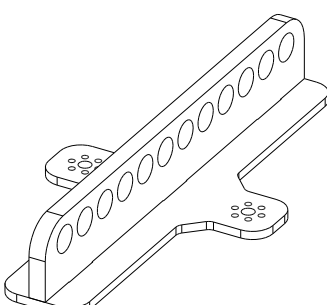
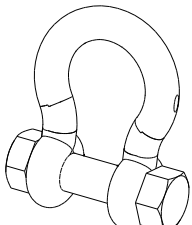
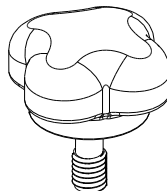
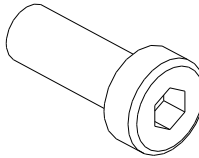
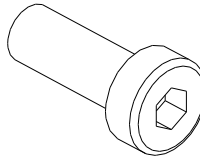
**εPs**

**+series**

## Bumper



### Contents:

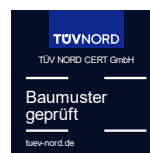
<p><b>X1</b></p> 	<p><b>X1</b> MANI1.00T</p> 	<p><b>X2</b> KNOBM6</p> 	<p><b>X2</b> VXTCHC6x16 (Use With Pserie)</p> 	<p><b>X2</b> VXTCHC6x25 (Use With ePS)</p> 
---	--	---	---	--

**Weight: 1 kg / 2.2 lb**

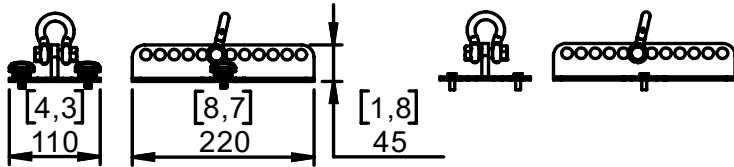
# NEXO

nexo-sa.com  
ZA du Pre de la Dame Jeanne  
60128 PLAILLY - France

- Read this document before using.
- Keep this document.
- Observe all warnings and cautions.



**Dimensions:**



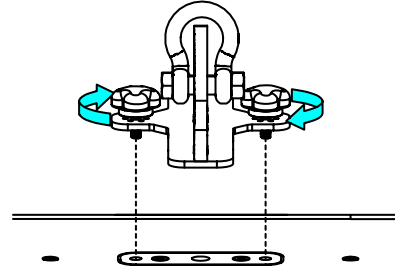
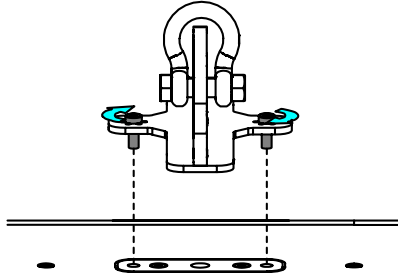
**Safety**

Use shackle model: Alloy Bolt Type Shackle 1 ton.  
For permanent installation, use the provided thread lock coated screws.

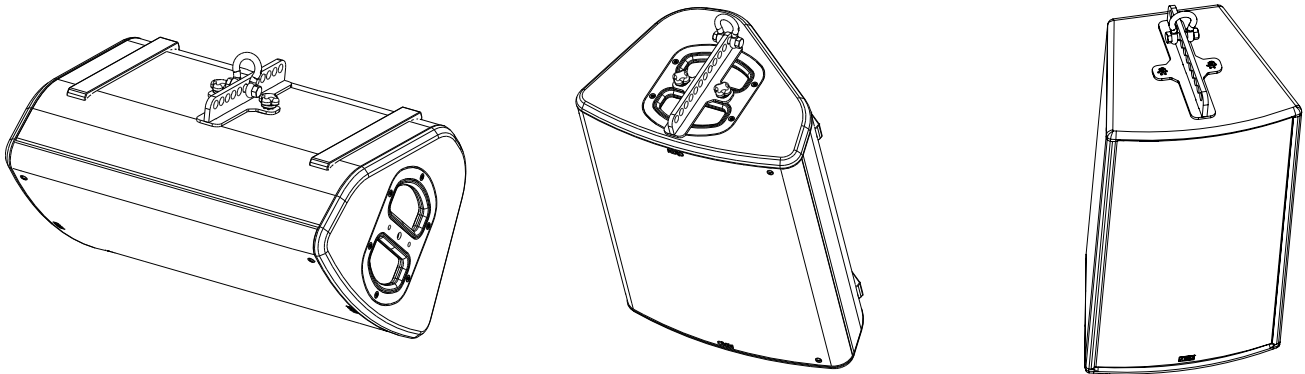
**Use:**

For fixed installation, only use the provided screws (thread lock coated).

For Touring, only use the provided shackle.



**Operating locations:**



**Angles available (+/- 1°) – Measurement between the horizontal plane and the axis of the cabinet (without flange).**

Hole from the front of the cabinet		1	2	3	4	5	6	7	8	9	10	11	12
<b>εPs6</b>	V Position	+25	+22	+18	+14	+9	+3	-1	-6	-11	-15	-19	-23
<b>εPs8</b>	V Position	+23	+19	+15	+10	+6	+1	-3	-8	-12	-15	-20	-24
<b>εPs10</b>	V Position	+18	+14	+11	+7	+4	0	-2	-6	-9	-13	-16	-19
<b>εPs12</b>	V Position	+18	+16	+12	+9	+6	+4	0	-3	-6	-9	-12	-15
<b>ϕ8</b>	H Position	-22	-27	-33	-38	-45	-52	-59	-66	-73	-79	-84	-89
	V Position	+24	+21	+17	+13	+9	+5	0	-3	-8	-12	-17	-21
<b>ϕ10</b>	H Position	-20	-25	-30	-35	-40	-47	-54	-60	-66	-71	-77	-83
	V Position	+19	+15	+11	+7	+5	0	-2	-6	-10	-14	-18	-21
<b>ϕ12</b>	H Position	-21	-25	-30	-35	-40	-44	-52	-58	-64	-70	-75	-80
	V Position	+20	+17	+13	+10	+6	+3	0	-4	-7	-11	-14	-17
<b>ϕ15</b>	H Position	-23	-27	-32	-36	-42	-48	-53	-60	-64	-69	-74	-80
	V Position	+17	+15	+13	+10	+7	+4	0	-2	-6	-8	-12	-15
<b>ϕ18</b>	H Position	-27	-29	-35	-39	-44	-49	-52	-56	-60	-63	-69	-71
	V Position	+19	+16	+14	+11	+8	+5	+2	+1	-4	-7	-9	-12

- NEXO cannot accept responsibility for accidents caused by any factor other than defects in this product itself.
- Please check the web site [nexo-sa.com](http://nexo-sa.com) for the latest update.