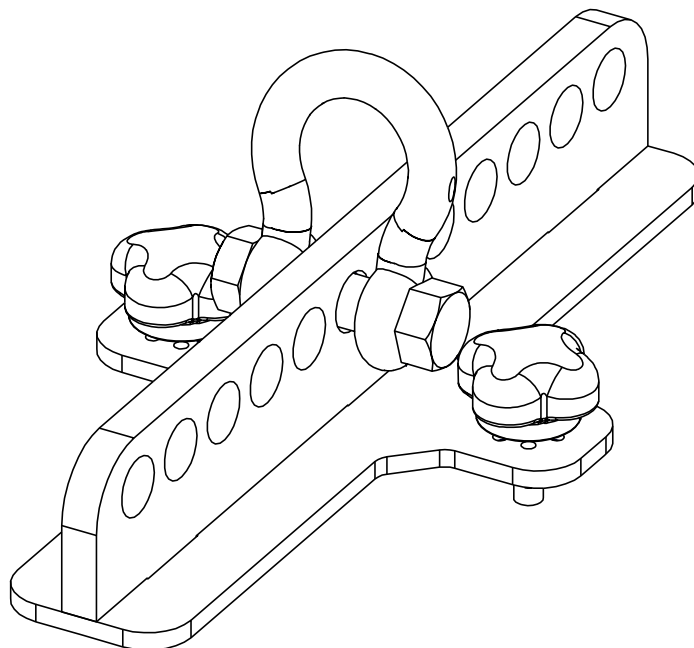


VNU-BUMP (PNT-BUMP)

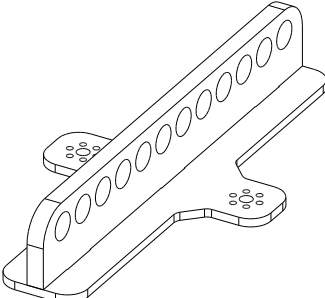
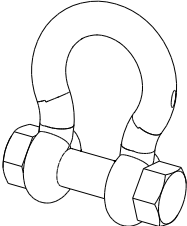
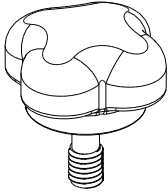
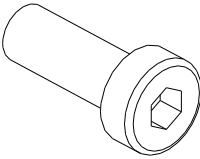
DP6106 – 01a - DI



Bumper



Contents:

<p>X1</p> 	<p>X1 MANI1.00T</p> 	<p>X2 KNOBM6</p> 	<p>X2 VXTCHC6x16</p> 
---	---	---	--

Weight: 1 kg / 2.2 lb

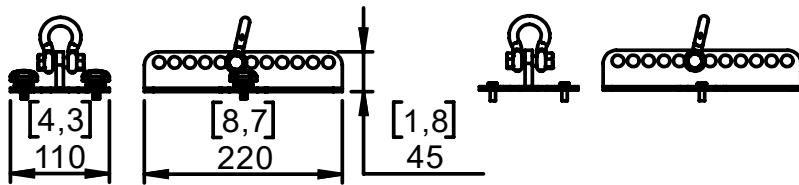


nexo-sa.com
ZA du Pre de la Dame Jeanne
60128 PLAILLY - France

- Read this document before using.
- Keep this document.
- Observe all warnings and cautions.



Dimensions:



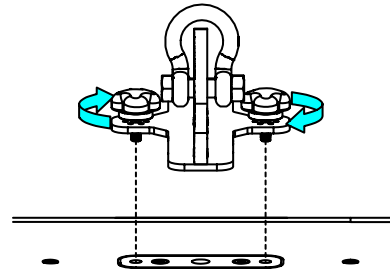
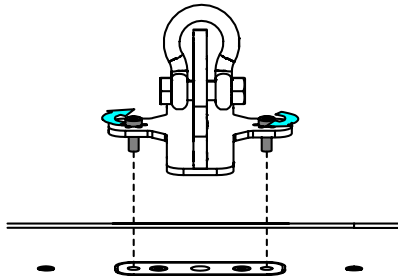
Safety

Use shackle model: Alloy Bolt Type Shackle 1 ton.
For permanent installation, use the provided thread lock coated screws.

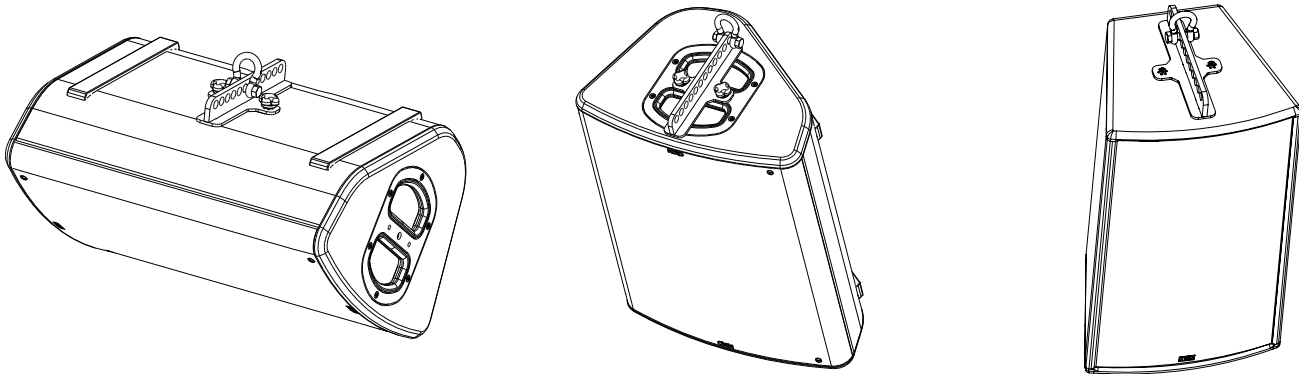
Use:

For fixed installation, only use the provided screws (thread lock coated).

For Touring, only use the provided shackle.



Operating locations:



Angles available (+/- 1°)

Hole from the front of the cabinet		1	2	3	4	5	6	7	8	9	10	11	12
εPs6	V Position	+25	+22	+18	+14	+9	+3	-1	-6	-11	-15	-19	-23
	H Position	-10	-15	-21	-29	-37	-46	-52	-59	-65	-72	-77	-81
εPs8	V Position	+23	+19	+15	+10	+6	+1	-3	-8	-12	-15	-20	-24
	H Position	-16	-11	-17	-21	-29	-34	-41	-47	-54	-60	-66	-70
εPs10	V Position	+18	+14	+11	+7	+4	0	-2	-6	-9	-13	-16	-19
	H Position	-8	-12	-17	-23	-28	-33	-39	-46	-51	-57	-63	-68
εPs12	V Position	+18	+16	+12	+9	+6	+4	0	-3	-6	-9	-12	-15
	H Position	-11	-15	-20	-25	-29	-36	-41	-47	-53	-58	-62	-68
⊕8	V Position	+24	+21	+17	+13	+9	+5	0	-3	-8	-12	-17	-21
	H Position	-19	+15	+11	+7	+5	0	-2	-6	-10	-14	-18	-21
⊕10	V Position	+20	+17	+13	+10	+6	+3	0	-4	-7	-11	-14	-17
	H Position	-17	+15	+11	+7	+5	0	-2	-6	-10	-14	-18	-21
⊕12	V Position	+17	+15	+13	+10	+7	+4	0	-2	-6	-8	-12	-15
	H Position	-11	-15	-20	-25	-29	-36	-41	-47	-53	-58	-62	-68
⊕15	V Position	+17	+15	+13	+10	+7	+4	0	-2	-6	-8	-12	-15
	H Position	-11	-15	-20	-25	-29	-36	-41	-47	-53	-58	-62	-68

- NEXO cannot accept responsibility for accidents caused by any factor other than defects in this product itself.
- Please check the web site nexo-sa.com for the latest update.

NEXO

nexo-sa.com
ZA du Pre de la Dame Jeanne
60128 PLAILLY - France

- Read this document before using.
- Keep this document.
- Observe all warnings and cautions.

