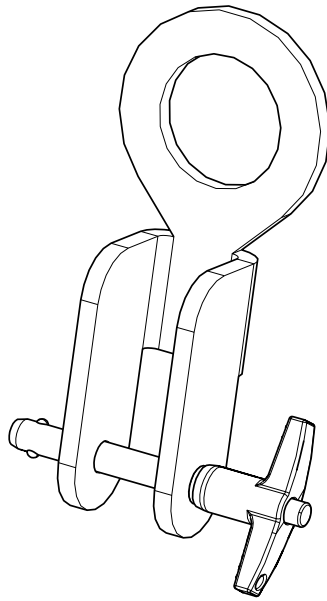
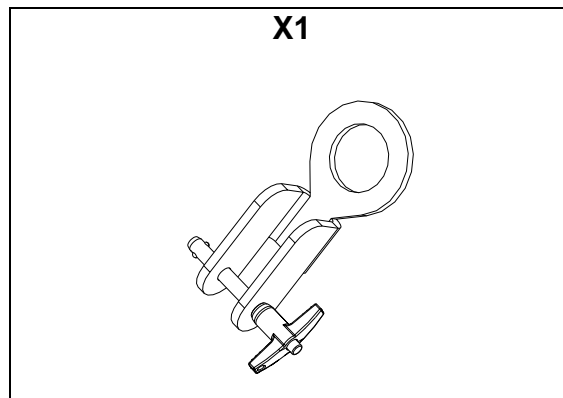


Lifting Ring

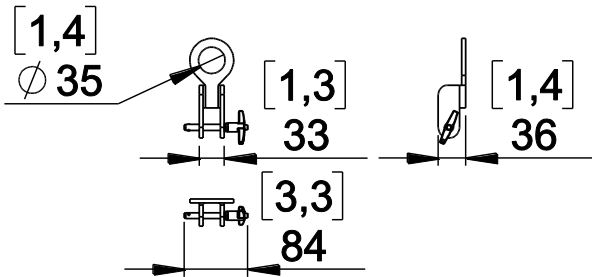


Contents:

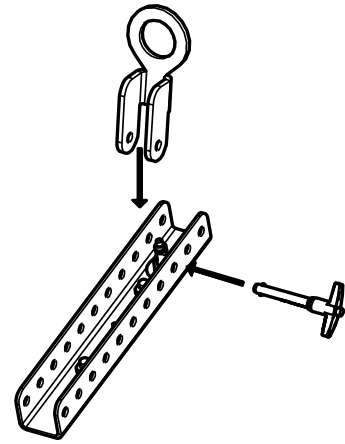


Weight: 0.35 kg / 0.8 lb

Dimensions:

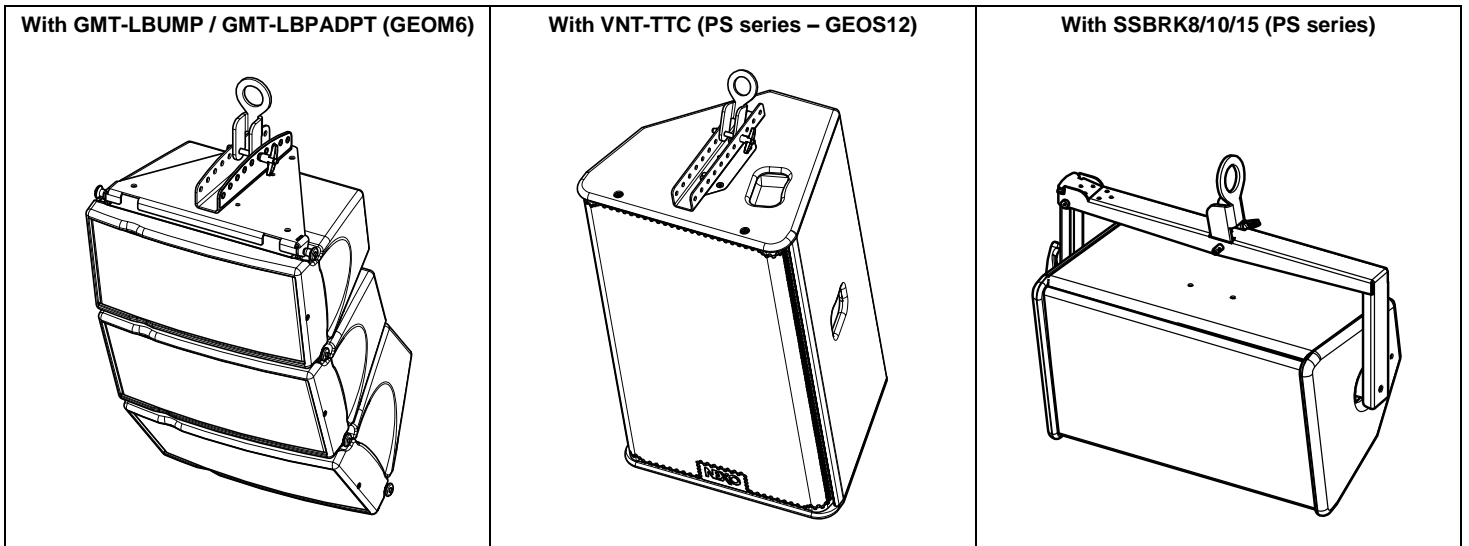


Assembly:



- Connect Lifting ring to flying bar by inserting 8x45 quick release pin in required holes for proper vertical aiming;
- Ensure lifting ring is properly locked to flying bar;
- Connect assembly to suspension point and secure with sling and shackle (not provided);

Use:



- NEXO cannot accept responsibility for accidents caused by any factor other than defects in this product itself.
- Please check the web site nexo-sa.com for the latest update.

NEXO

nexo-sa.com
ZA du Pre de la Dame Jeanne
60128 PLAILLY - France

- Read this document before using.
- Keep this document.
- Observe all warnings and cautions.

