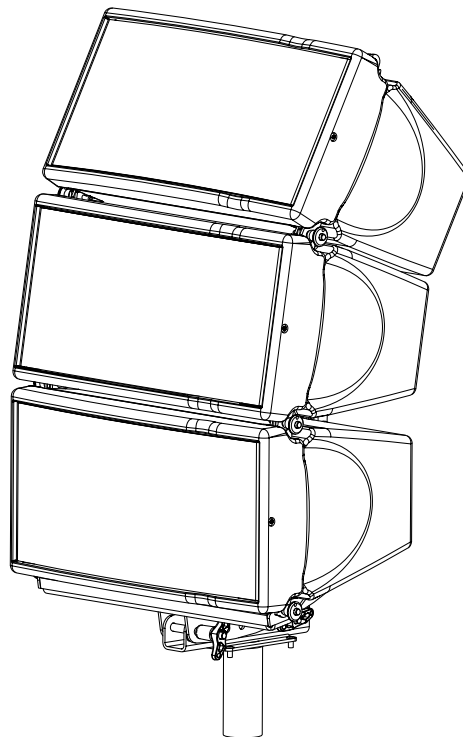
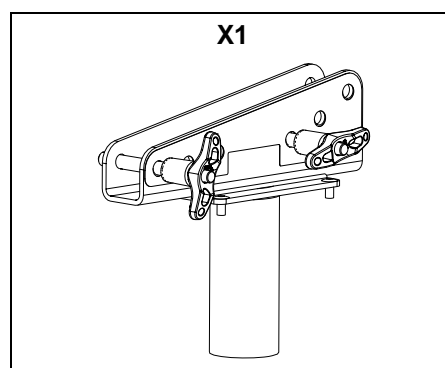


Pole Mount Adapter for GEOM6

For speaker stand 35mm diameter

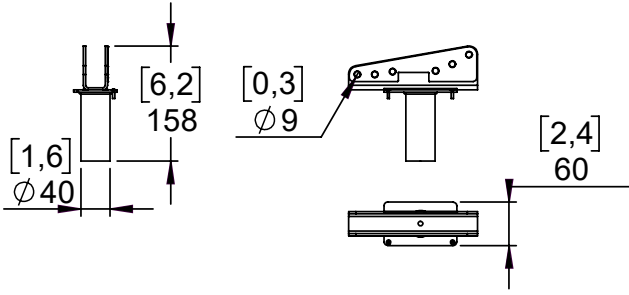


Contents:



Weight: 0.9 kg / 2.2 lb

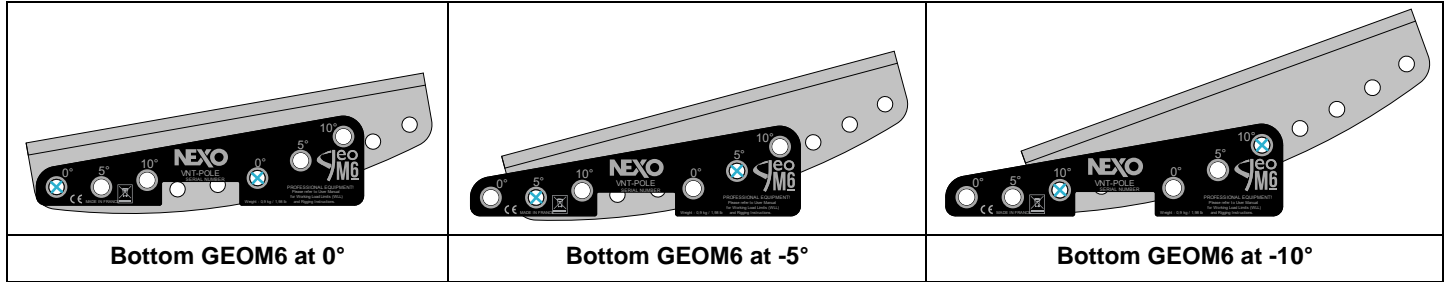
Dimensions:



!!! USED 3x Geo M6 max

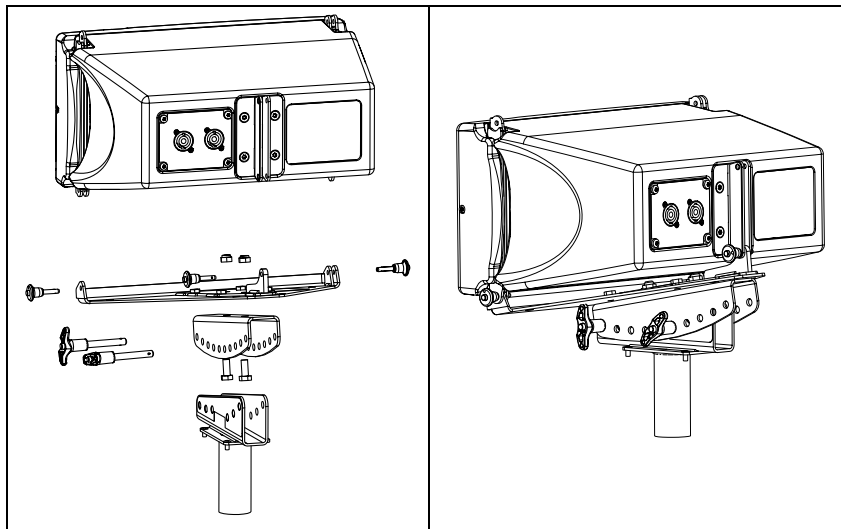
Procedure

- Attach the GMT-LBPADPT to the GMT-LBUMP by using the screws, washers and bolts provided with GMT-LBPADPT;
- Use the 2 pins provided with VNT-POLE to attach GMT-LBUMP at required vertical angle, according to below drawings;



Use with GMT-LBUMP – GMT-LBADPT:

- Connect bottom cabinet to GMT-LBUMP with VXT-BL515 or GMI-BNFIK;
- Lift assembly on speaker stand;
- Connect subsequent cabinets at required inter-angle values;



IMPORTANT
 Ensure all pins (VXT-BL515 or GMI-BNFIK) are properly locked
 Check NS-1 for mechanical Safety Working Load

- NEXO cannot accept responsibility for accidents caused by any factor other than defects in this product itself.
- Please check the web site nexo-sa.com for the latest update.



nexo-sa.com
 ZA du Pre de la Dame Jeanne
 60128 PLAILLY - France

- Read this document before using.
- Keep this document.
- Observe all warnings and cautions.

