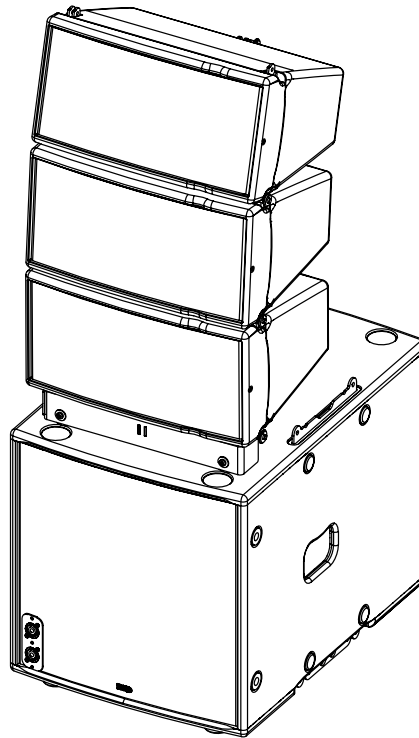
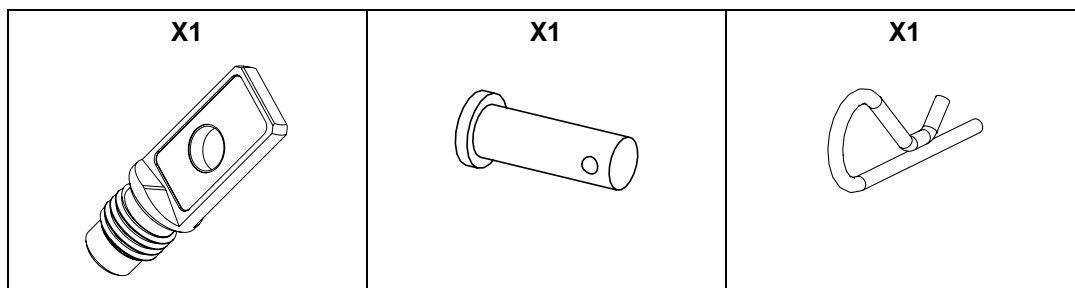


Stacking option for GEOM6 on top of MSUB12

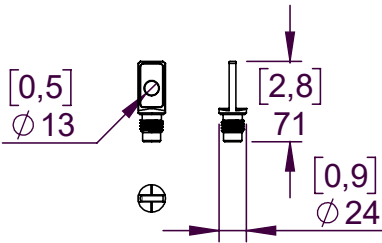


Contents:



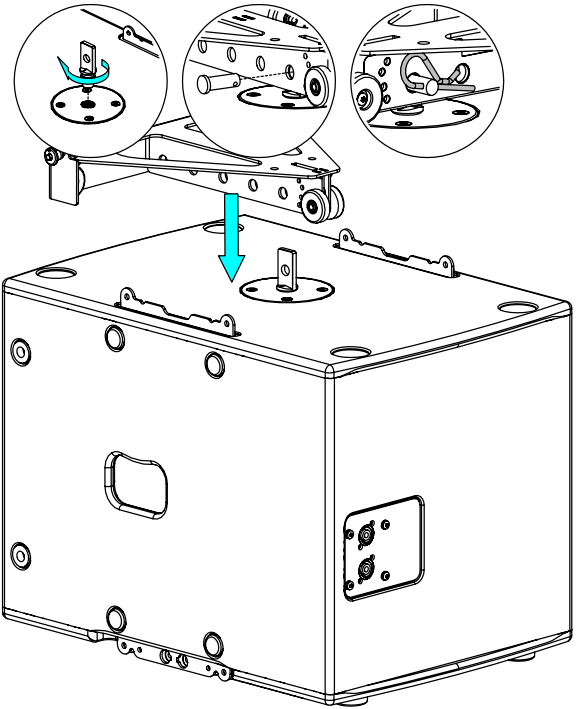
Weight: 0.14 kg / 0.31 lb

Dimensions:

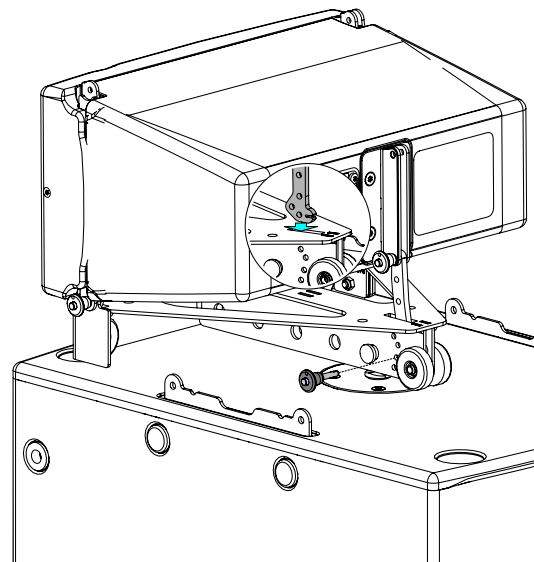
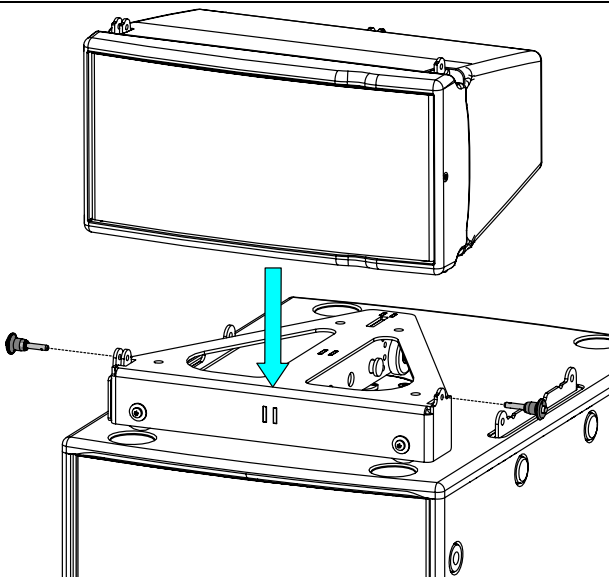


Use:

Place MNSTKM6 in the M20 Footprint of the MSUB12.
 Place GMT-BUMPER above MSUB12 and align one hole of it with MNSTKM6.
 Insert the clevis pin and secure with "R" clip.



Connect bottom cabinet to GMT-BUMPER at required vertical angle with 4 x VXT-BL515 quick release pins
 NB: Bottom cabinet angle can be adjusted from -7° to 0° in relation to MSUB12.
 Connect subsequent cabinets at required inter-angle values with 4x VXT-BL515 quick release pins.



Ensure that the clevis pin is properly locked in VNT-MNSTKM6, and that 5mm pins are properly locked in GEO M6.

- NEXO cannot accept responsibility for accidents caused by any factor other than defects in this product itself.
- Please check the web site nexo-sa.com for the latest update.



nexo-sa.com
 ZA du Pre de la Dame Jeanne
 60128 PLAILLY - France

- Read this document before using.
- Keep this document.
- Observe all warnings and cautions.

