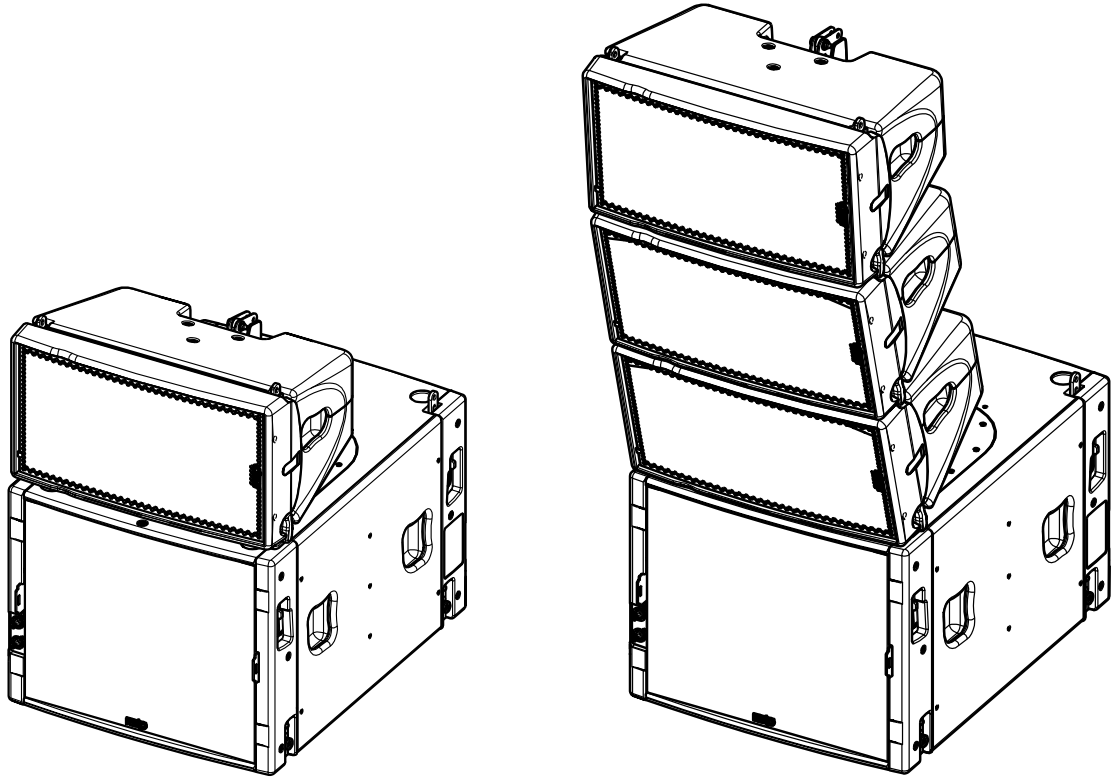
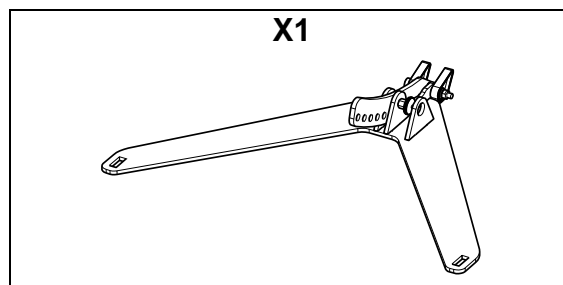


Stacking Option for GEOM10 on top MSUB15

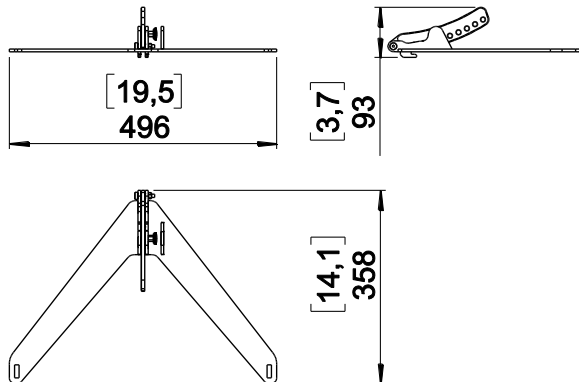


Contents:



Weight: 2.2 kg / 5 lb

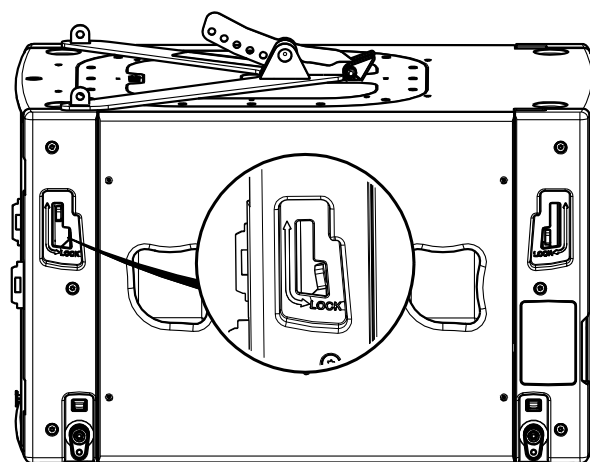
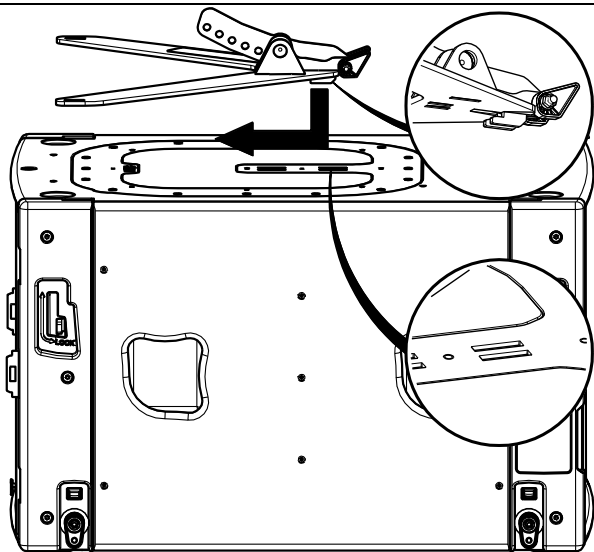
Dimensions:



Use:

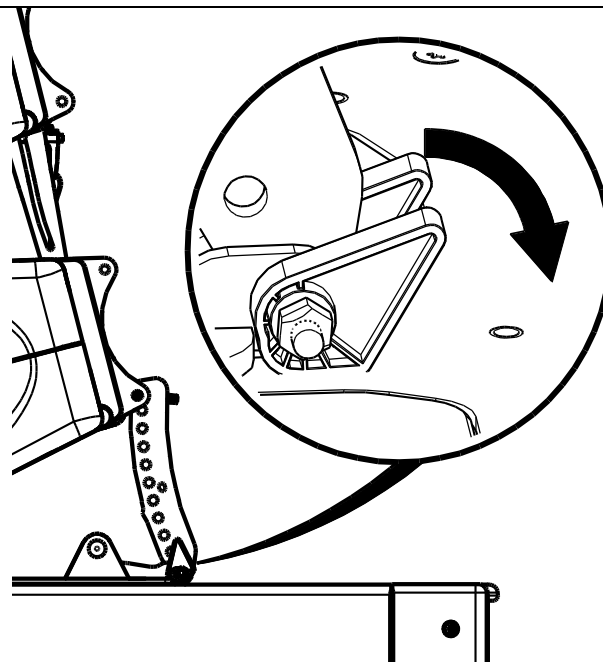
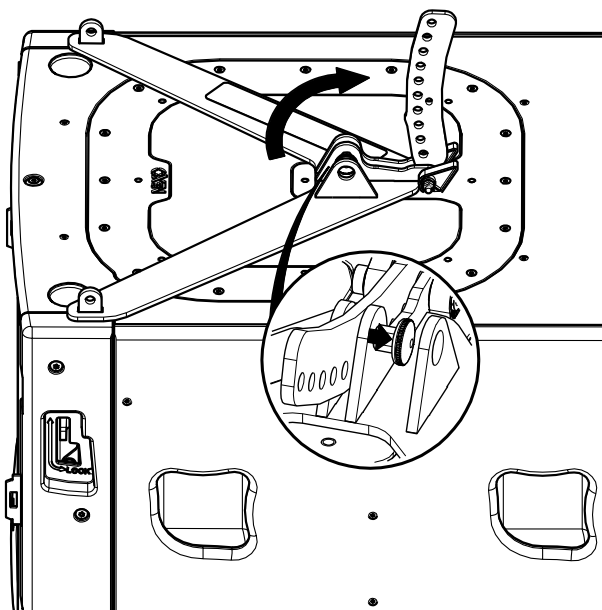
Place MNSTKM10 on MSUB15. Set the rear in the slot and push it forward.

Unlock the side rig of MSUB15.



Pull the latch to unlock the link bar.

Use the levers to lock MNSTKM10 on MSUB15.



NEXO

www.nexo-sa.com

ZA du pre de la Dame Jeanne

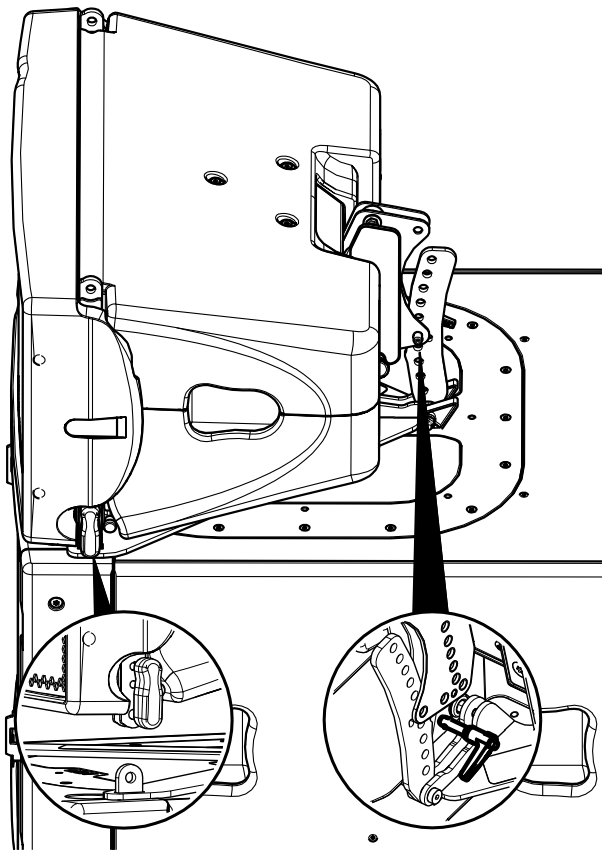
60128 PLAILLY-France

- Read this document before using.
- Keep this document.
- Observe all warnings and cautions.

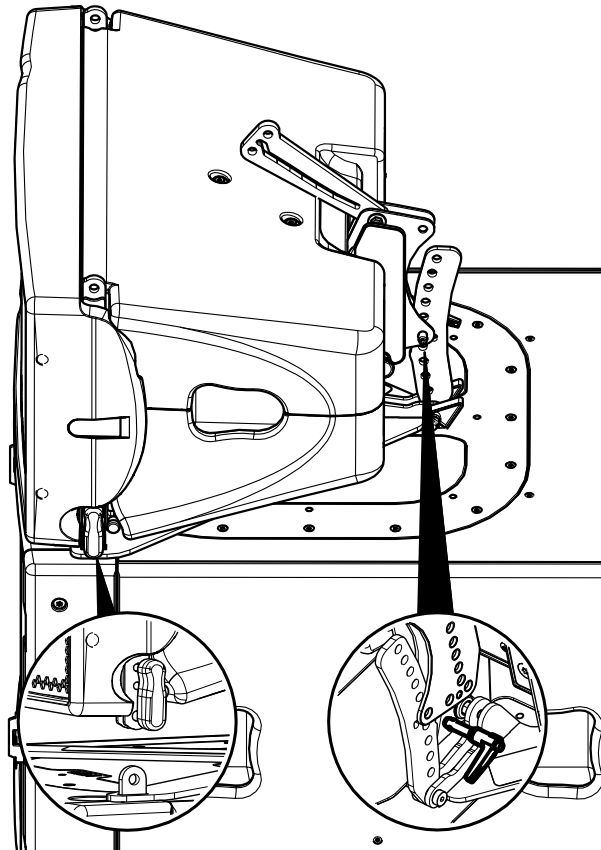


Place the first GEOM10, and check for correct locking.

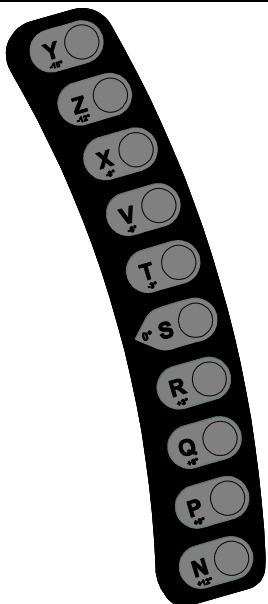
If you use only one GEOM10, you can leave the link bar of GEOM10 in place.



If you use more than one GEOM10, you have to get off the link bar of GEOM10 before adjusting the tilt of the first GEOM10.



Adjust the angle between GEOM10 and MSUB15 using the Ball Lock of GEOM10 to lock the link bar of MNSTKM10 and GEOM10 (mark BUMPER and the desired angle).



- Y ⇨ - 15°
- Z ⇨ - 12°
- X ⇨ - 9°
- V ⇨ - 6°
- T ⇨ - 3°
- S ⇨ 0°
- R ⇨ + 3°
- Q ⇨ + 6°
- P ⇨ + 9°
- N ⇨ + 12°

WARNING: Use 3x GEOM10 max

- NEXO cannot accept responsibility for accidents caused by any factor other than defects in this product itself.
- Please check the web site nexo-sa.com for the latest update.

NEXO

www.nexo-sa.com
ZA du pre de la Dame Jeanne
60128 PLAILLY-France

- Read this document before using.
- Keep this document.
- Observe all warnings and cautions.

