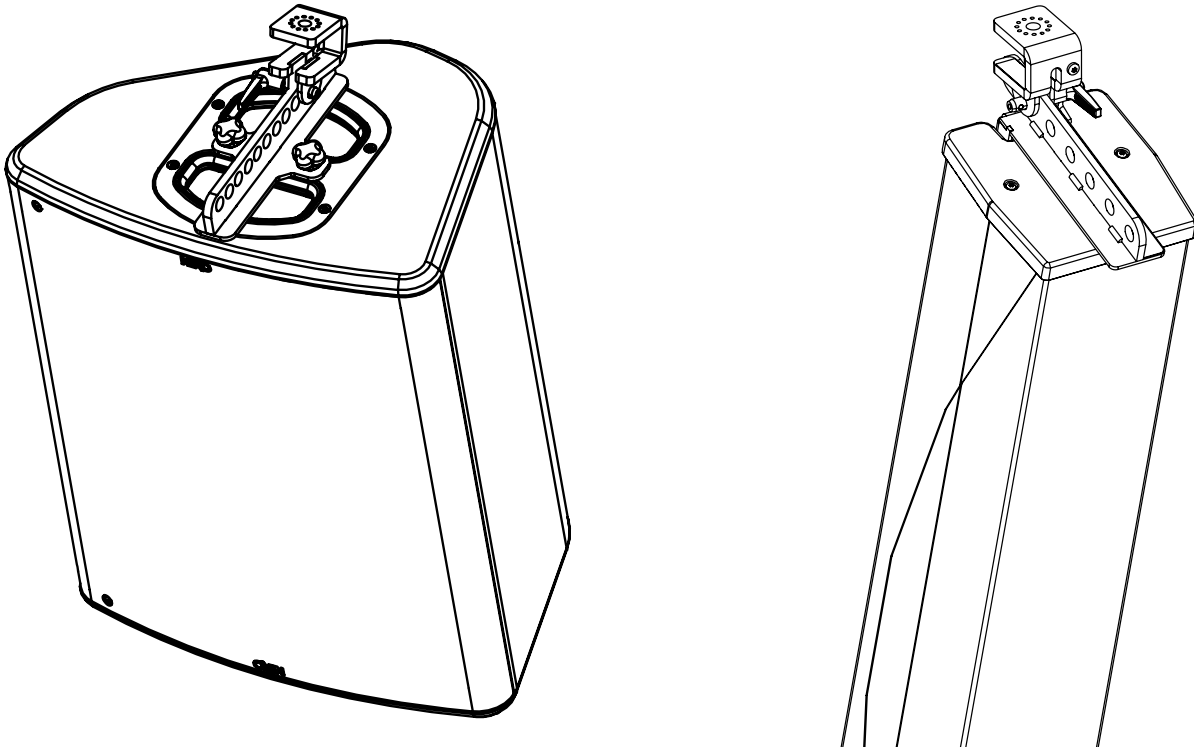
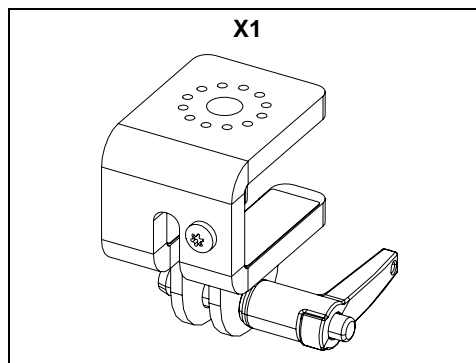


Bumper to Truss Clamp adapter



Contents:



Weight: 0.5 kg / 1.1 lb

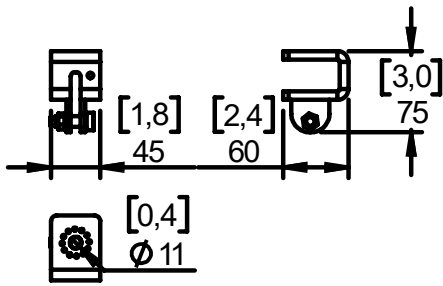


nexo-sa.com
ZA du Pre de la Dame Jeanne
60128 PLAILLY - France

- Read this document before using.
- Keep this document.
- Observe all warnings and cautions.

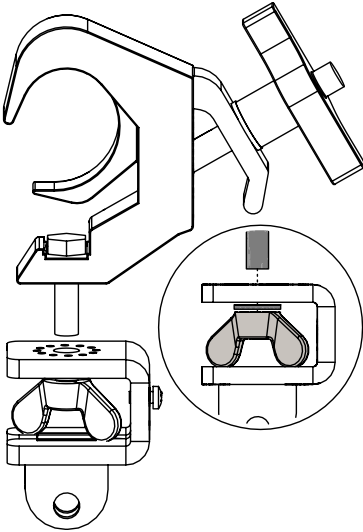


Dimensions:

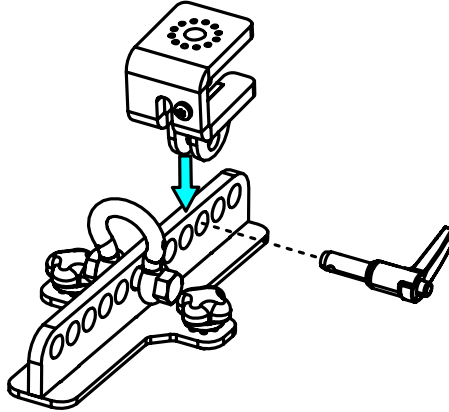


Use:

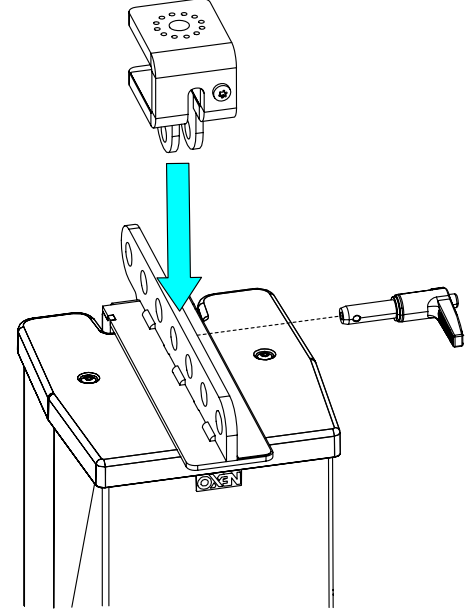
With Truss Clamp



With PNT-BUMP and P+ serie



With IDU-BUMP and ID84



- NEXO cannot accept responsibility for accidents caused by any factor other than defects in this product itself.
- Please check the web site nexo-sa.com for the latest update.

NEXO

nexo-sa.com
ZA du Pre de la Dame Jeanne
60128 PLAILLY - France

- Read this document before using.
- Keep this document.
- Observe all warnings and cautions.

