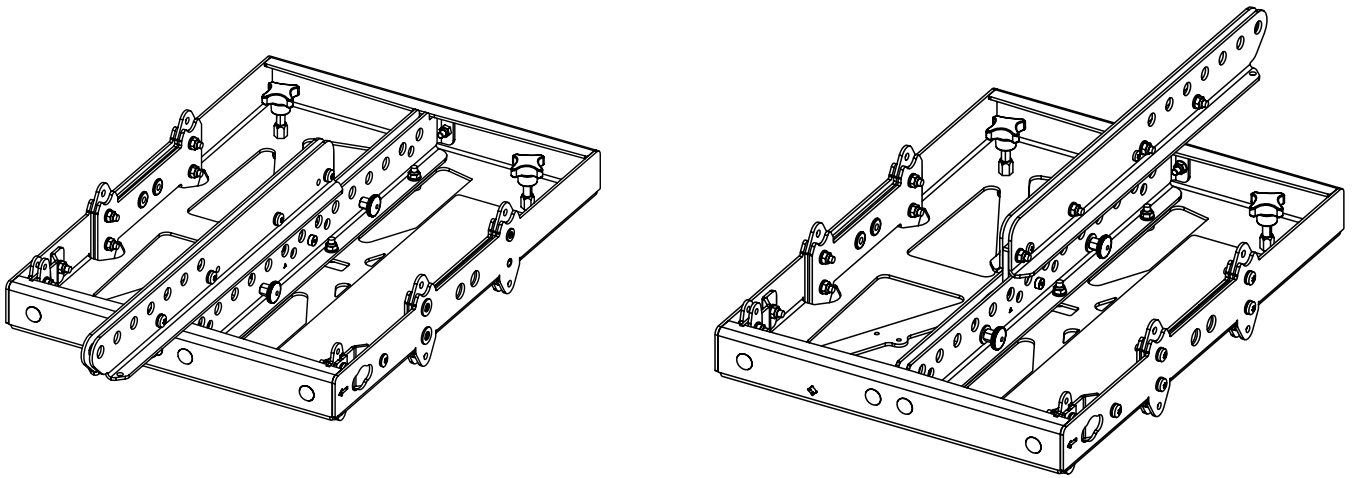
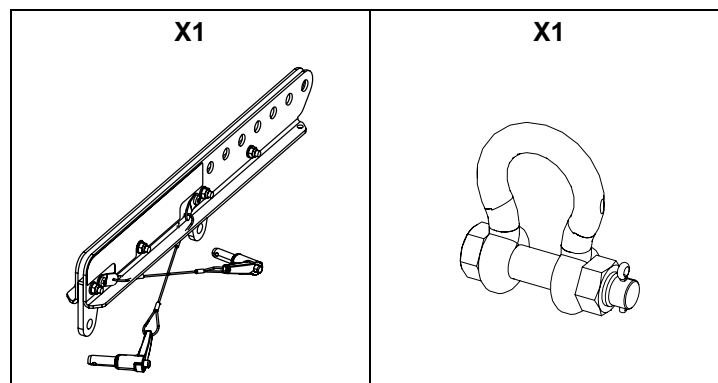


## Extension bar for VNT-BUMPM6



### Contents:



Weight: 2 kg / 4.4 lb

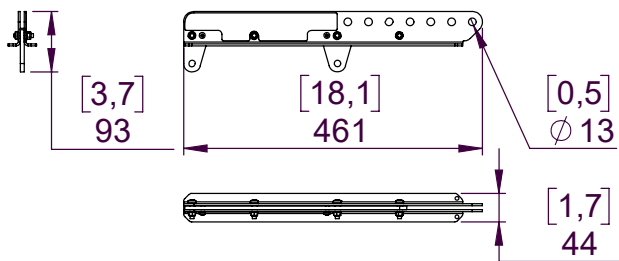


nexo-sa.com  
ZA du Pre de la Dame Jeanne  
60128 PLAILLY - France

- Read this document before using.
- Keep this document.
- Observe all warnings and cautions.



**Dimensions:**



- Use NEXO Simulation Software for mechanical prediction.
- Use shackle model: Alloy Bolt Type Shackles 1.00 Tons
- MAX 12x GEOM6, or 8x MSUB12, or NGEOM6 +  $1.5N_{MSUB12} \leq 12$

**Use:**

<p>Move the Linkbar of the BUMPM6 in the proper position to place EXBARM6 when using MSUB12 or storage.</p>	
<p>Place EXBARM6 by the top and fit the guides into the slots on the BUMPM6. Lock with the quick release pins presents on the EXBARM6. EXBARM6 allow a 1 or 2 rigging points hanging, with a negative or positive tilt.</p>	
<p>You can store EXBARM6 on BUMPM6 (2 positions)</p>	

- NEXO cannot accept responsibility for accidents caused by any factor other than defects in this product itself.
- Please check the web site [nexo-sa.com](http://nexo-sa.com) for the latest update.