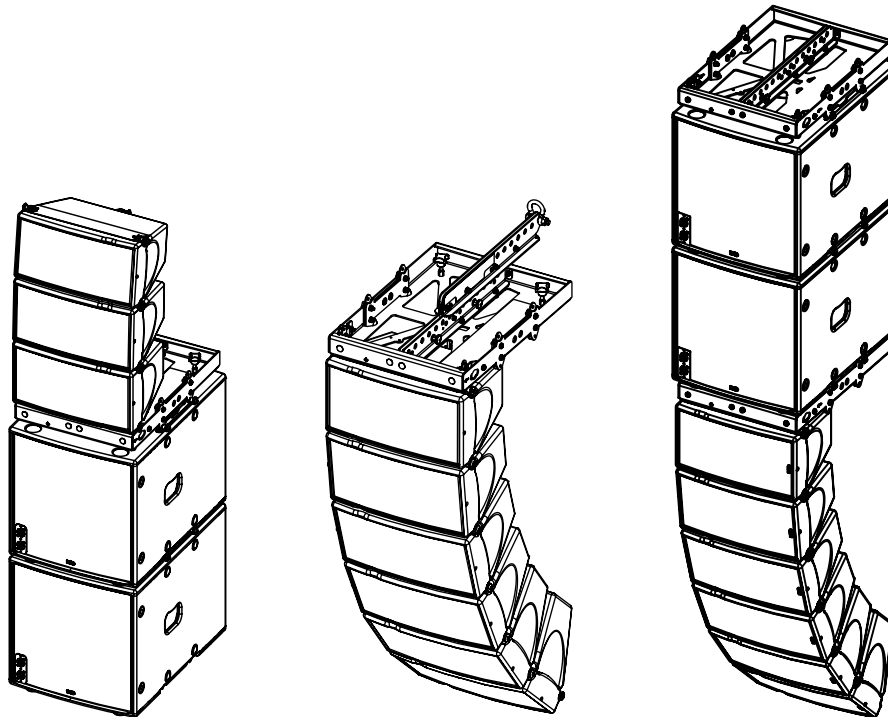
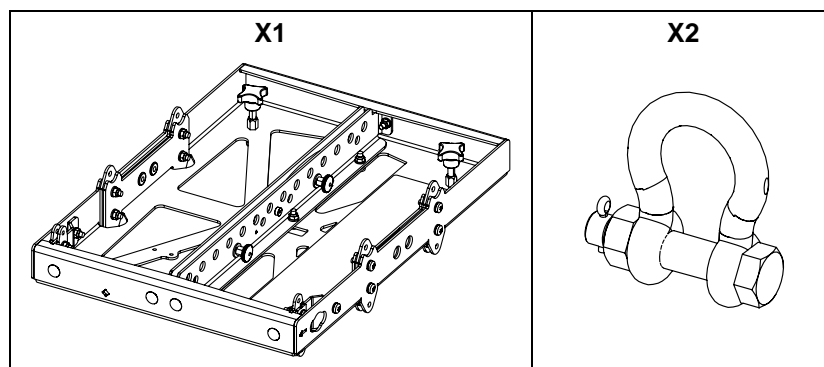


## Bumper for GEOM6 / MSUB12

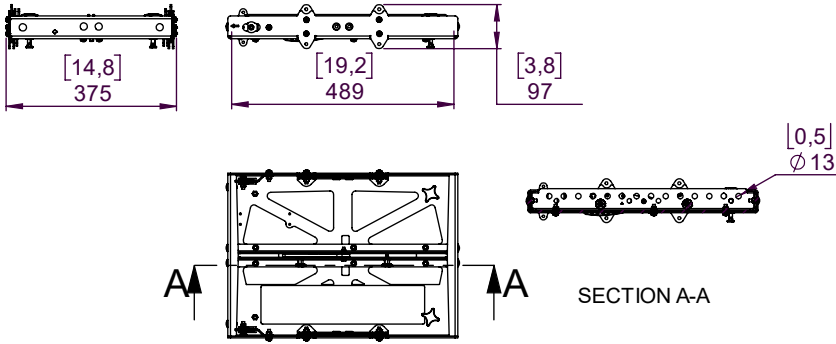


### Contents:



Weight: 9 kg / 20 lb

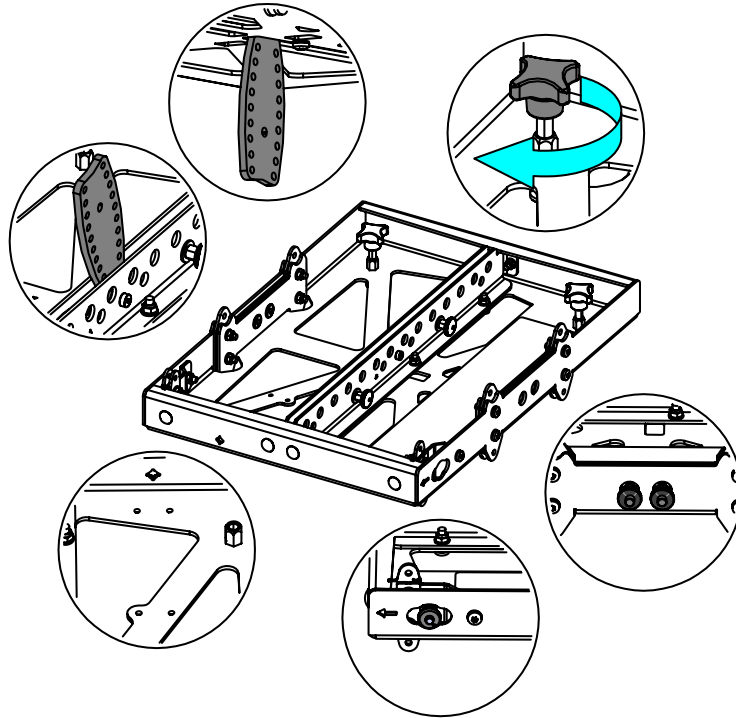
**Dimensions:**



- Use NEXO Simulation Software for mechanical prediction.
- Use shackle model: Alloy Bolt Type Shackles 1.00 Tons
- MAX 12x GEOM6, or 8x MSUB12, or  $N_{GEOM6} + 1.5N_{MSUB12} \leq 12$

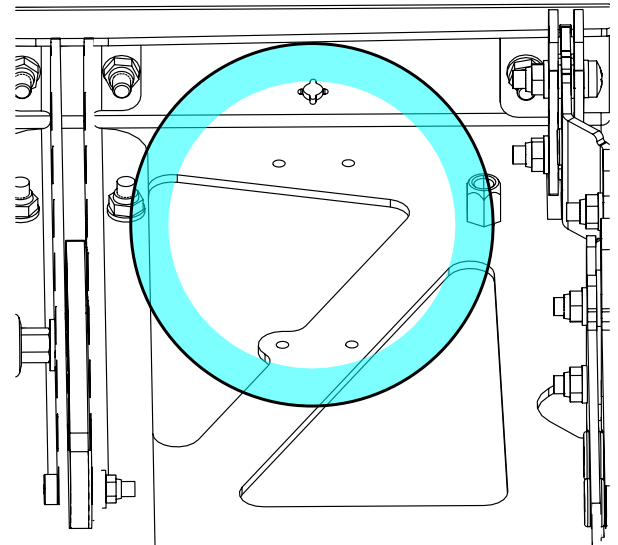
**Features:**

Additional details about the individual functions can be found below



- Laser / Clinometer

A location is available for laser/clinometer.



nexo-sa.com  
ZA du Pre de la Dame Jeanne  
60128 PLAILLY - France

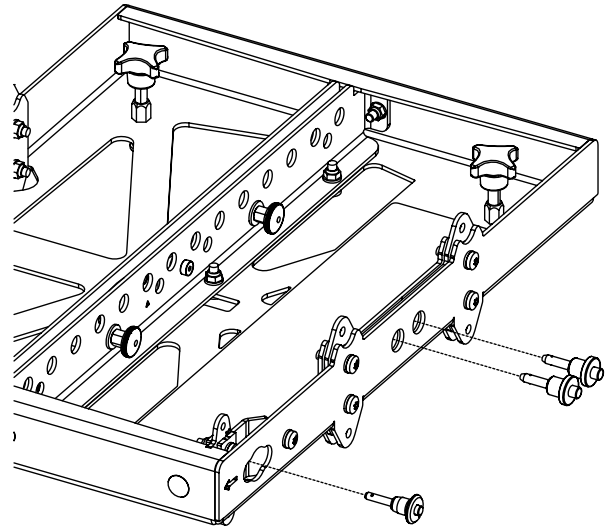
- Read this document before using.
- Keep this document.
- Observe all warnings and cautions.



- **BL Storage**

Store your quick release pins on each side.

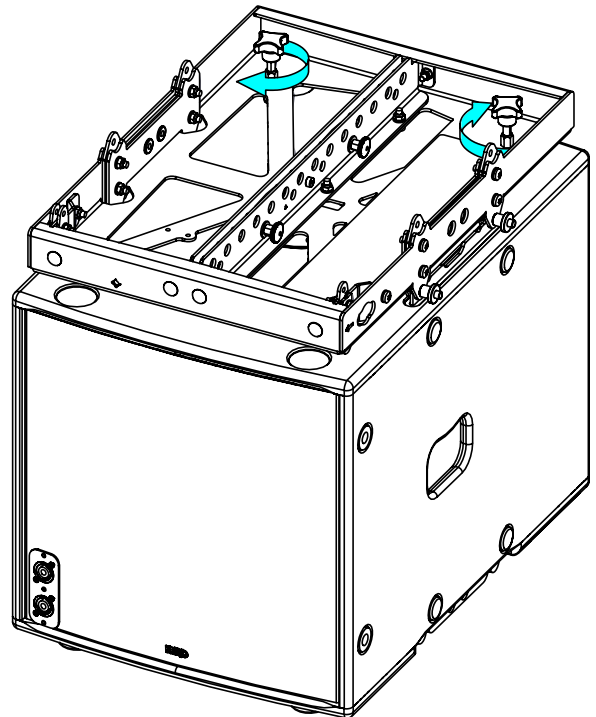
- 2x VXT-BL515
- 4x VXT-BL615



- **Stack**

To stack properly BUMPM6 on MSUB12, you have 2 wheels to avoid vibrations.

Put the skids in contact with MSUB12, do not force.



**NEXO**

nexo-sa.com

ZA du Pre de la Dame Jeanne  
60128 PLAILLY - France

- Read this document before using.
- Keep this document.
- Observe all warnings and cautions.



• LinkBar

Pull the bolt to unlock the LinkBar, use for stack or flown with the first GEOM6

- Below to flown (HANGING).
- Above to stack (STACKING).

HANGING		STACKING
Z	+12°	N
X	+9°	P
V	+6°	Q
T	+3°	R
S	0°	S
R	-3°	T
Q	-6°	V
P	-9°	X
N	-12°	Z

**WARNING:** Use NEXO Simulation Software for mechanical prediction

- NEXO cannot accept responsibility for accidents caused by any factor other than defects in this product itself.
- Please check the web site [nexo-sa.com](http://nexo-sa.com) for the latest update.