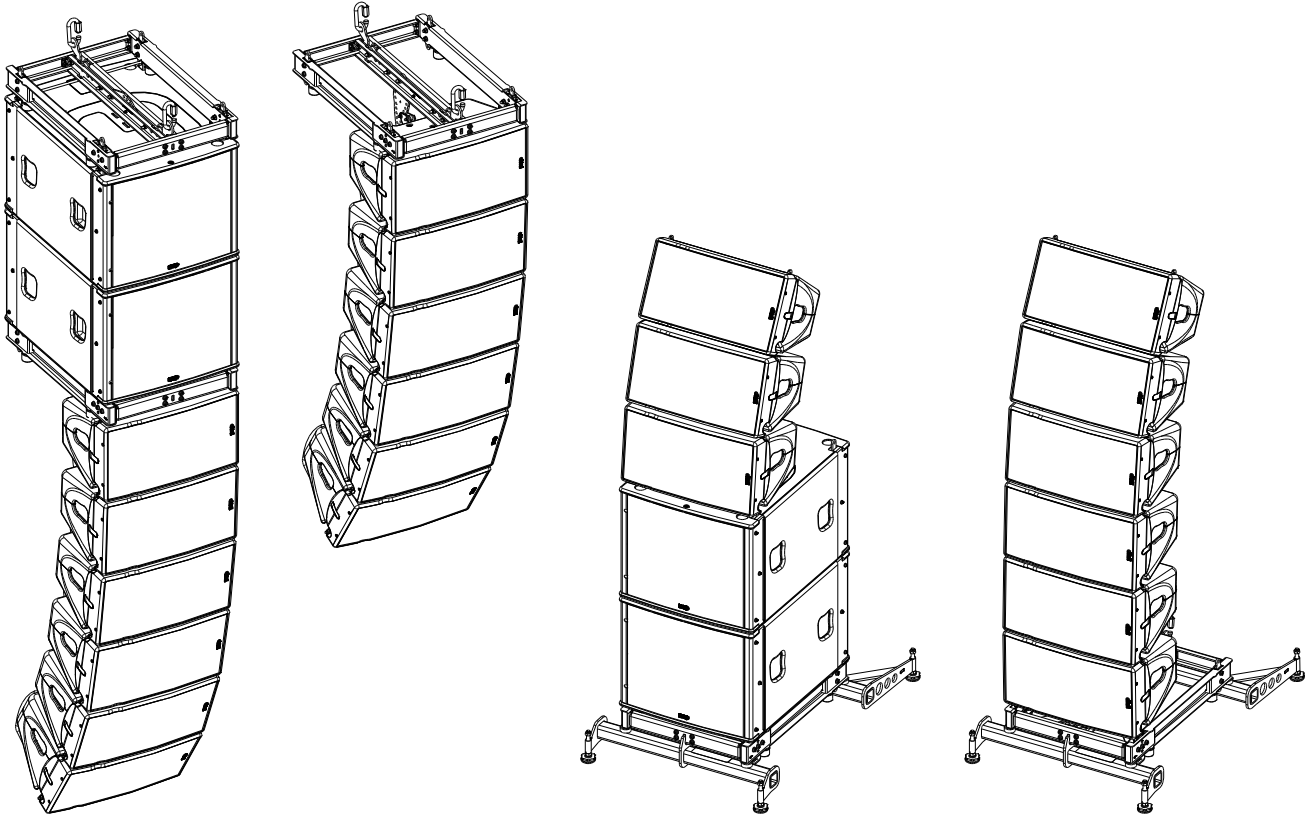


### Fixed Installation Bumper GEOM10-MSUB15

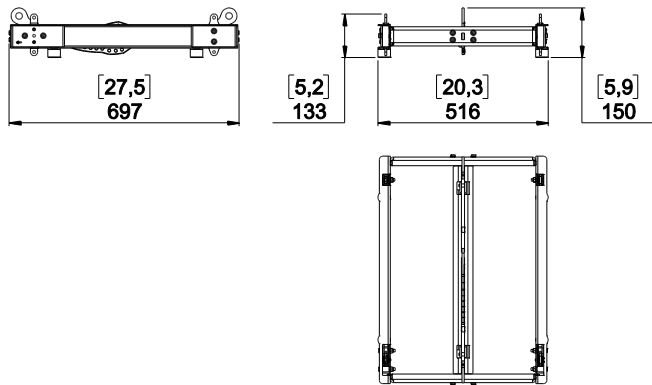


#### Contents:

<p><b>X1</b></p>		<p><b>X2</b></p>	<p><b>X3</b></p>
<p><b>X8 M8</b></p>	<p><b>X11 M8</b></p>	<p><b>X2 D12x35</b></p>	<p><b>X2 M10</b></p>
<p><b>X2 M8x45</b></p>	<p><b>X1 D8x20</b></p>	<p><b>X1 M6</b></p>	<p><b>X1 M6</b></p>

Weight: 18 kg / 40 lb

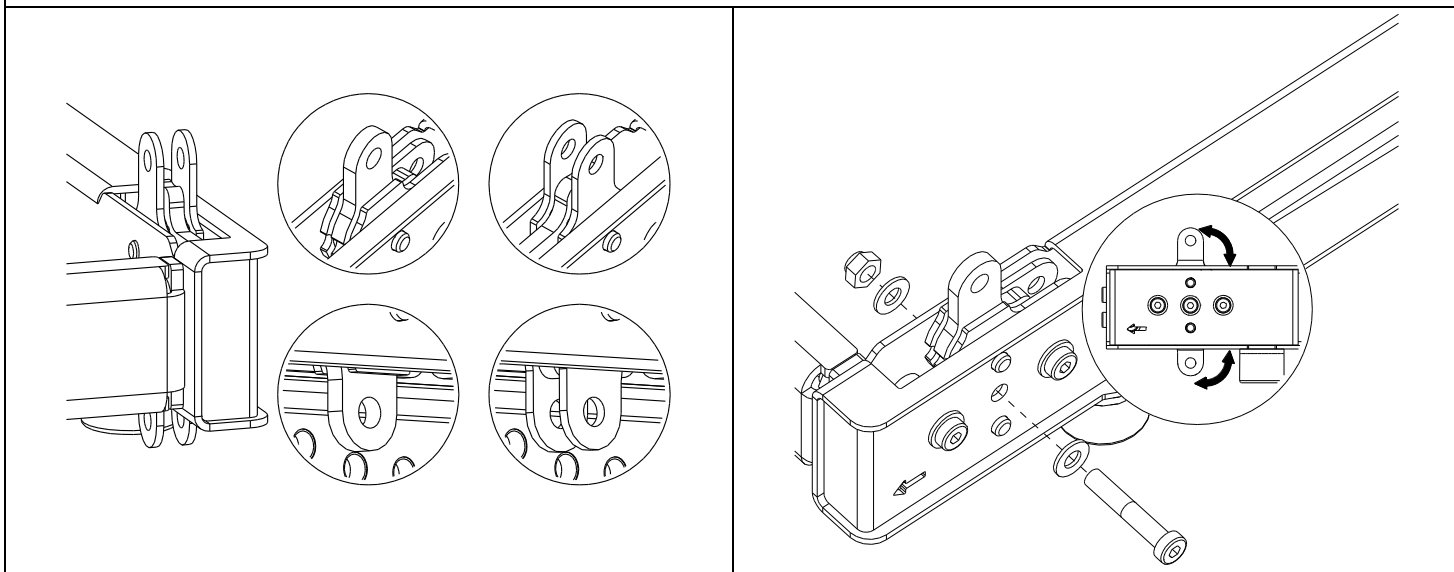
## Dimensions:



## Features:

- Front rigging point

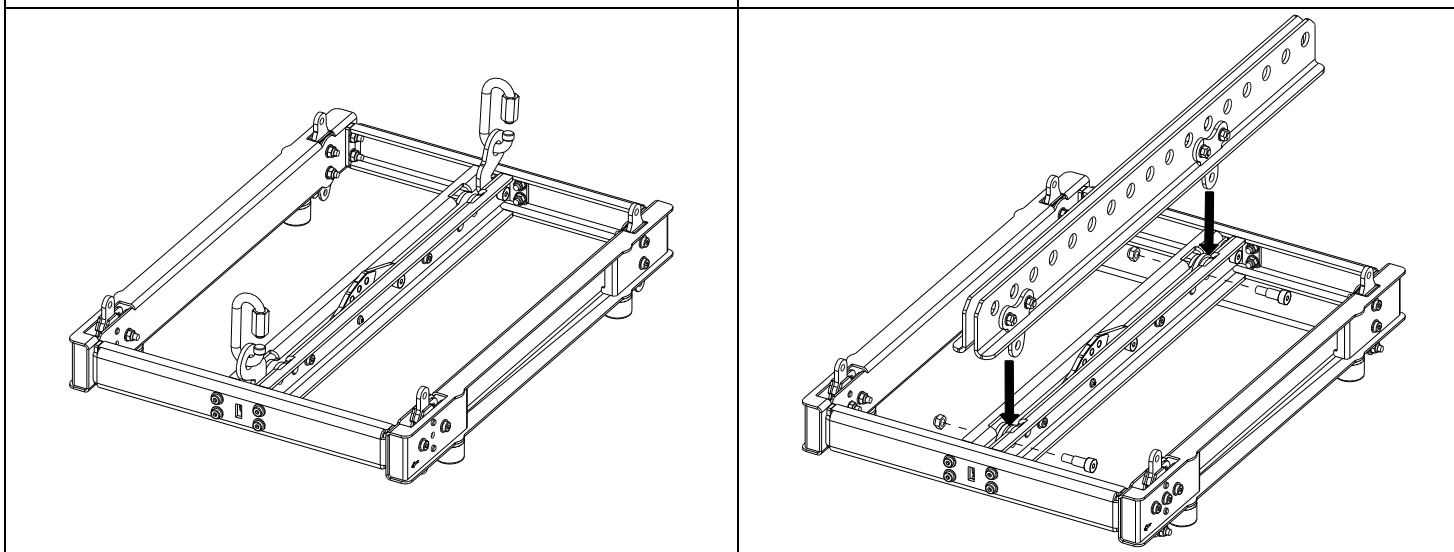
Front rigging point are easily configurable. Adjust the front rigging point and lock with provided screws (screws M8x45, washers M8, brake nuts M8).



- Hanging

On the front and the rear of the frame, you find a lift ring. Use the provided quick links to hang up.

Place VNT-EXBARM10, lock with the provided fasteners (shoulder screws D12x35, brake nuts M10).



# NEXO

nexo-sa.com

ZA du Pre de la Dame Jeanne  
60128 PLAILLY - France

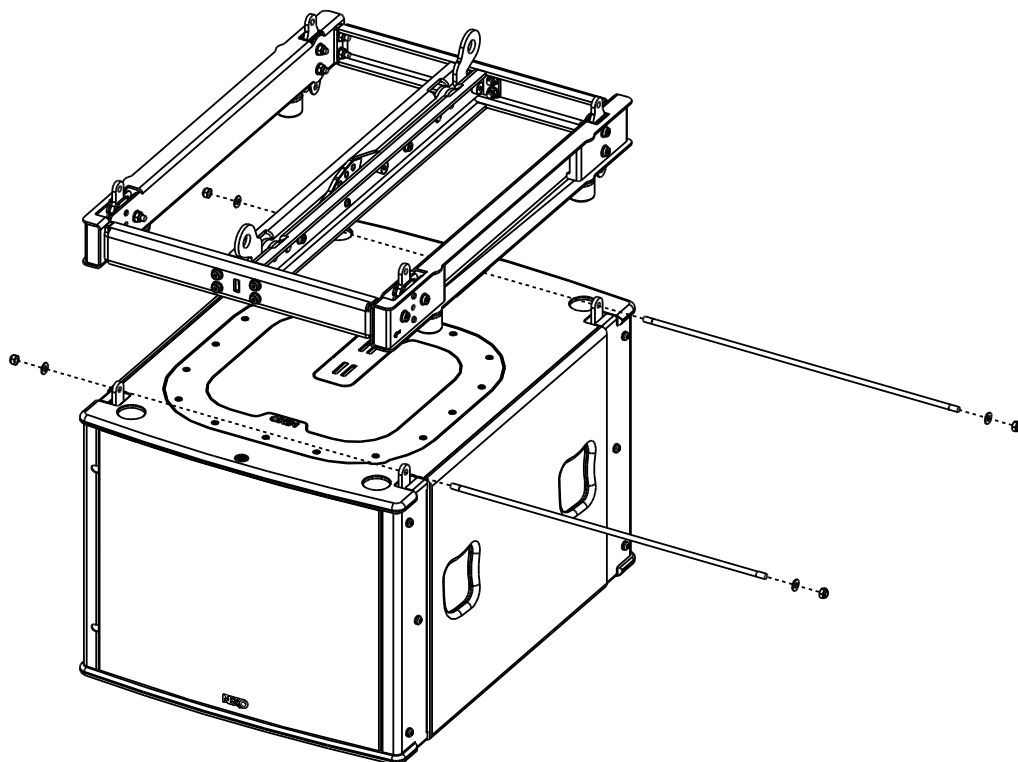
- Read this document before using.
- Keep this document.
- Observe all warnings and cautions.



**Use:**

- **With MSUB15**

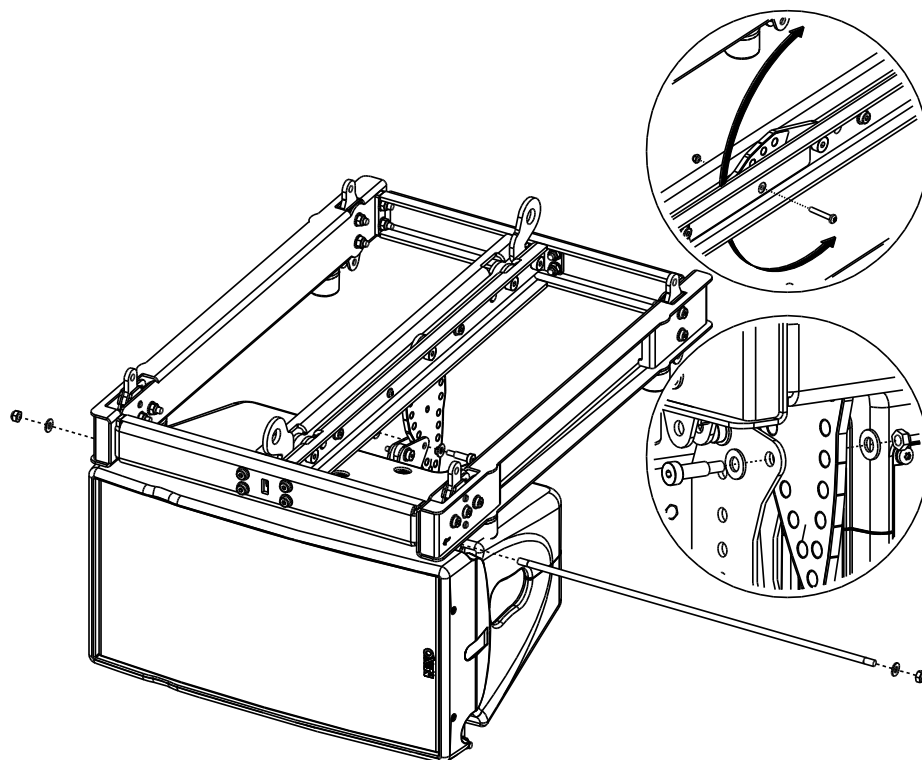
Place the Bumper on or under the MSUB15, insert the axis and the washers (M8) and secure with the brake nuts (M8).



- **With GEOM10**

Place the Bumper on or under the GEOM10, insert the axis and the washers (M8) and secure with the brake nuts (M8).

Adjust the appropriate inter-angle value with the Linkbar and secure with the provided screws (1 shoulder screw D8x20, washer M8, washer M6, brake nut M6)



**NEXO**

nexo-sa.com

ZA du Pre de la Dame Jeanne  
60128 PLAILLY - France

- Read this document before using.
- Keep this document.
- Observe all warnings and cautions.

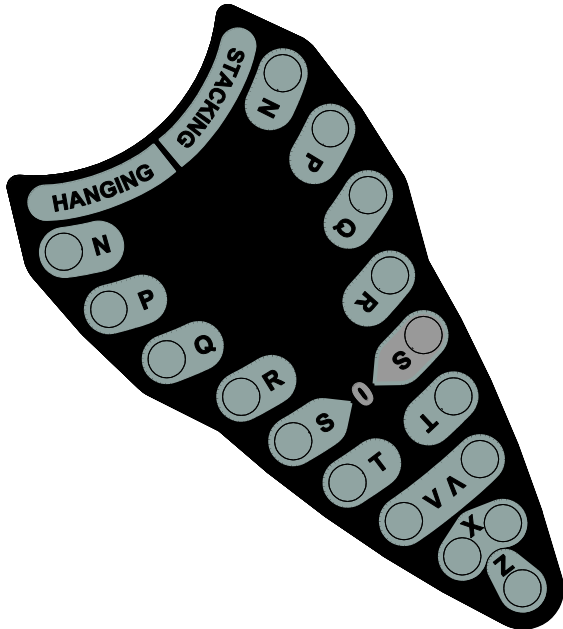
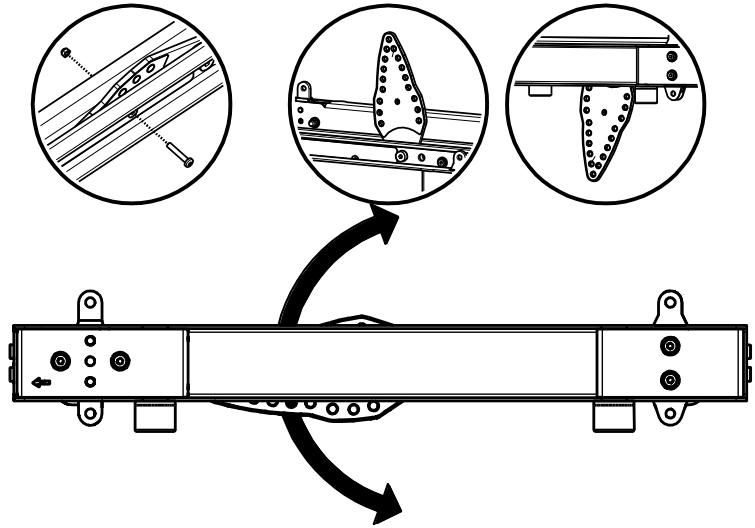


- Linkbar

Remove the screw and the nut to unlock the Linkbar.

Used for stack or flown with the first GEOM10.

- Below to flown (HANGING).
- Above to stack (STACKING).



HANGING		STACKING
Z	+12°	N
X	+9°	P
V	+6°	Q
T	+3°	R
S	0°	S
R	-3°	T
Q	-6°	V
P	-9°	X
N	-12°	Z

**WARNING:** Use NEXO Simulation Software for mechanical prediction

*Use only provided fasteners with VNI-BUMPM10.*

- NEXO cannot accept responsibility for accidents caused by any factor other than defects in this product itself.
- Please check the web site [nexo-sa.com](http://nexo-sa.com) for the latest update.



nexo-sa.com  
ZA du Pre de la Dame Jeanne  
60128 PLAILLY - France

- Read this document before using.
- Keep this document.
- Observe all warnings and cautions.

