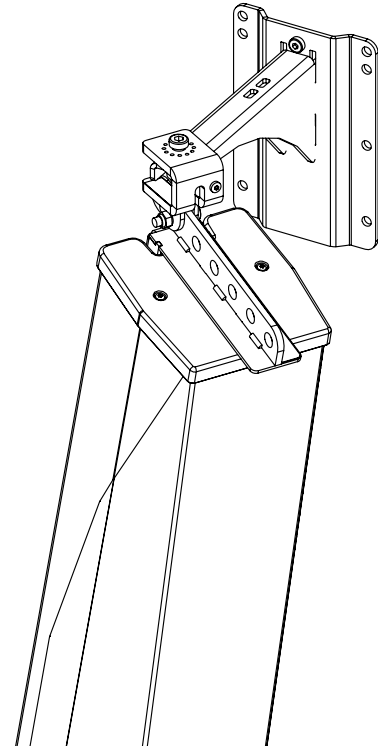
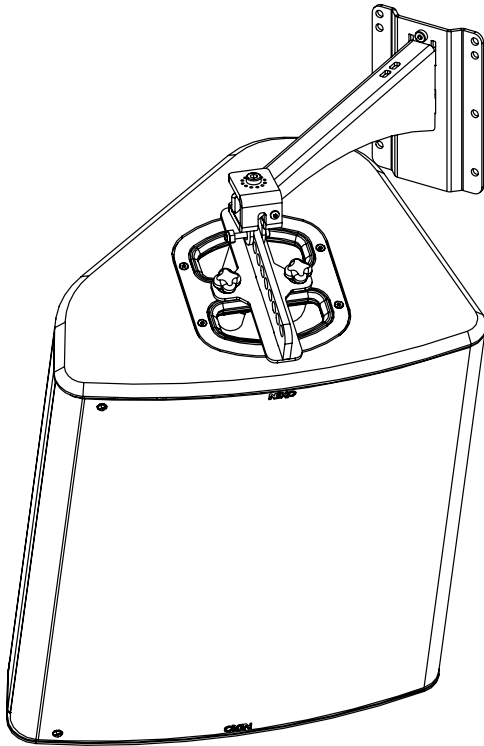
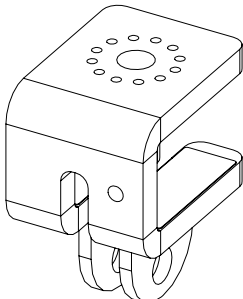
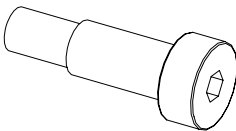
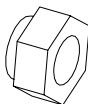


Wall mount adapter

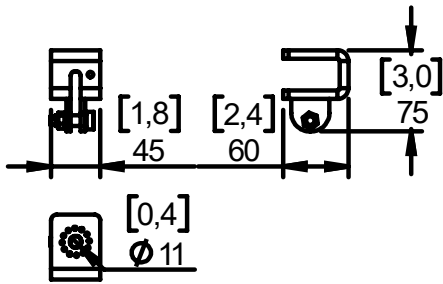


Contents:

<p>X1</p> 	<p>X1</p> <p>Shoulder screw D10 – M8x20</p> 	<p>X1</p> <p>Nylstop M8</p> 
---	---	---

Weight: 0.5 kg / 1.1 lb

Dimensions:



Safety Notes:

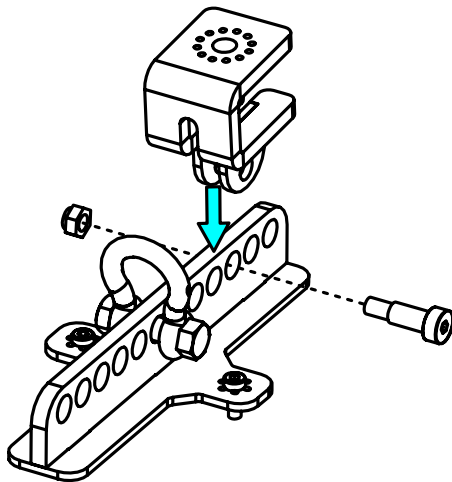
Secure assembly with secondary safety steel.

Please, select screws and mounting location supporting 4 times the system weight.

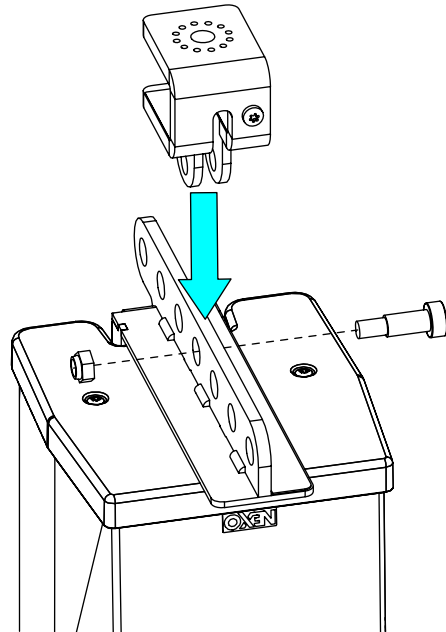
Inspect bolted assemblies periodically.

Use:

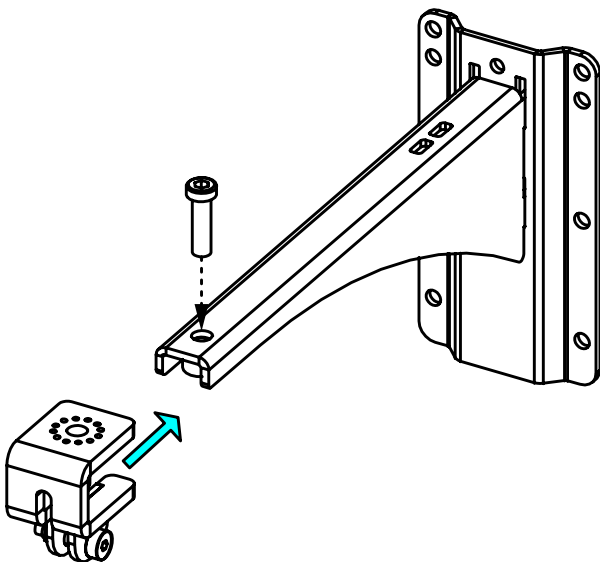
With VNU-BUMP and P+ serie or ePS serie



With IDU-BUMP and ID84



With VNI-WMxxx



- NEXO cannot accept responsibility for accidents caused by any factor other than defects in this product itself.
- Please check the web site nexo-sa.com for the latest update.

NEXO

nexo-sa.com
ZA du Pre de la Dame Jeanne
60128 PLAILLY - France

- Read this document before using.
- Keep this document.
- Observe all warnings and cautions.

