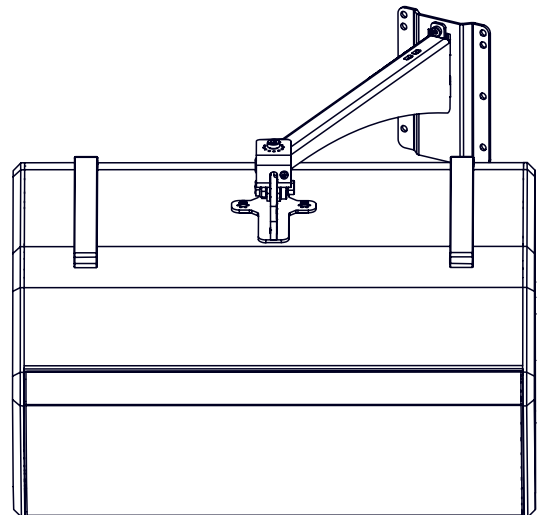
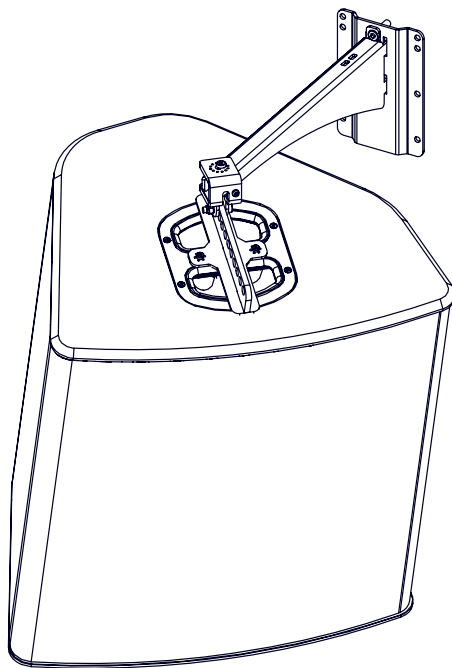
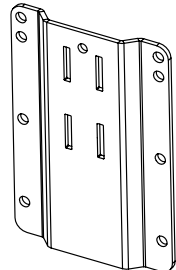
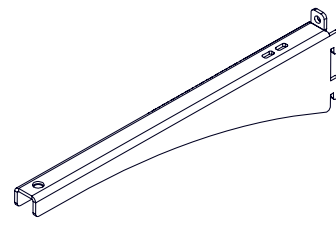
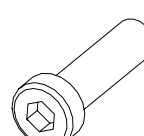
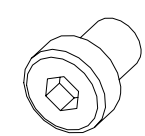


## Fixing hanging bracket 450mm



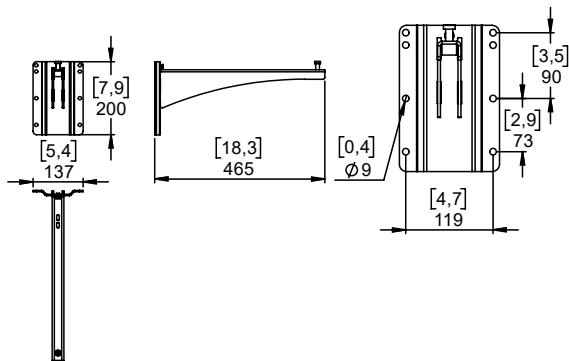
### Contents:

<p>X1</p> 	<p>X1</p> 	<p>X1 VXTCHC1035 M10x35</p> 	<p>X1 VXTCHC810 M8x10</p> 
---	---	--	---

The type of the screws may differ from the representation.

Weight: 2.7 kg / 6 lb

**Dimensions:**



**Safety Notes:**

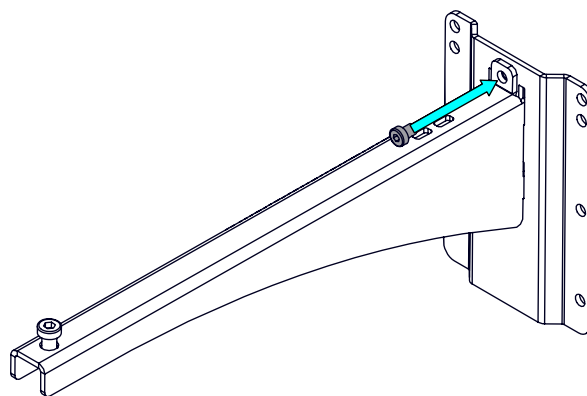
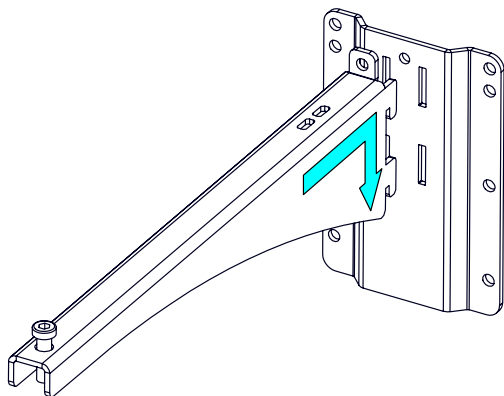
Please, select screws and mounting location supporting 4 times the system weight.

Inspect bolted assemblies periodically.

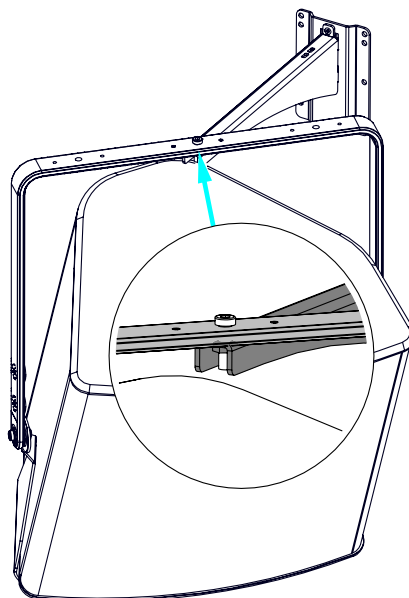
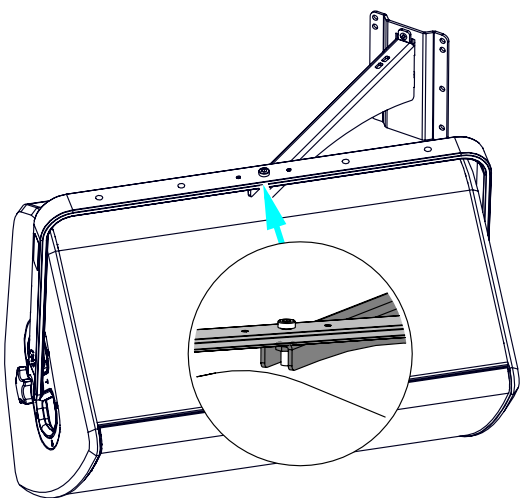
**Use:**

Mount the wall plate. Place the arm in the wall plate.

Lock with the provided screw.



With P+ serie / HBRK or VBRK



- NEXO cannot accept responsibility for accidents caused by any factor other than defects in this product itself.
- Please check the web site [nexo-sa.com](http://nexo-sa.com) for the latest update.



nexo-sa.com  
ZA du Pre de la Dame Jeanne  
60128 PLAILLY - France

- Read this document before using.
- Keep this document.
- Observe all warnings and cautions.

