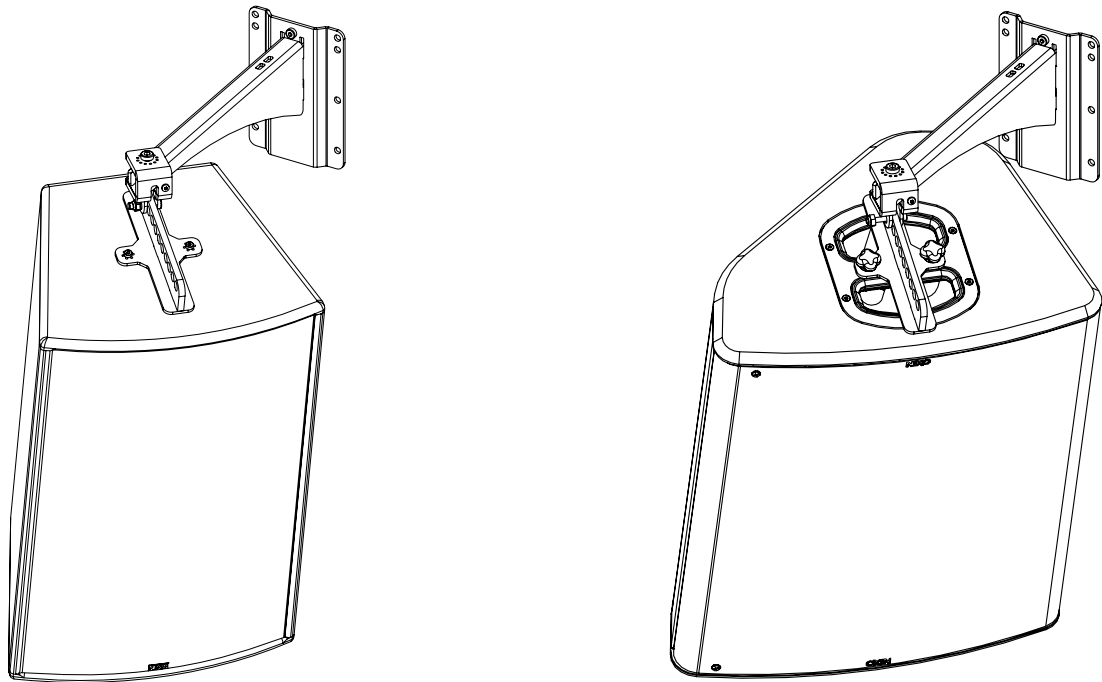


## Fixing hanging bracket 380mm



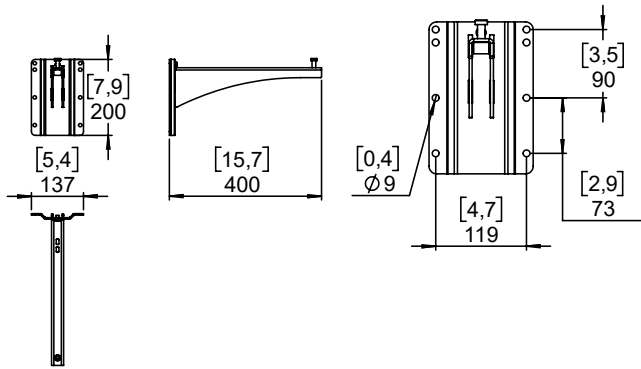
### Contents:

 X1	 X1	 X1 VXTCHC1035RN	 X1 VXTCHC810RN
--------	--------	------------------------	-----------------------

The type of the screws may differ from the representation.

Weight: 2.2 kg / 4.9 lb

**Dimensions:**



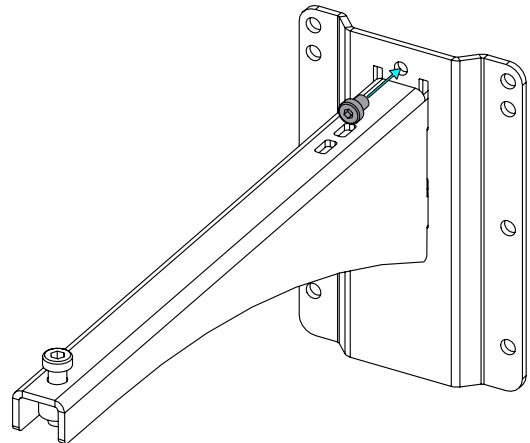
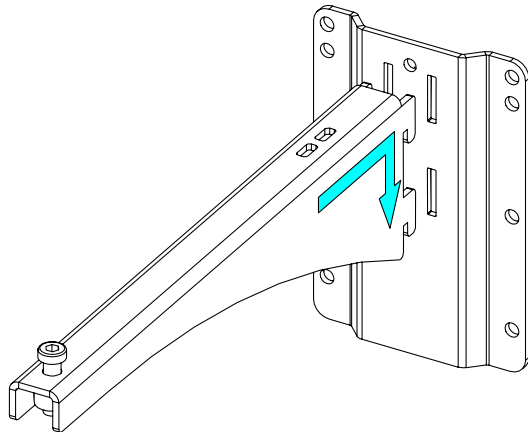
**Safety Notes:**

Please, select screws and mounting location supporting 4 times the system weight.  
Inspect bolted assemblies periodically.

**Use:**

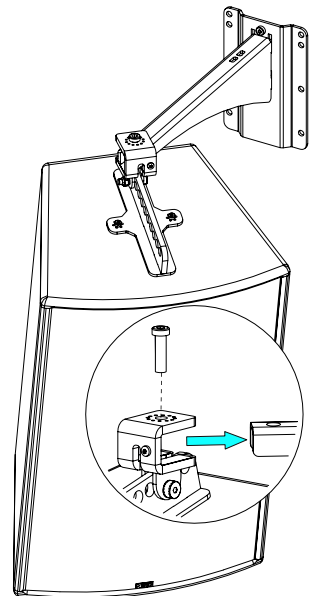
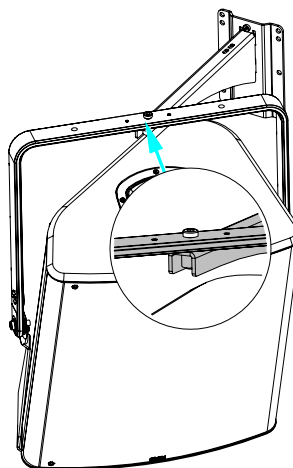
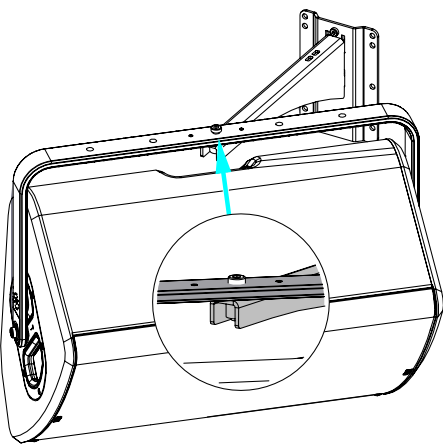
Mount the wall plate. Place the arm in the wall plate.

Lock with the provided screw.



With P15 / HBRK or VBRK

With P15 or ePS12 / BUMP / WMADAPT



- NEXO cannot accept responsibility for accidents caused by any factor other than defects in this product itself.
- Please check the web site [nexo-sa.com](http://nexo-sa.com) for the latest update.



nexo-sa.com  
ZA du Pre de la Dame Jeanne  
60128 PLAILLY - France

- Read this document before using.
- Keep this document.
- Observe all warnings and cautions.

