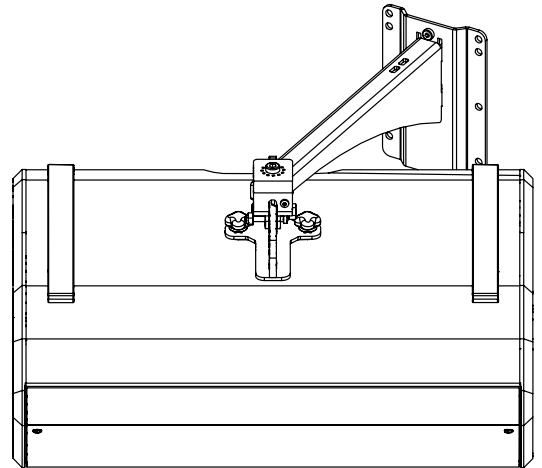
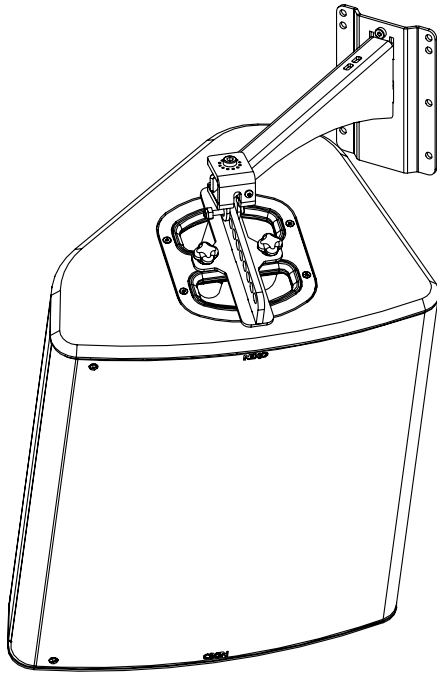
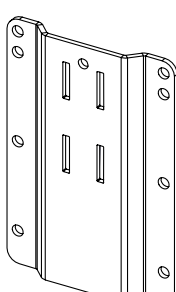
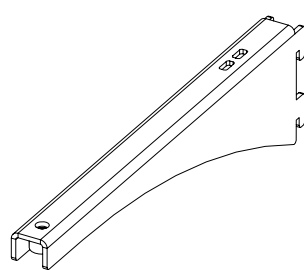
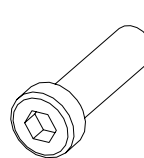
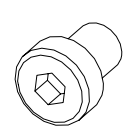


Fixing hanging bracket 380mm

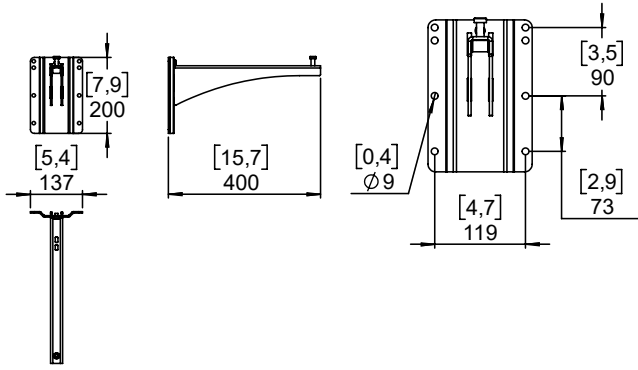


Contents:

<p>X1</p> 	<p>X1</p> 	<p>X1</p> 	<p>X1</p> 
---	---	--	---

Weight: 2.2 kg / 4.9 lb

Dimensions:



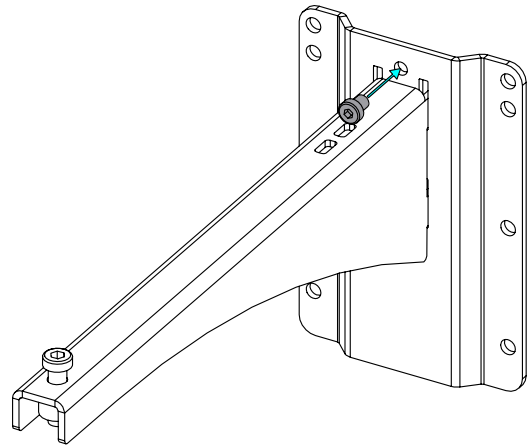
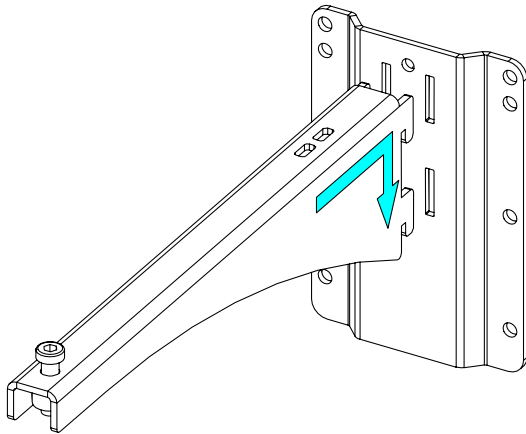
Safety Notes:

Please, select screws and mounting location supporting 4 times the system weight.
Inspect bolted assemblies periodically.

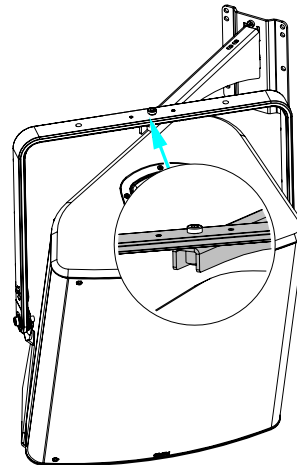
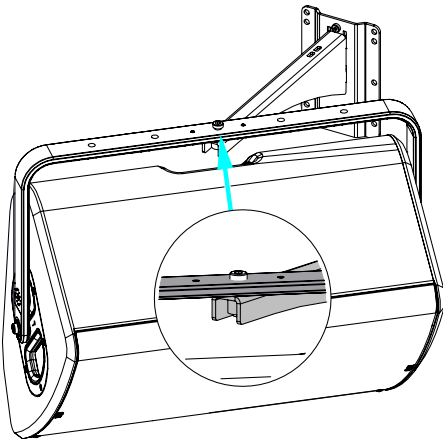
Use:

Mount the wall plate. Place the arm in the wall plate.

Lock with the provided screw.



With P+ serie / HBRK or VBRK



- NEXO cannot accept responsibility for accidents caused by any factor other than defects in this product itself.
- Please check the web site nexo-sa.com for the latest update.

NEXO

nexo-sa.com
ZA du Pre de la Dame Jeanne
60128 PLAILLY - France

- Read this document before using.
- Keep this document.
- Observe all warnings and cautions.

