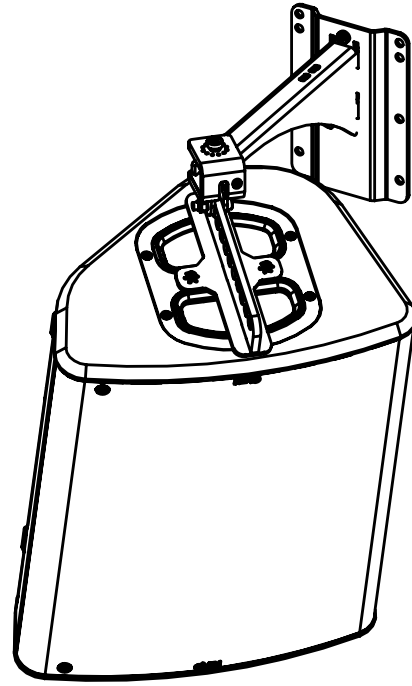
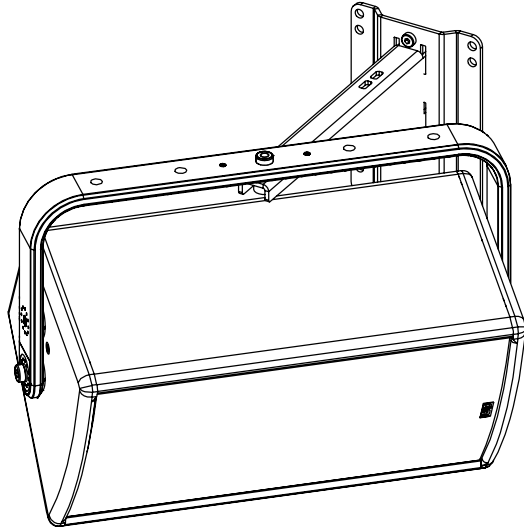
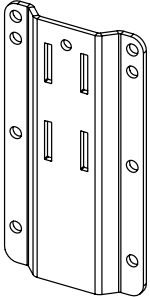
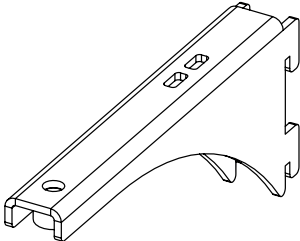
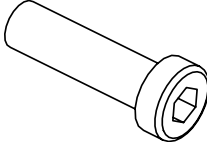
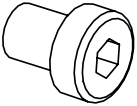


## Fixing hanging bracket 280mm



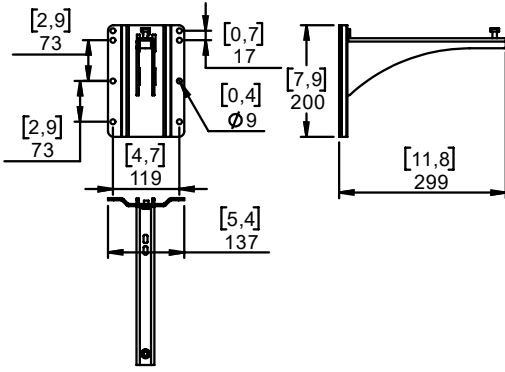
### Contents:

<p>X1</p> 	<p>X1</p> 	<p>X1 M10 x 35</p> 	<p>X1 M8 x 10</p> 
---	---	---	---

The type of the screws may differ from the representation.

Weight: 1.8 kg / 4.0 lb

**Dimensions:**



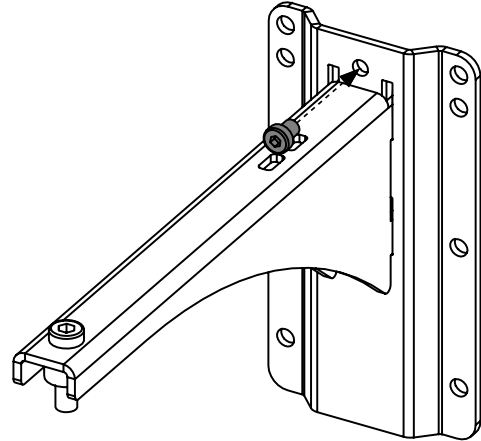
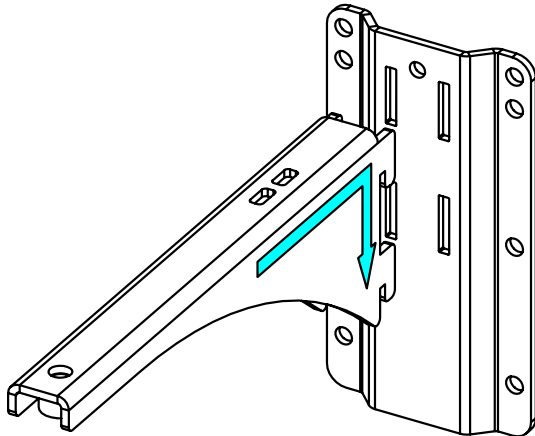
**Safety Notes:**

Please, select screws and mounting location supporting 4 times the system weight.  
Inspect bolted assemblies periodically.

**Use:**

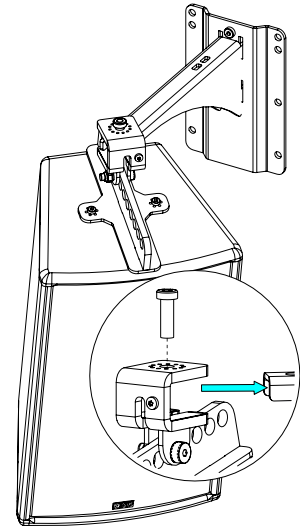
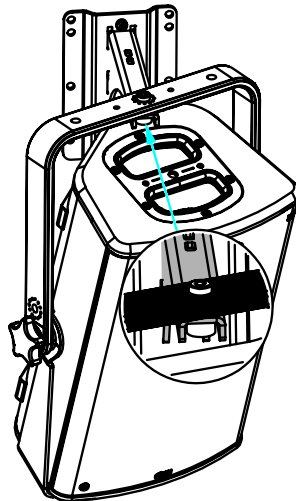
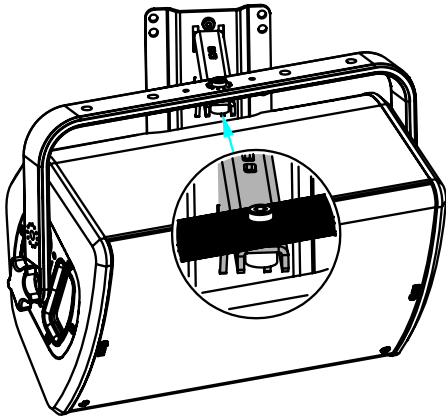
Mount the wall plate. Place the arm in the wall plate.

Lock with the provided screw.



With P10 / HBRK or VBRK

With ePS8 / BUMP / WMADAPT



- NEXO cannot accept responsibility for accidents caused by any factor other than defects in this product itself.
- Please check the web site [nexo-sa.com](http://nexo-sa.com) for the latest update.

**NEXO**

nexo-sa.com  
ZA du Pre de la Dame Jeanne  
60128 PLAILLY - France

- Read this document before using.
- Keep this document.
- Observe all warnings and cautions.

