

VNI-WM280 (PNI-WM280)

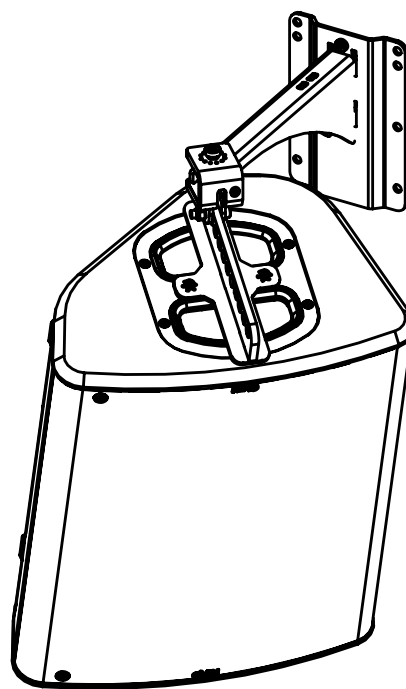
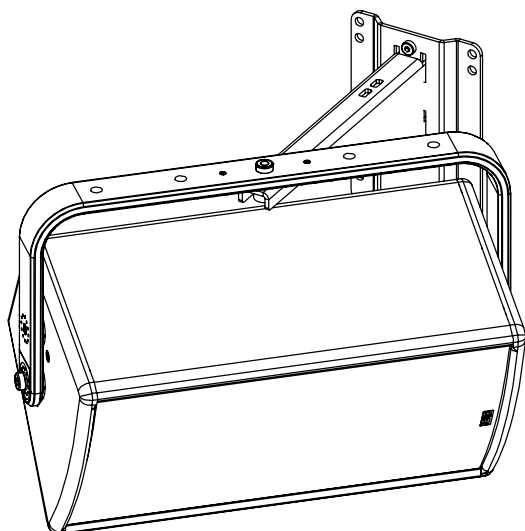
DP6086 - 01a - DI



εPS8

+P10

Fixing hanging bracket 280mm



Contents:

<p>X1</p>	<p>X1</p>	<p>X1 M10 x 35</p>	<p>X1 M8 x 10</p>
-----------	-----------	------------------------	-----------------------

Weight: 1.8 kg / 4.0 lb

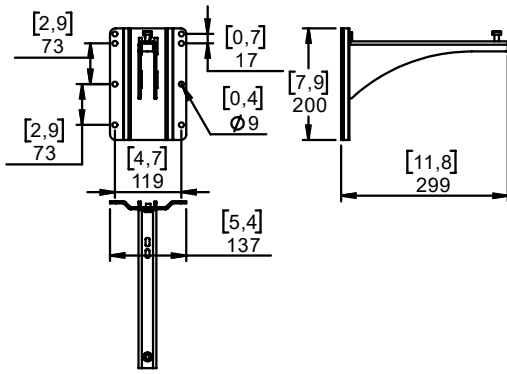


nexo-sa.com
ZA du Pre de la Dame Jeanne
60128 PLAILLY - France

- Read this document before using.
- Keep this document.
- Observe all warnings and cautions.



Dimensions:



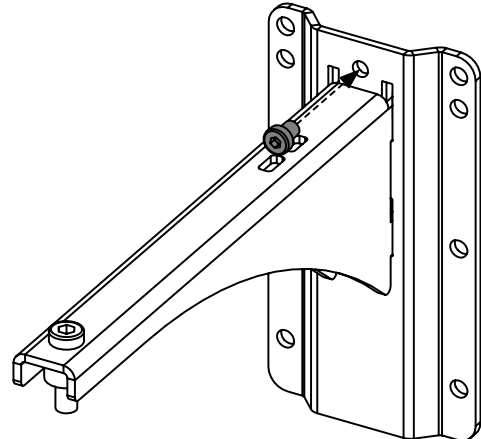
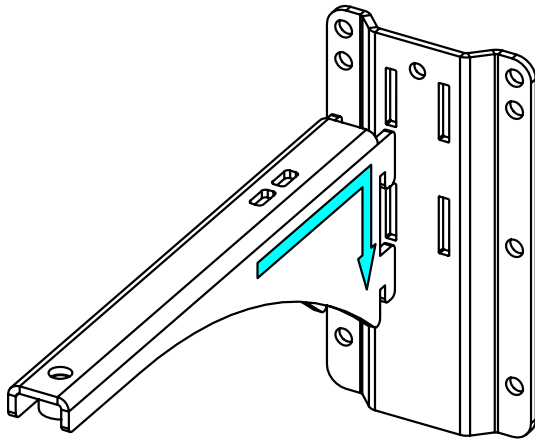
Safety Notes:

Please, select screws and mounting location supporting 4 times the system weight.
Inspect bolted assemblies periodically.

Use:

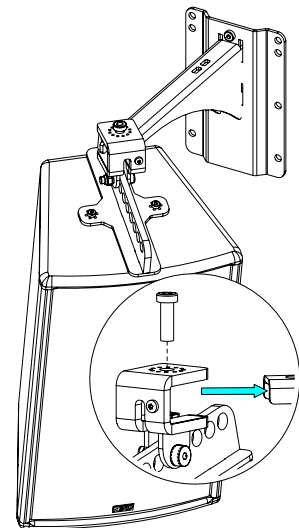
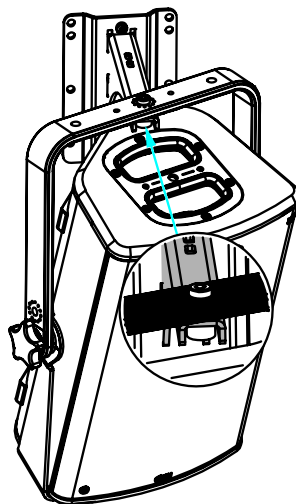
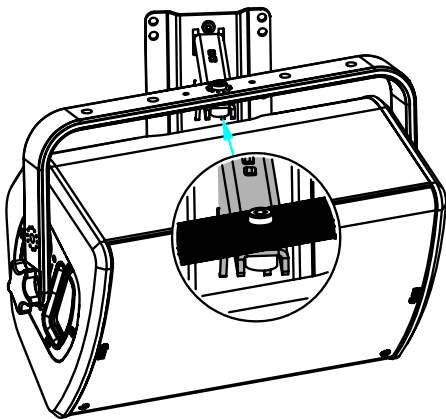
Mount the wall plate. Place the arm in the wall plate.

Lock with the provided screw.



With P10 / HBRK or VBRK

With ePS8 / BUMP / WMADAPT



- NEXO cannot accept responsibility for accidents caused by any factor other than defects in this product itself.
- Please check the web site nexo-sa.com for the latest update.

NEXO

nexo-sa.com
ZA du Pre de la Dame Jeanne
60128 PLAILLY - France

- Read this document before using.
- Keep this document.
- Observe all warnings and cautions.

