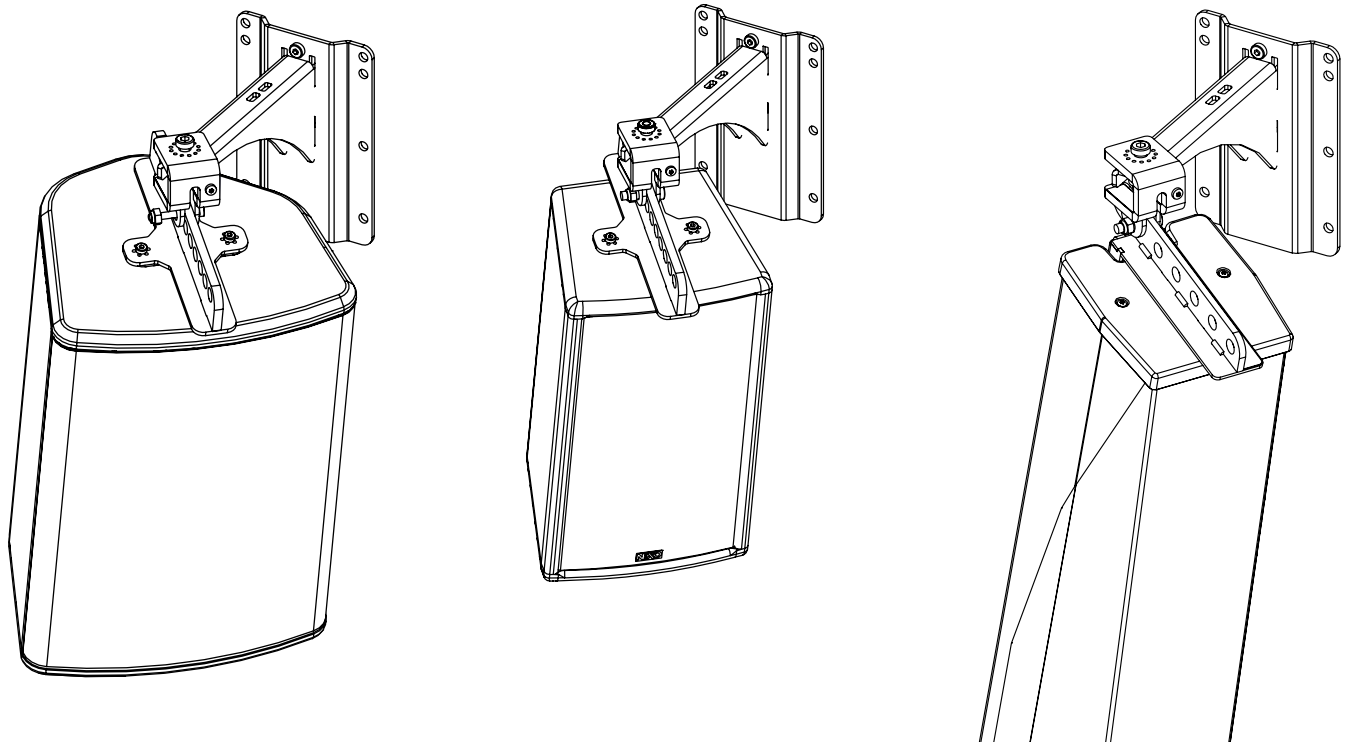


Fixed hanging bracket 200mm



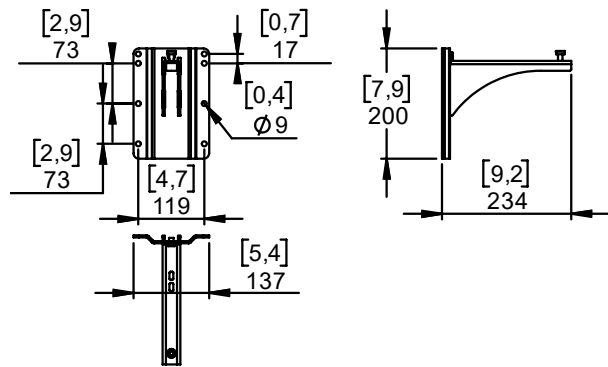
Contents:

<p>X1</p>	<p>X1</p>	<p>X1 M10 x 35</p>	<p>X1 M8 x 10</p>
-----------	-----------	------------------------	-----------------------

The type of the screws may differ from the representation.

Weight: 1.6 kg / 3.5 lb

Dimensions:



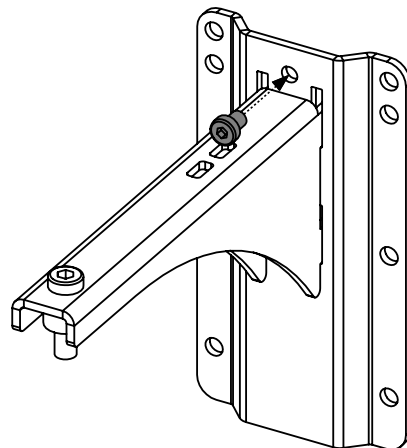
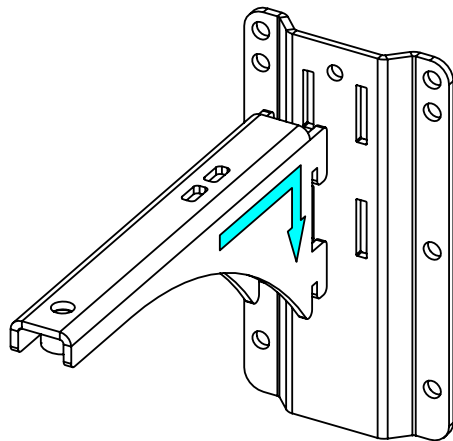
Safety Notes:

Please, select screws and mounting location supporting 4 times the system weight.
Inspect bolted assemblies periodically.

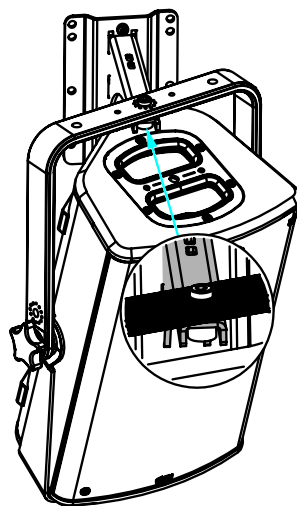
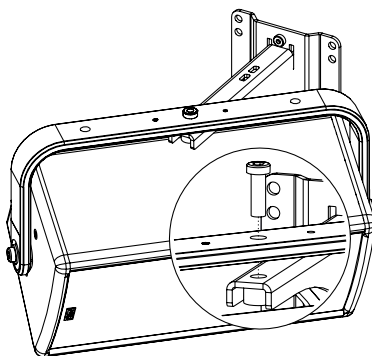
Use:

Mount the wall plate. Place the arm in the wall plate.

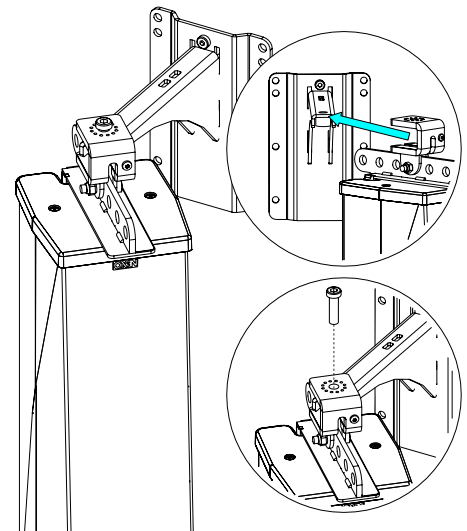
Lock with the provided screw.



With ePS6 and HBRK or P8 serie and HBRK / VBRK



With ID84 / BUMP / WMADAPT



- NEXO cannot accept responsibility for accidents caused by any factor other than defects in this product itself.
- Please check the web site nexo-sa.com for the latest update.



nexo-sa.com
ZA du Pre de la Dame Jeanne
60128 PLAILLY - France

- Read this document before using.
- Keep this document.
- Observe all warnings and cautions.

