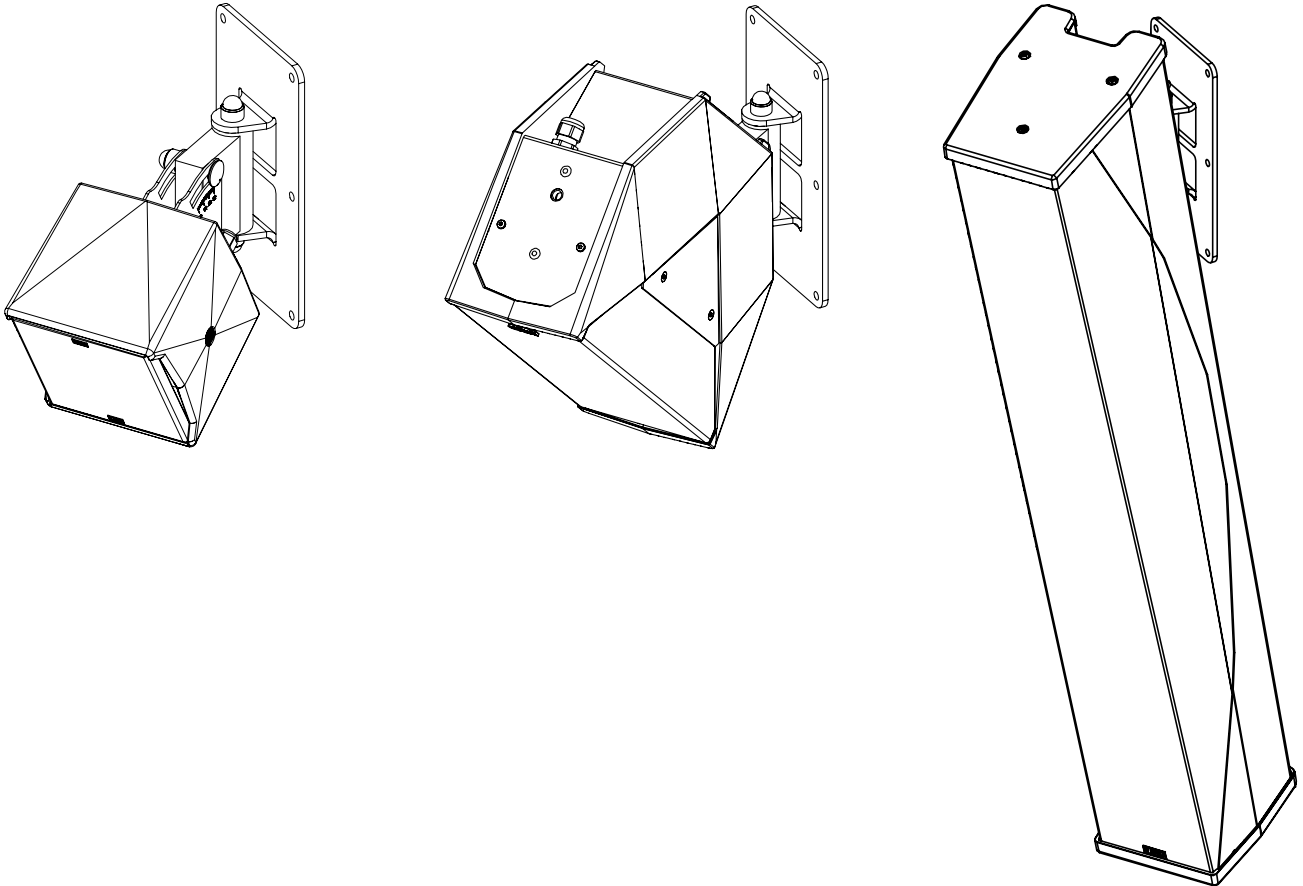


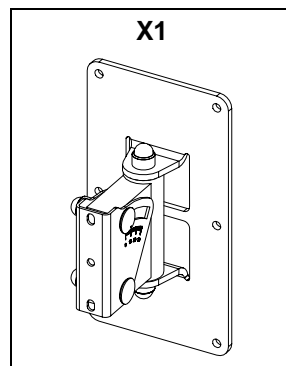
## Speaker Wall mount – 25kg max – 0° to 30°

**INDOOR USE:** IDI-WM02 (black) / IDI-WM02-PW (white)

**OUTDOOR USE:** IDI-WM02-OU (black) / IDI-WM02-PW-OU (white)



### Contents:



**Weight: 1.4 kg / 3.1 kg**

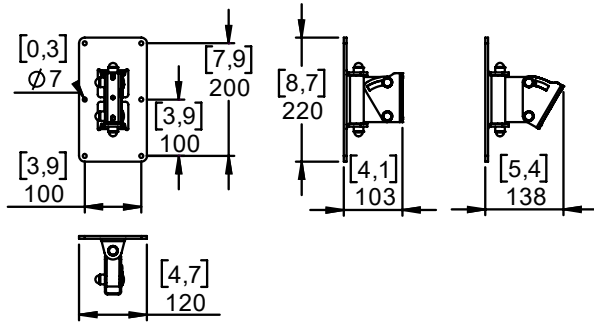


nexo-sa.com  
ZA du Pre de la Dame Jeanne  
60128 PLAILLY - France

- Read this document before using.
- Keep this document.
- Observe all warnings and cautions.



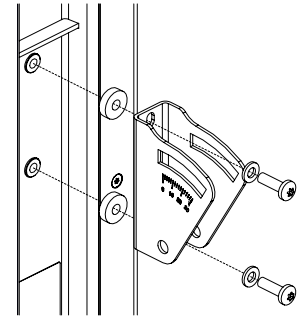
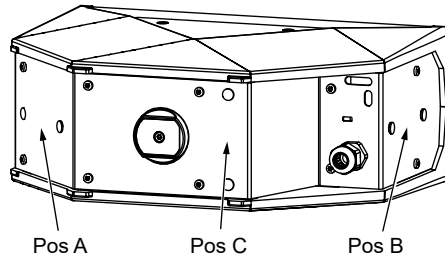
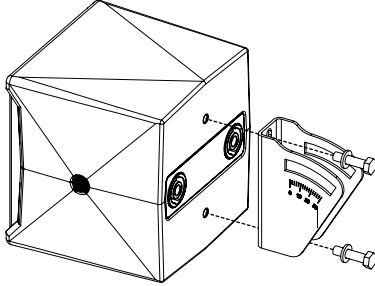
## Dimensions:



ID14 : rear footprint

ID24 : 3 footprints

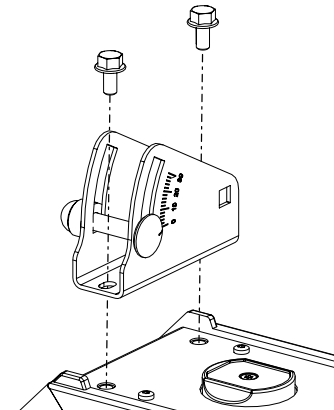
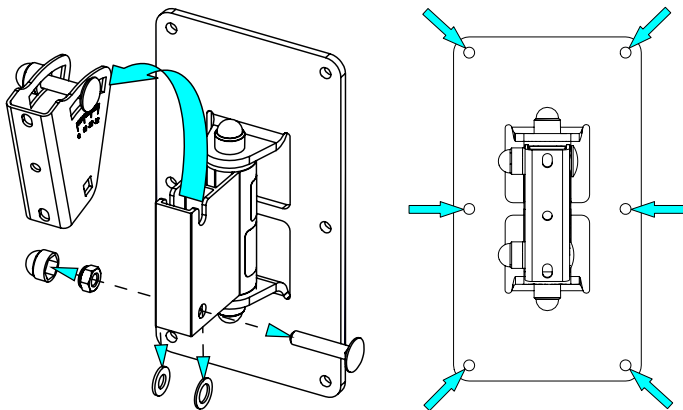
ID84 : Use the upper footprints  
Place the M6 spacers between ID84 and WM02.



## Assembly:

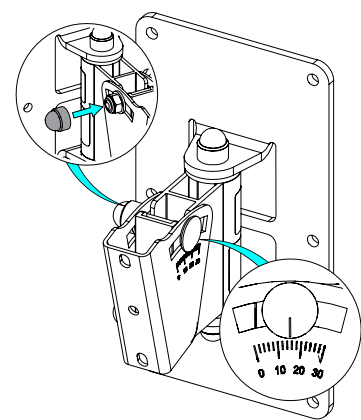
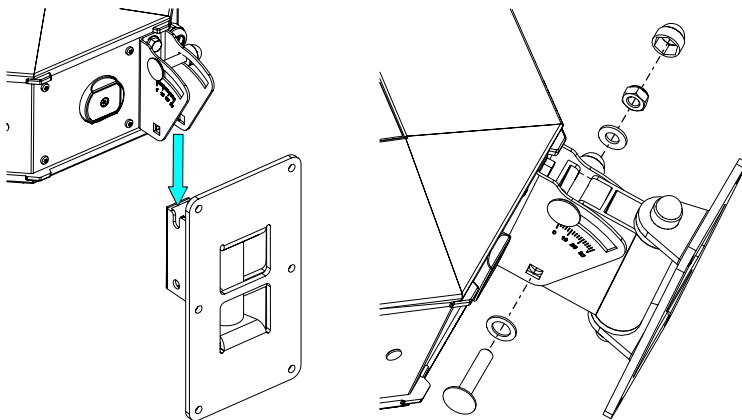
Separate speaker holder from wall plate.  
Screw the bracket to the wall (fasteners are not supplied).

Screw speaker plate to NEXO Speaker (use only screws provided with NEXO Speaker).



Place the speaker holder with Nexo speaker into the wall bracket.  
Fix by tightening bolted assembly.

Adjust the angle with the mark.  
Tight the bolt and put the escutcheon.



- NEXO cannot accept responsibility for accidents caused by any factor other than defects in this product itself.
- Please check the web site [nexo-sa.com](http://nexo-sa.com) for the latest update.

# NEXO

nexo-sa.com  
ZA du Pre de la Dame Jeanne  
60128 PLAILLY - France

- Read this document before using.
- Keep this document.
- Observe all warnings and cautions.

