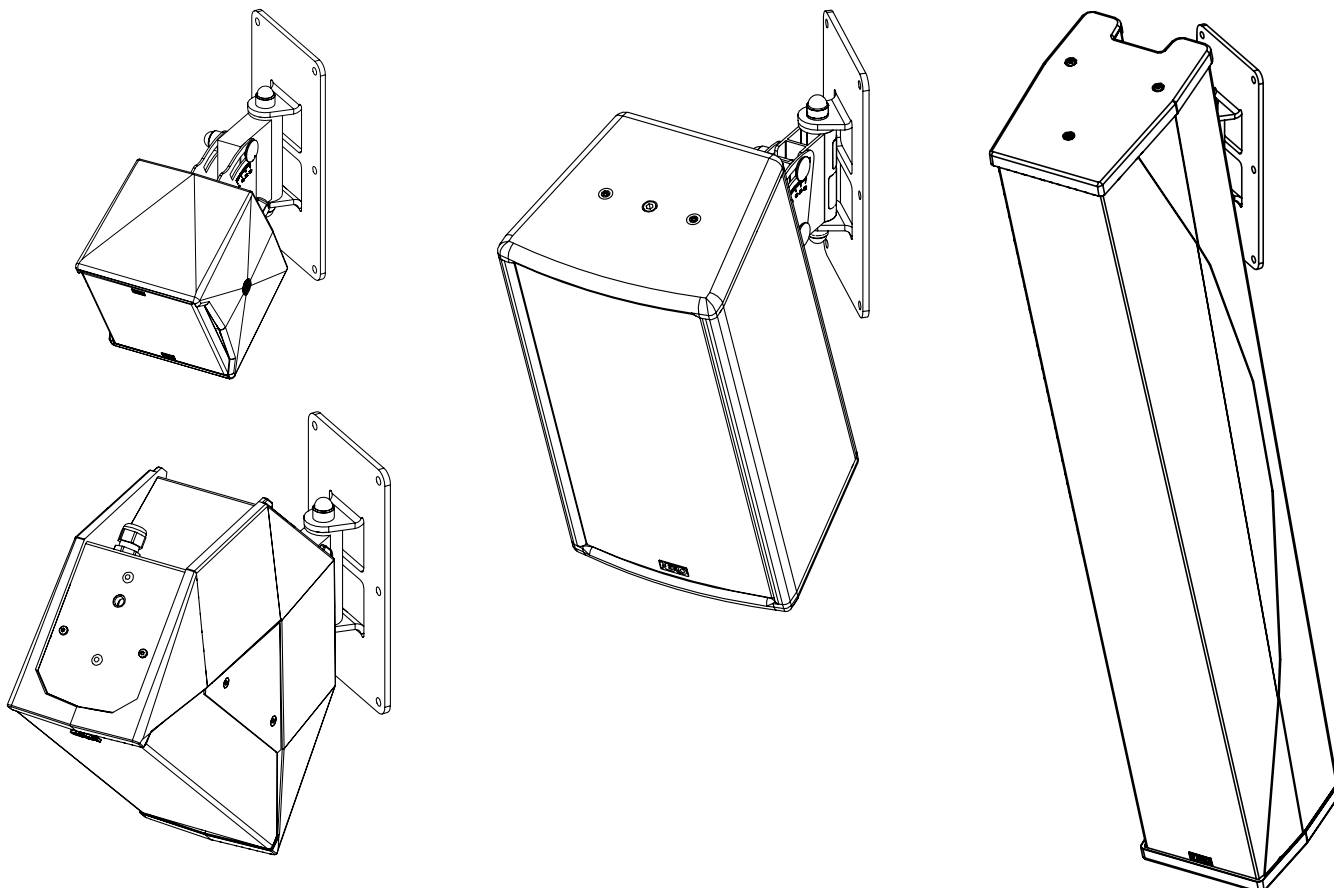


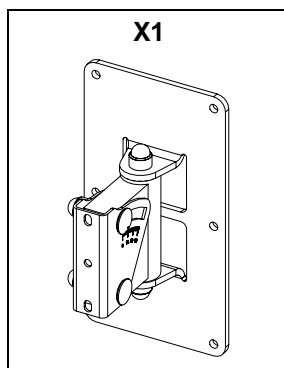
Speaker Wall mount – 25kg max – 0° to 30°

INDOOR USE: VNI-WM02 (black) / VNI-WM02-PW (white)

OUTDOOR USE: VNI-WM02-OU (black) / VNI-WM02-PW-OU (white)

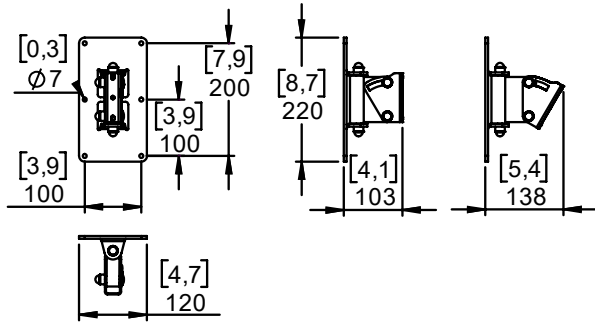


Contents:



Weight: 1.4 kg / 3.1 kg

Dimensions:



ID14 : rear footprint

ID24 : 3 footprints

Safety Notes:

Max load capacity: 25kg / 55lb.

For use only by trained installers.

Please select screws and mounting location supporting 4 times the system weight.

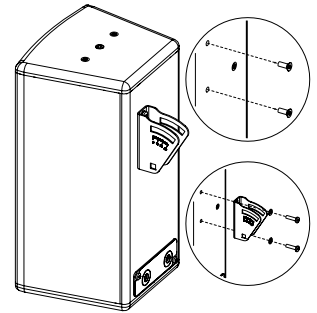
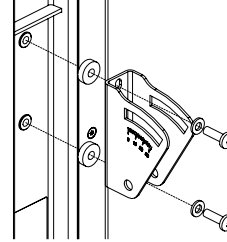
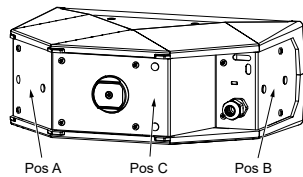
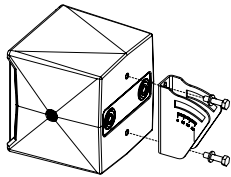
Inspect bolted assemblies periodically.

Possible angles with ID84:

0° to -6° vertical and ± 50° horizontal

ID84 : Use the upper footprints ePS : 2 footprints

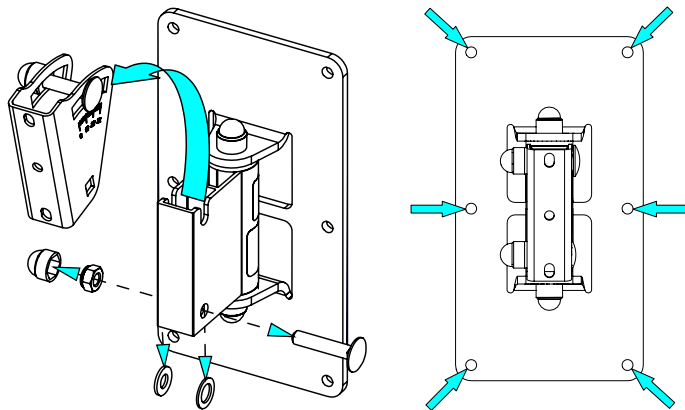
Place the M6 spacers between ID84 and WM02.



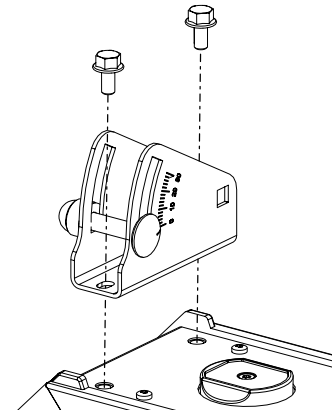
Assembly:

Separate speaker holder from wall plate.

Screw the bracket to the wall (fasteners are not supplied).

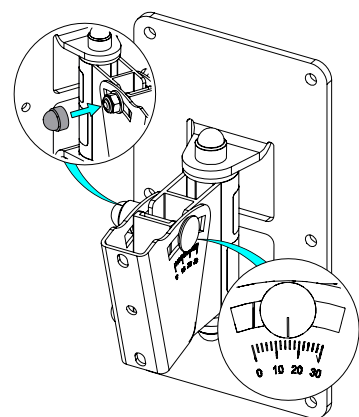
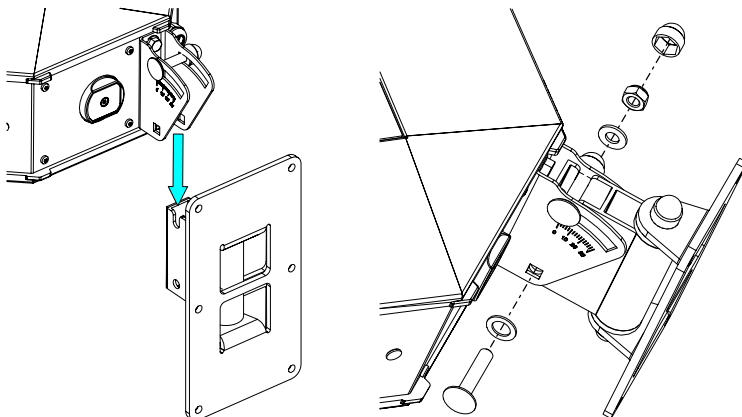


Screw speaker plate to NEXO Speaker (use only screws provided with NEXO Speaker).



Place the speaker holder with Nexo speaker into the wall bracket.
Fix by tightening bolted assembly.

Adjust the angle with the mark.
Tight the bolt and put the escutcheon.



- NEXO cannot accept responsibility for accidents caused by any factor other than defects in this product itself.
- Please check the web site nexo-sa.com for the latest update.

NEXO

nexo-sa.com

ZA du Pre de la Dame Jeanne
60128 PLAAILLY - France

- Read this document before using.
- Keep this document.
- Observe all warnings and cautions.

