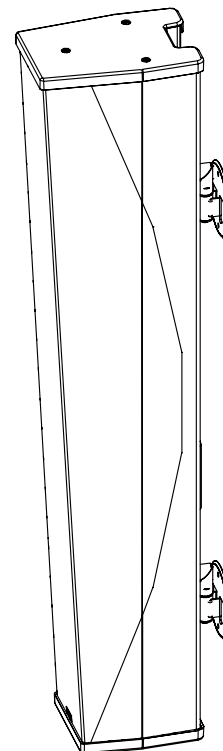
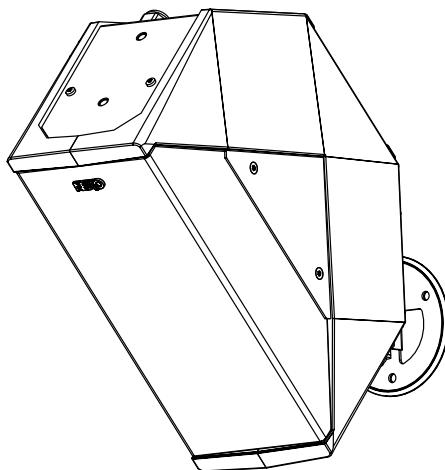
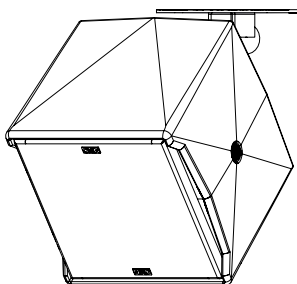
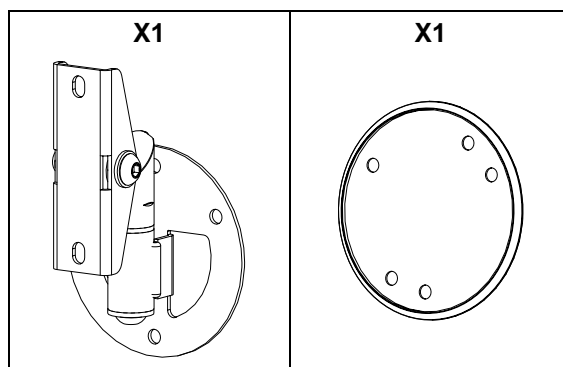


Speaker Wall Mount



Contents:



Weight: 0.5 kg / 1.1 lb

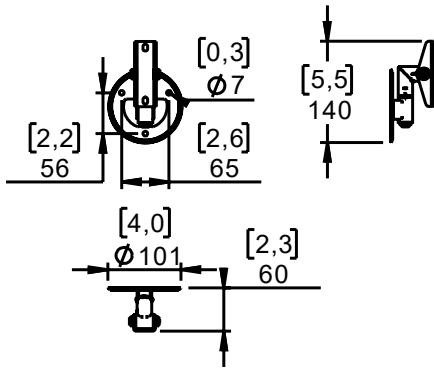


nexo-sa.com
ZA du Pre de la Dame Jeanne
60128 PLAILLY - France

- Read this document before using.
- Keep this document.
- Observe all warnings and cautions.



Dimensions:



Safety Notes:

Please select screws and mounting location supporting 4 times the system weight.

For use only by trained installers.

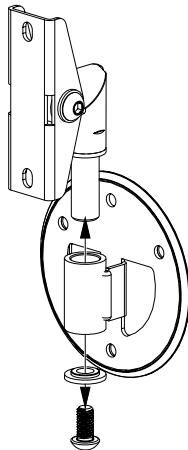
For use only at proper walls with adequate anchors.

Inspect bolted assemblies periodically.

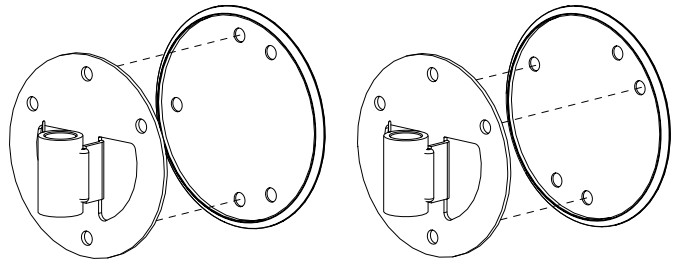
For indoor use only.

Assembly:

Separate speaker holder from wall plate.

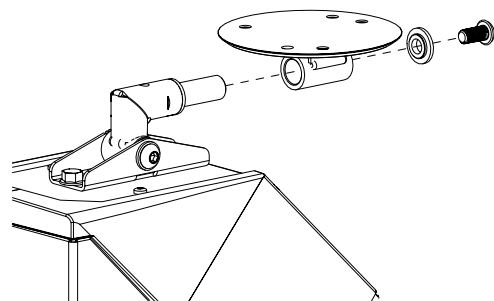
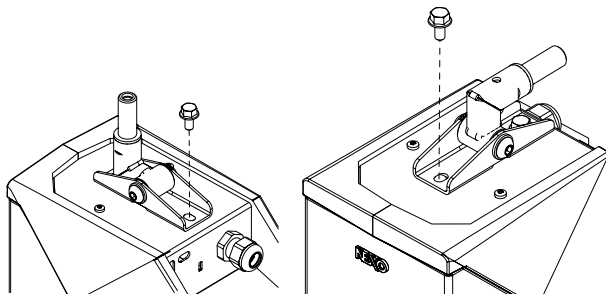


Screw the wall plate with the decorative plate to the wall. Use two or three screws (not supplied).

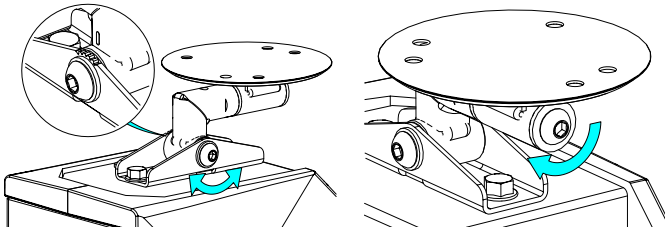


Screw speaker plate to NEXO Speaker (use screws provided with NEXO Speaker).

Place the speaker holder with NEXO Speaker into the wall bracket. Fix by tightening bolted assembly.



Use a 5mm ALLEN wrench for holding the tilt positions.



NEXO

nexo-sa.com

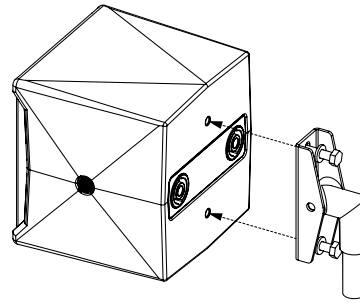
ZA du Pre de la Dame Jeanne
60128 PLAILLY - France

- Read this document before using.
- Keep this document.
- Observe all warnings and cautions.



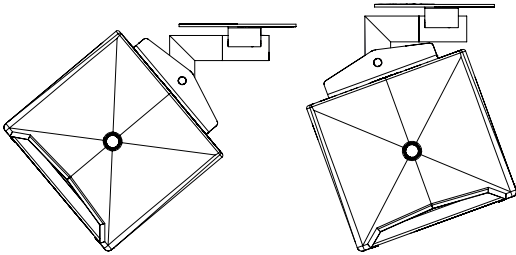
Use with ID14

Screw speaker plate to ID14 (use screws provided with ID14 – 10mm wrench).



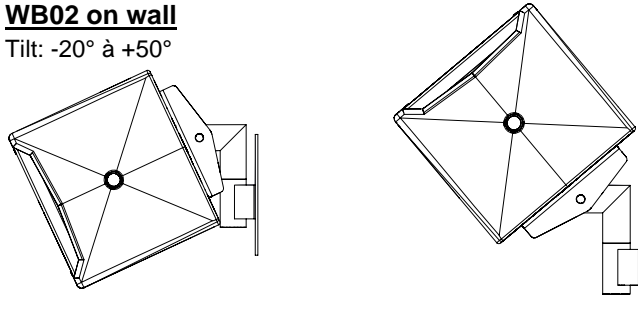
WB02 on ceiling

Tilt: -40° à -110°

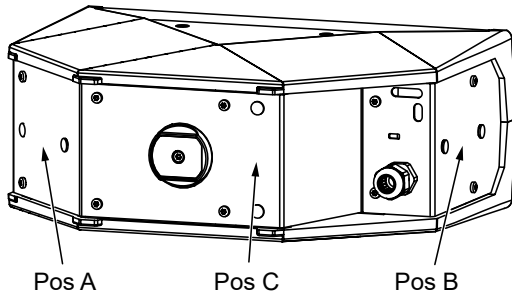


WB02 on wall

Tilt: -20° à +50°



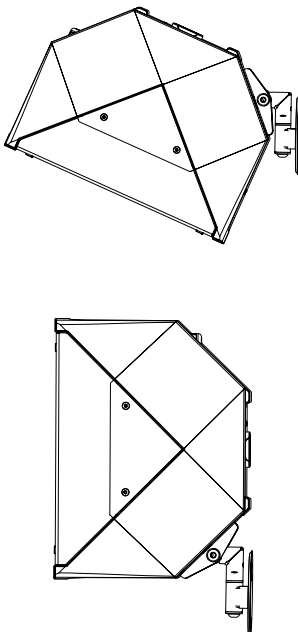
Use with ID24 :



The angle adjustments depends on the position of the accessory.

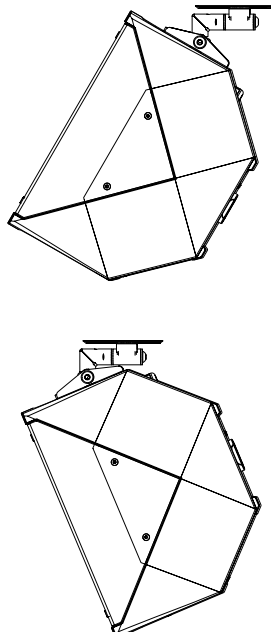
Pos A

Tilt: -80° to 0°



Pos B

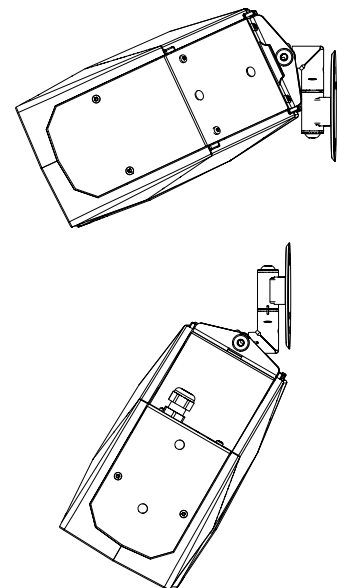
Tilt: -80° to +30°



Pos C

Tilt:

- -20° to +60°
- -60° to +20°



NEXO

nexo-sa.com
ZA du Pre de la Dame Jeanne
60128 PLAILLY - France

- Read this document before using.
- Keep this document.
- Observe all warnings and cautions.



Use with ID84 :

Use 2x WB02 to fix 1x ID84 to the wall.

± 35° horizontal

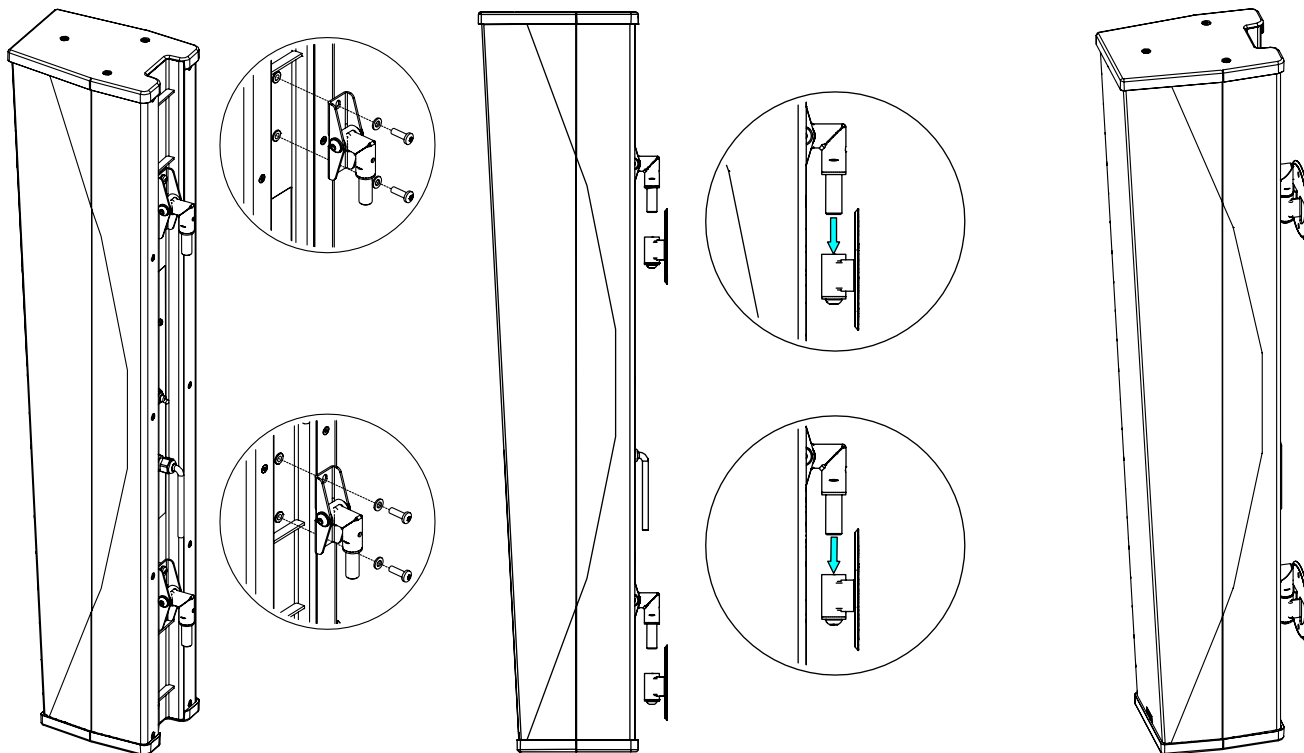
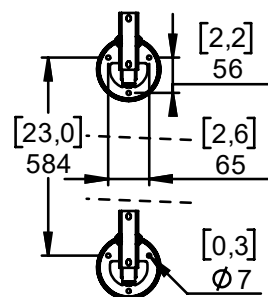
Fix the wall plates.

Place the M6 spacers between ID84 and WB02, fix the brackets on ID84.

Place the ID84 / WB02 assembly on the wall plates.

Tighten to lock the horizontal adjustment position.

Fixing distance



- NEXO cannot accept responsibility for accidents caused by any factor other than defects in this product itself.
- Please check the web site nexo-sa.com for the latest update.

NEXO

nexo-sa.com
ZA du Pre de la Dame Jeanne
60128 PLAILLY - France

- Read this document before using.
- Keep this document.
- Observe all warnings and cautions.

