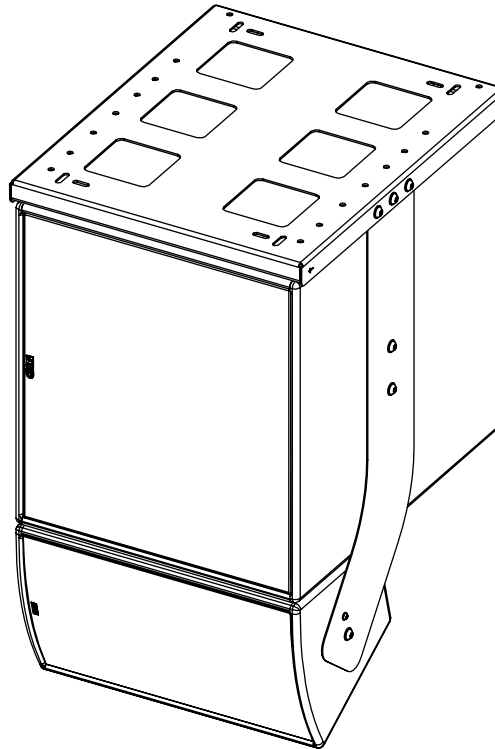
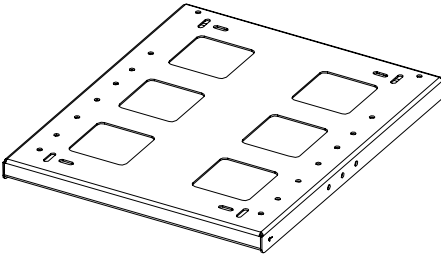
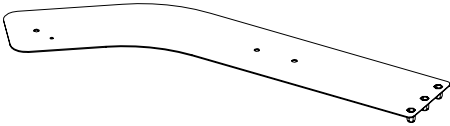

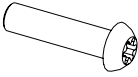
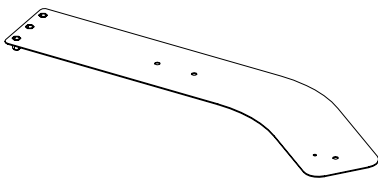





## Coupler ePS10 – eLS18



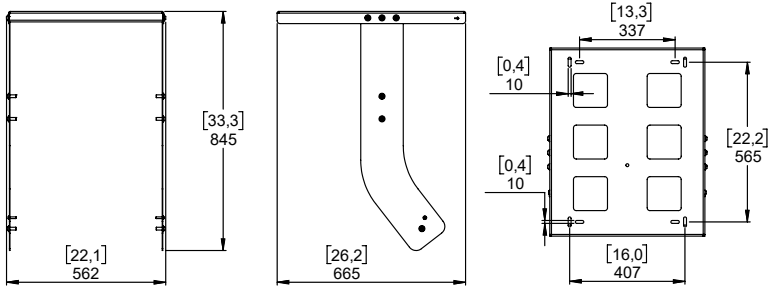
**Contents:**

<p><b>X1 Top Frame</b></p> 	<p><b>X1 Left Plate</b></p> 	<p><b>X2 M6</b></p> 	<p><b>X2 M6x25</b></p> 
	<p><b>X1 Right Plate</b></p> 	<p><b>X12 M10</b></p> 	<p><b>X6 M10x25</b></p> 
			<p><b>X6 M10x30</b></p> 

\*\* The type of the screws may differ from the representation

**Weight: 14 kg / 31 lb**

## Dimensions



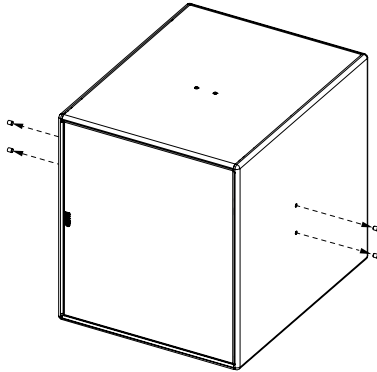
## Warnings

Ensure that the mounting location and fasteners can support at least 4 times the weight of all the installed cabinets, auxiliary equipment and cables.

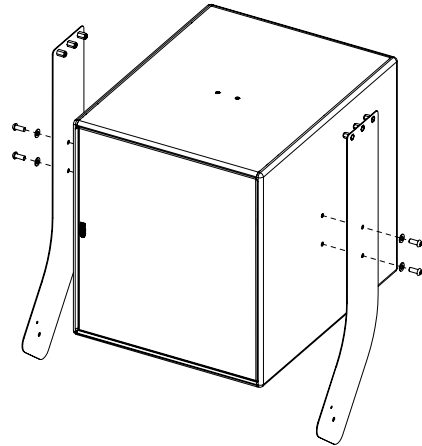
Use only the provided screws (thread lock coated) and accessories.

## Assembly

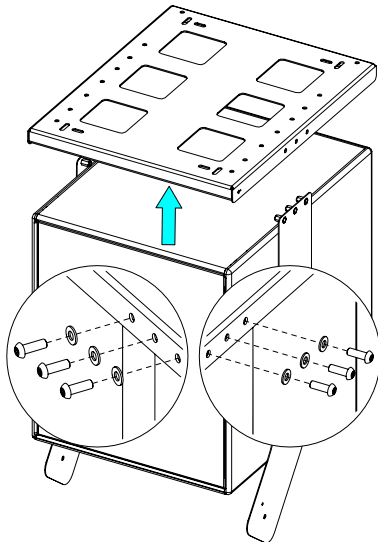
Remove the screws on both sides.



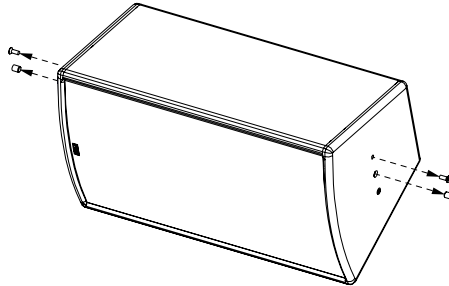
Assemble the Plates on each side of eLS18 using the M10x25 screws.



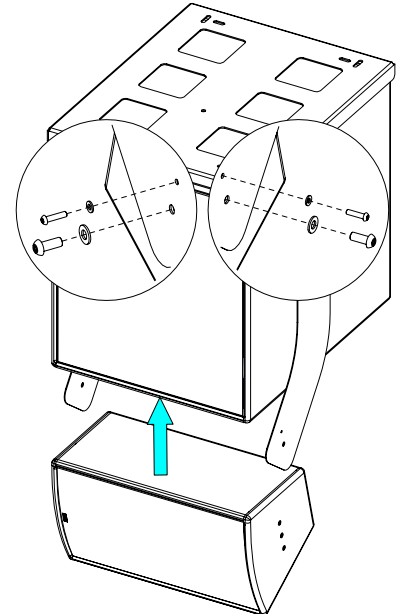
Place the assembly below the frame plate. Pay attention to the mounting direction, see the mark on the top frame. Fasten the M10x30 screws.



Remove the screws on both sides of ePS10.



Place ePS10, fasten with M10x25 and M6x25 screws.



Hole*	1	2	3	4	5	6	7	8
Angle (+/- 1°)	+27	+21	+12	+3	-6	-16	-25	-38

\*Hole from the front of the cabinet

- NEXO cannot accept responsibility for accidents caused by any factor other than defects in this product itself.
- Please check the web site [nexo-sa.com](http://nexo-sa.com) for the latest update.

# NEXO

nexo-sa.com  
ZA du Pre de la Dame Jeanne  
60128 PLAILLY - France

- Read this document before using.
- Keep this document.
- Observe all warnings and cautions.

