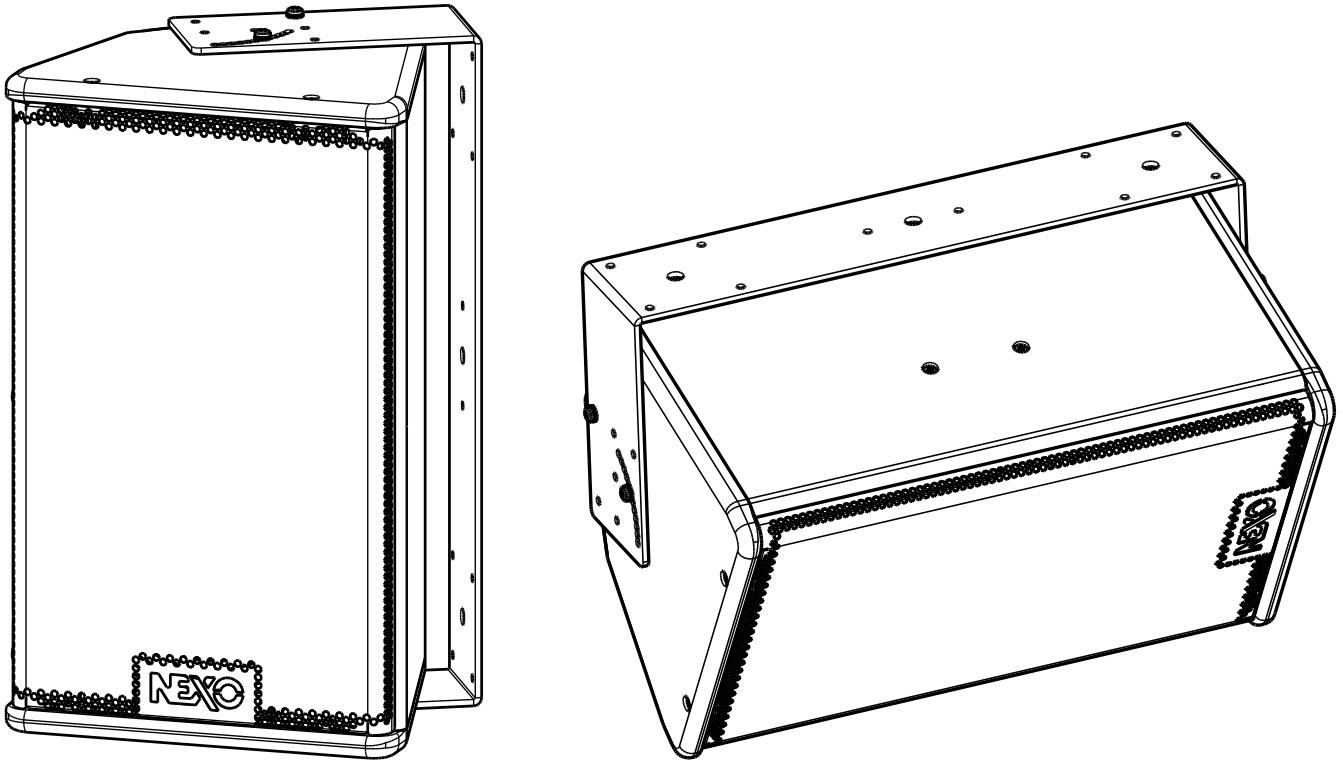
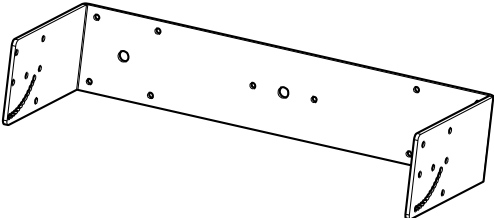
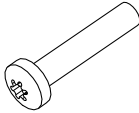



### Bracket « U » for PS8



#### Contents:

<p>X1</p> 	<p>X3 (M5x25)</p> 	<p>X3 (M5)</p> 
--	---	--

Weight: 2.4 kg / 5.3 lb

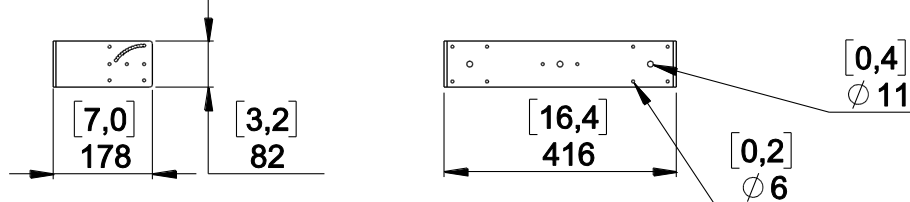


nexo-sa.com  
ZA du Pre de la Dame Jeanne  
60128 PLAILLY - France

- Read this document before using.
- Keep this document.
- Observe all warnings and cautions.



## Dimensions:

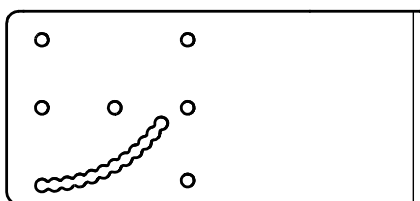


## Use:

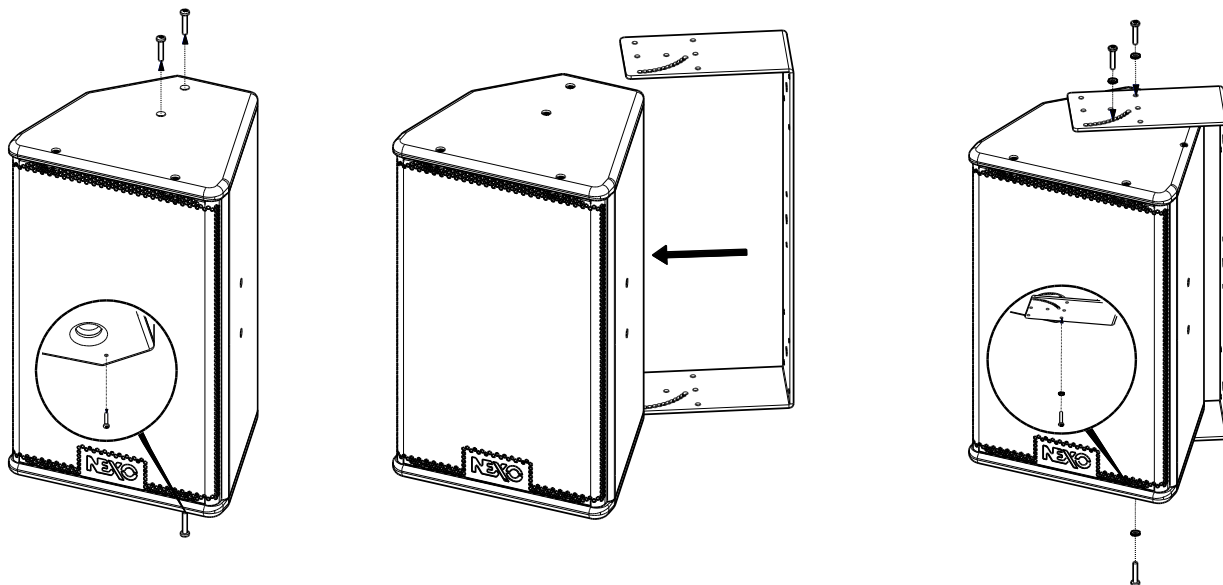
### IMPORTANT

Ensure that the surface - wall or ceiling - is strong enough to hold 4 times PS cabinet weight and that the screws 12mm diameter and corresponding plugs required to fix the "U" bracket on the wall or under the ceiling are properly dimensioned.

- 12mm diameter screws (not provided) are required to secure the "U" Bracket on the wall or ceiling.
- Remove the 2 screws on upper and 1 on lower side of PS8.
- Position the PS8 inside the "U" Bracket to desired angle; "U" Bracket oblong holes must be properly aligned with panels holes; Use 2 holes or 1 and the oblong hole to adjust the angle.



- Use the screws and washer provided to connect "U" bracket to cabinet.



**WARNING: Screws must be secured using Loctite 243™**

- NEXO cannot accept responsibility for accidents caused by any factor other than defects in this product itself.
- Please check the web site [nexo-sa.com](http://nexo-sa.com) for the latest update.

# NEXO

nexo-sa.com

ZA du Pre de la Dame Jeanne  
60128 PLAILLY - France

- Read this document before using.
- Keep this document.
- Observe all warnings and cautions.

