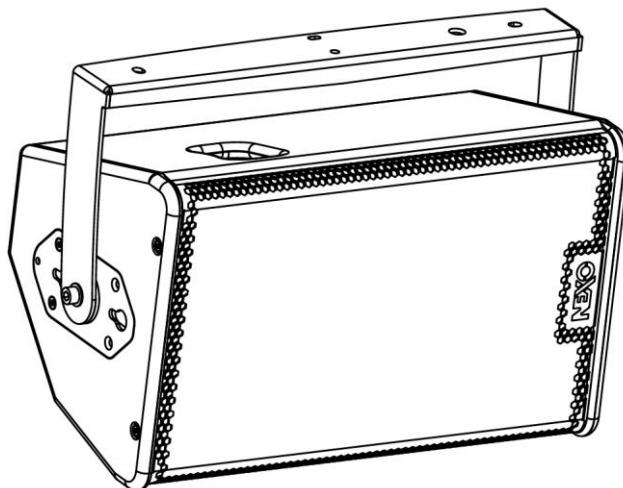


### 'U' BRACKET for PS10



#### Contents:

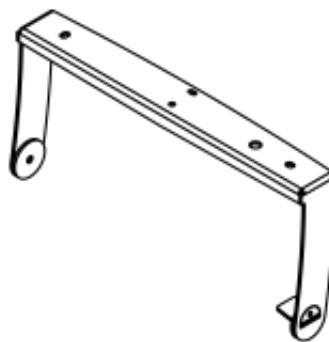
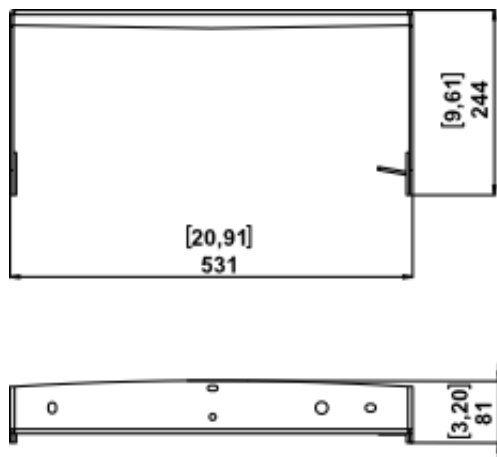
X1	X1	X1	<u>M10</u>	X1	<u>M6</u>	X1	<u>M6x20</u>	X1	<u>M10x20</u>

Parts below are only used in conjunction with NEXO Wall Bracket: VNI-WS10.






X1	X1	X1	<u>M8x45</u>	X1	<u>M8</u>	X1	<u>M8</u>


Weight: 2.5 kg / 5.5 lb

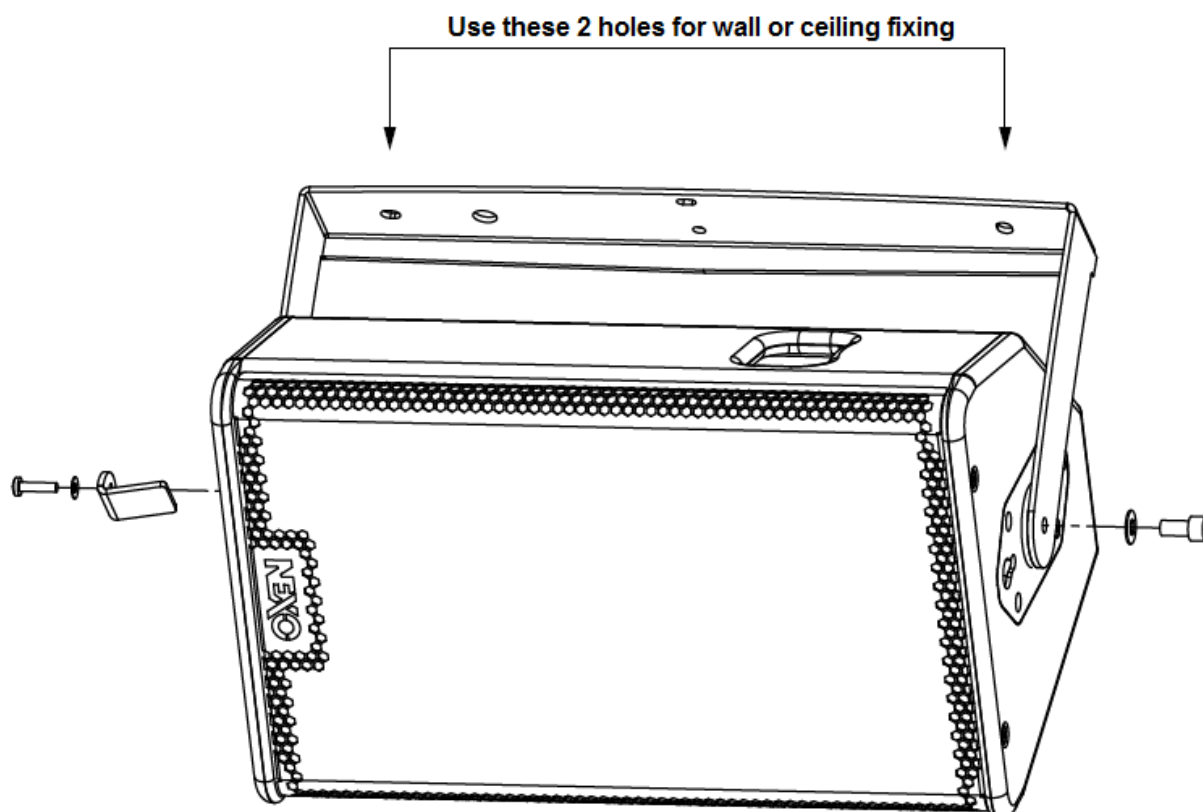
## Dimensions:



## Assemblage on Cabinet:


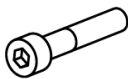


X1	X1	X1	X1	X1
	<u>M10</u> 	<u>M6</u> 	<u>M6x20</u> 	<u>M10x20</u> 

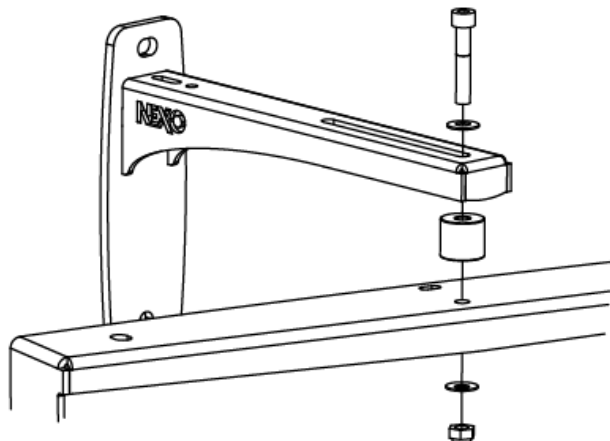
 **WARNING:** Screws must be secure using Loctite 243 <sup>TM</sup>





## Assemblage on VNI-WS10

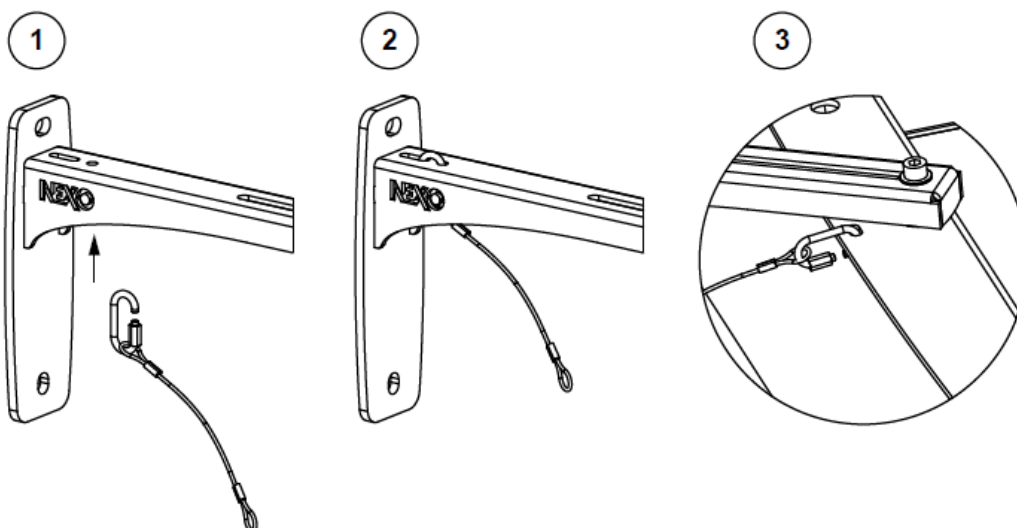
Use only VNI-UBRK10 provided Fasteners (See below), and M8 washer from VNI-WS10.

<p>X1</p> 	<p>X1</p> <p><u>M8x45</u></p> 	<p>X1</p> <p><u>M8</u></p> 	<p>X2</p> <p><u>M8</u></p> 
---	---	---	--



## Safety Device Mounting

<p>X1</p> 	<p>X2 (The second Quick Link is provided with VNI-WS10)</p> 
---	---



- **NEXO** cannot accept responsibility for accidents caused by any factor other than defects in this product itself.