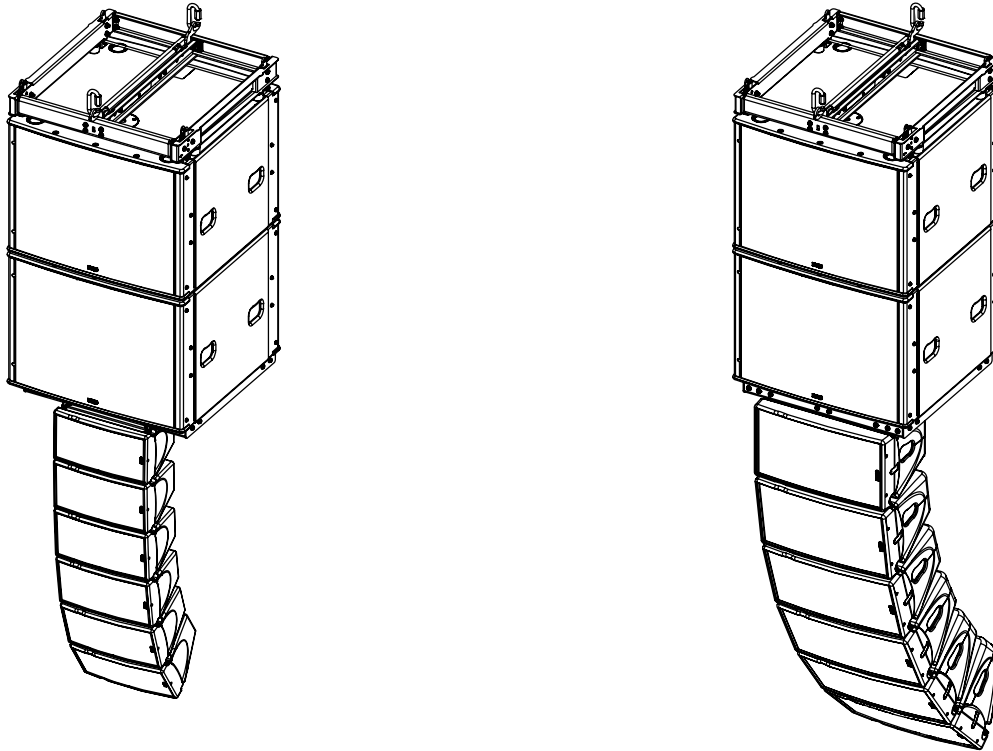
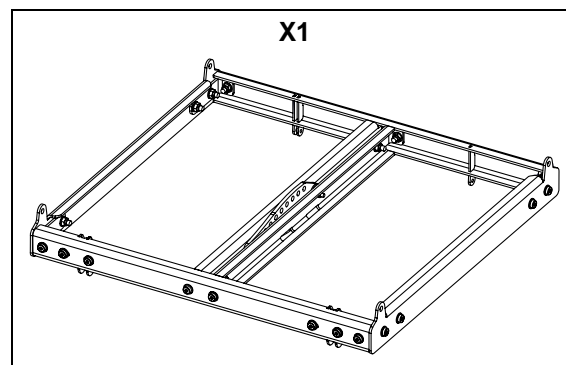


Adapter MSUB18-I to GEOM6 / GEOM10-I



Contents:



Weight: 11 kg / 22 lb

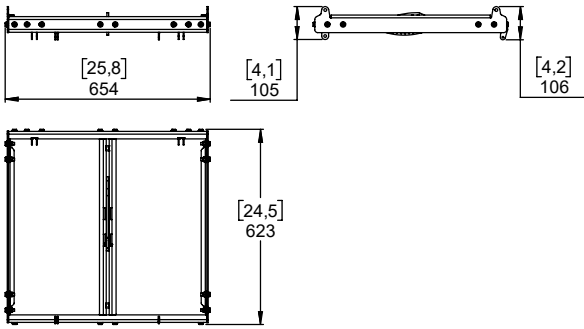


nexo-sa.com
ZA du Pre de la Dame Jeanne
60128 PLAILLY - France

- Read this document before using.
- Keep this document.
- Observe all warnings and cautions.



Dimensions:



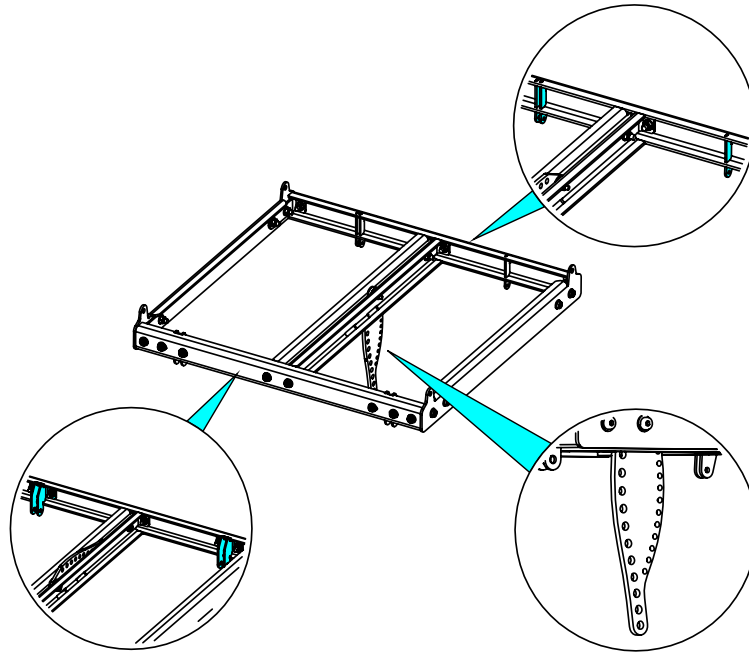
WARNING:

Max: $N_{\text{GEOM10}} + 1.5N_{\text{MSUB18}} \leq 12$ / $N_{\text{GEOM6}} + 1.5N_{\text{MSUB18}} \leq 12$

Use NEXO Simulation Software for mechanical prediction

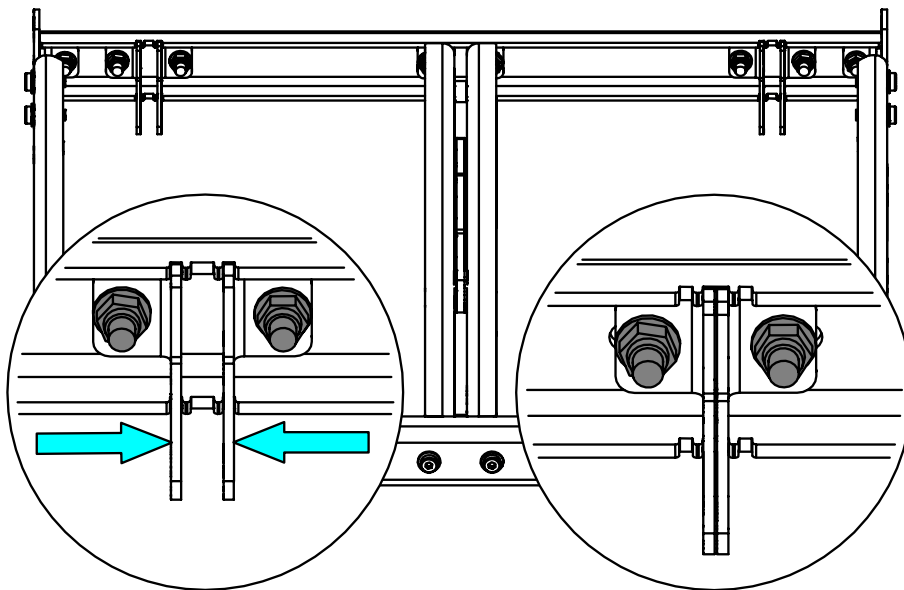
Equipment

A side with rigging for GEOM6, and another side for GEOM10. A LinkBar allows you to connect the rear of the box.



Configuration for GEOM10 left or right

Adjust RigLink for GEOM10, untight the screws, move the RigLinks.



NEXO

nexo-sa.com
ZA du Pre de la Dame Jeanne
60128 PLAILLY - France

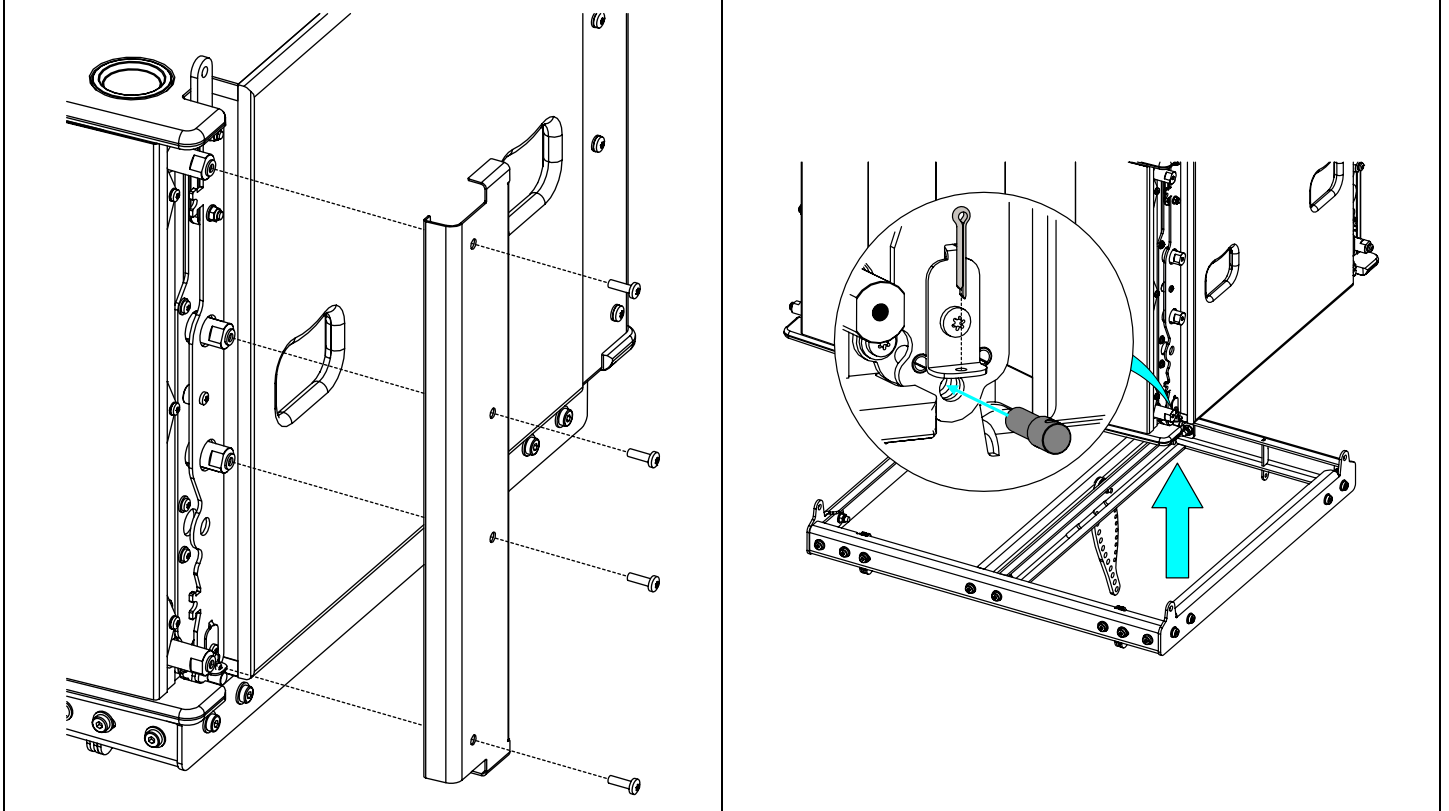
- Read this document before using.
- Keep this document.
- Observe all warnings and cautions.



Assembly on MSUB18-I:

Remove the 4 corner plates (TX30)

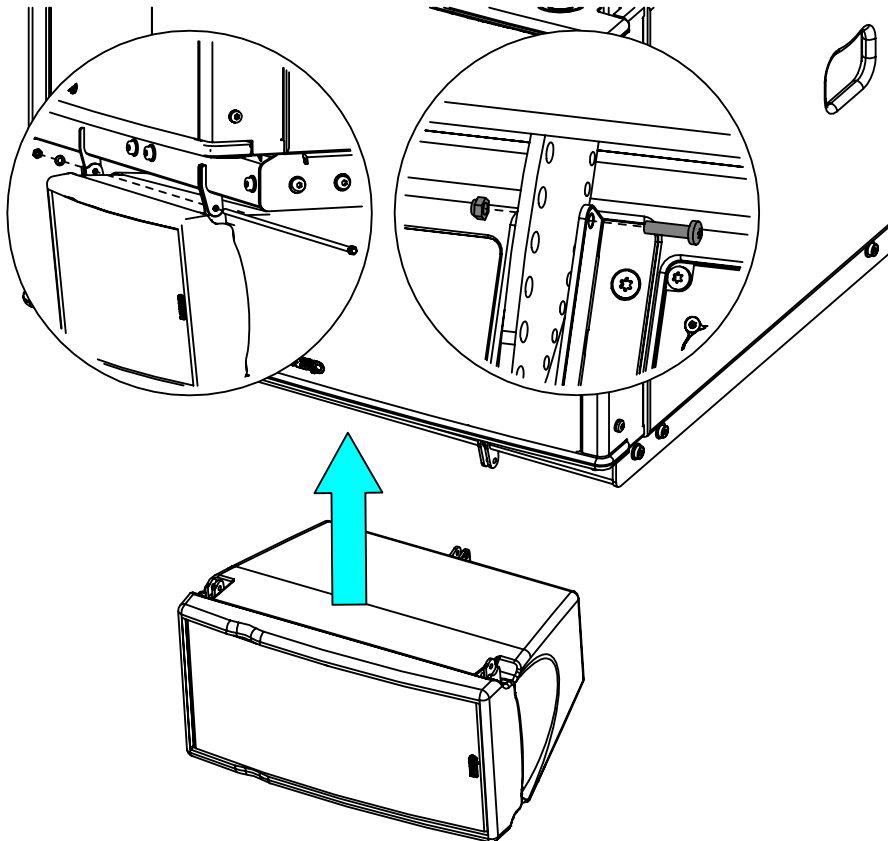
Place VNI-LNKM61018, insert the axis and secure by bending the legs.



Assembly with GEOM6 and GMI-BNFIK (6x GEOM6 max):

Insert the axis and the washers (M5) and secure with the brake nuts (M5).

Adjust the appropriate inter-angle value with the Hybrid LinkBar and secure with provided screws.



NEXO

nexo-sa.com

ZA du Pre de la Dame Jeanne
60128 PLAILLY - France

- Read this document before using.
- Keep this document.
- Observe all warnings and cautions.

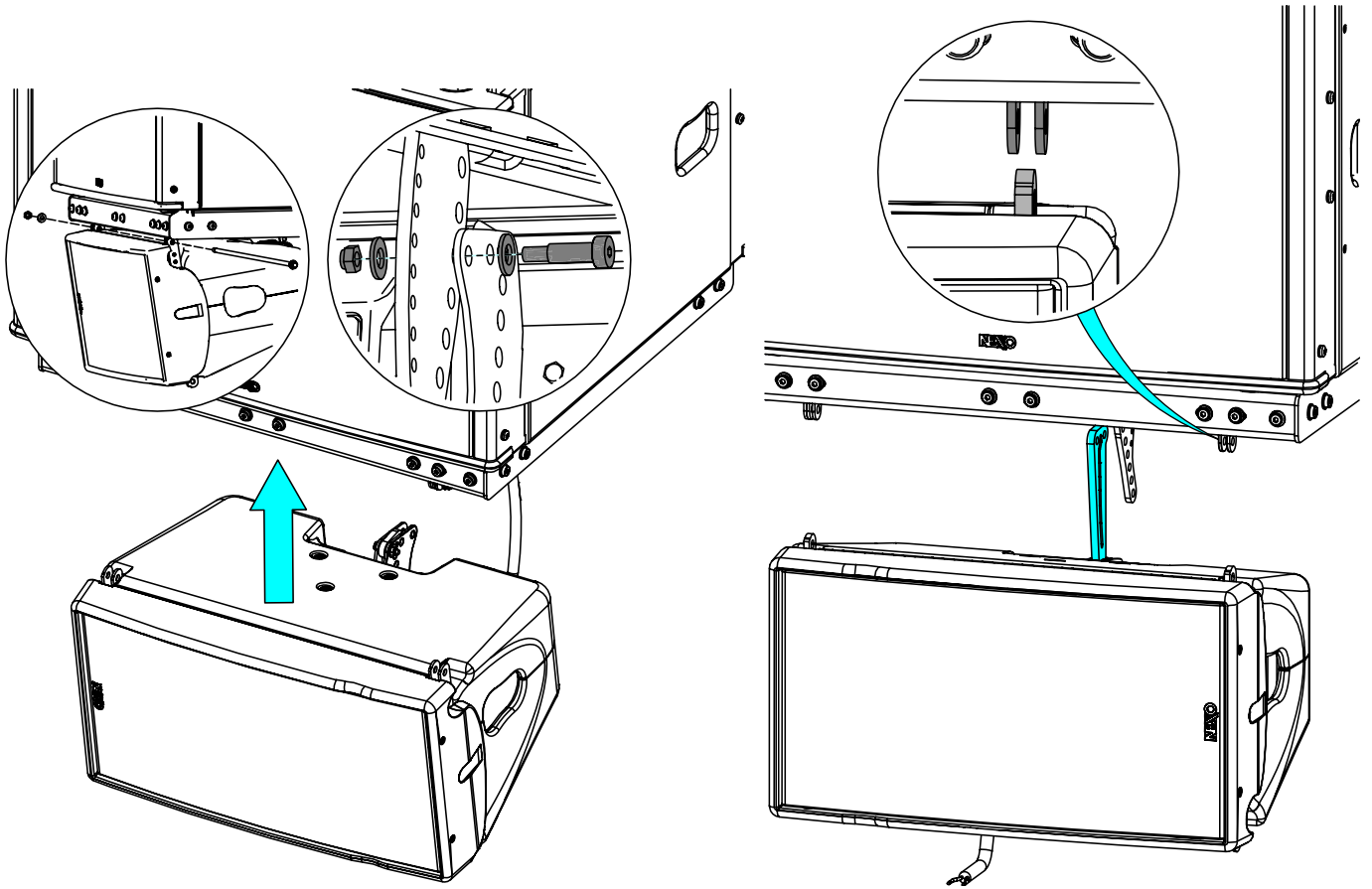


Assembly with GEOM10-I (6x GEOM10 max):

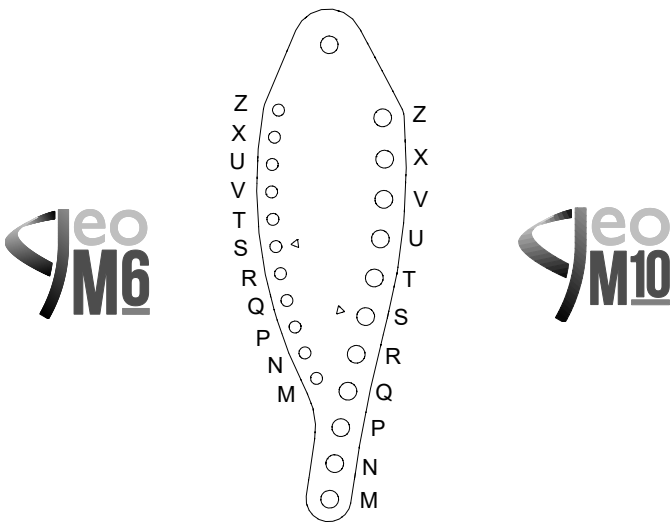
Insert the axis and the washers (M8) and secure with the brake nuts (M8).

Adjust the appropriate inter-angle value with the Hybrid LinkBar and secure with provided screws.

For left configuration (HF waveguide is left), remove the LinkBar of the first GEOM10-I (see right picture).



Inter-angle with the first GEOM6 or GEOM10.



MARK	Angle
Z	+15°
X	+12°
V	+9°
U	+6°
T	+3°
S	0°
R	-3°
Q	-6°
P	-9°
N	-12°
M	-15°

- NEXO cannot accept responsibility for accidents caused by any factor other than defects in this product itself.
- Please check the web site nexo-sa.com for the latest update.