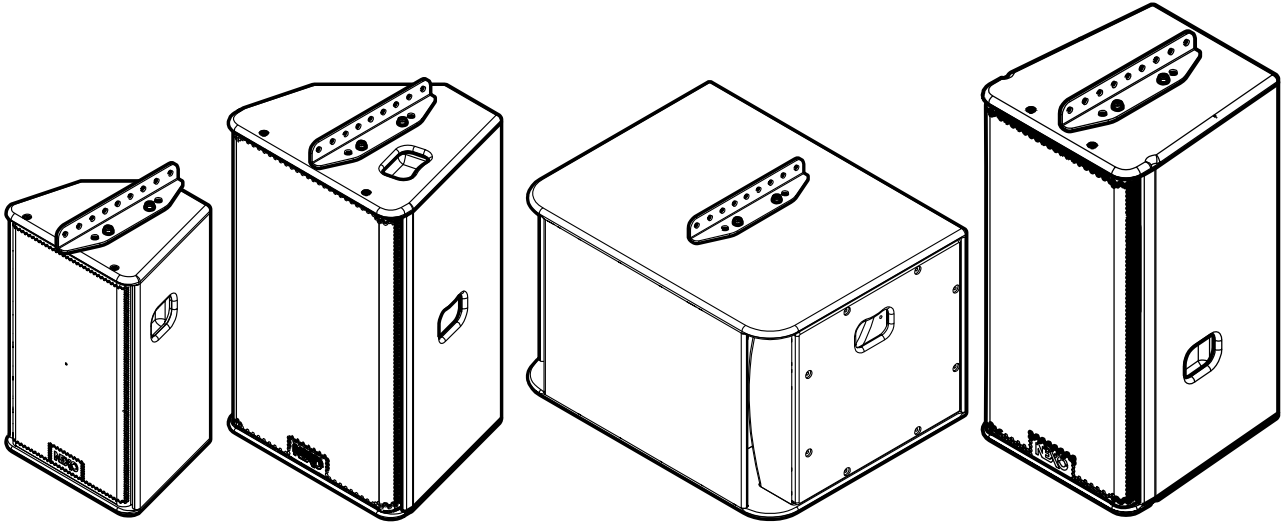
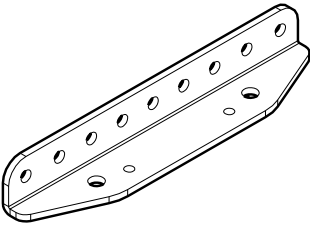
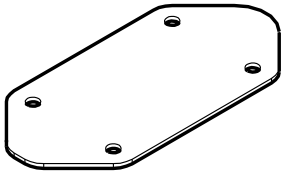
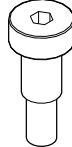
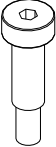

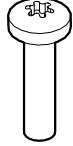






Long Mounting Plate



Contents:

<p>X1</p> 		<p>X1</p> 		<p>X2 (D8x12) VXTCHCD812</p> 	<p>X2 (D8x20) VXTCHCD820</p> 
<p>X2 (M8) VRX8RS</p> 	<p>X2 (M6x25) VXTCBX625N</p> 	<p>X2 (M6) VRA6N</p> 	<p>X2 (M12x35) VXTH1235</p> 	<p>X4 (M12) VRA12XN</p> 	<p>X2 (M12) VNYLST12</p> 

Weight: 1.6 kg / 3.5 lb

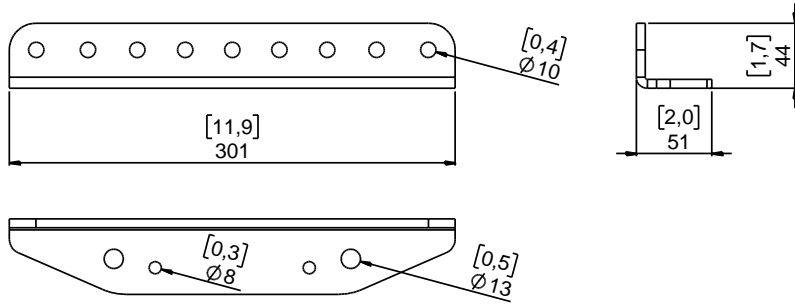
NEXO

nexo-sa.com
ZA du Pre de la Dame Jeanne
60128 PLAILLY - France

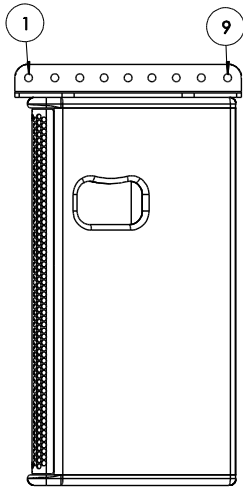
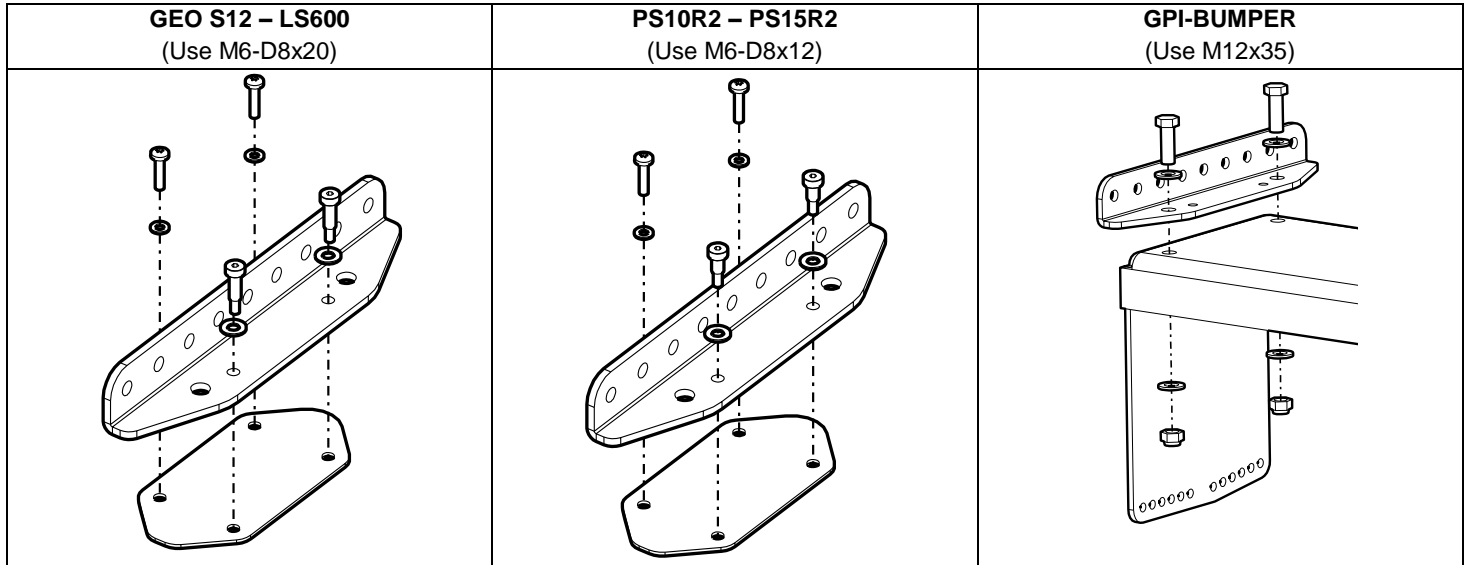
- Read this document before using.
- Keep this document.
- Observe all warnings and cautions.



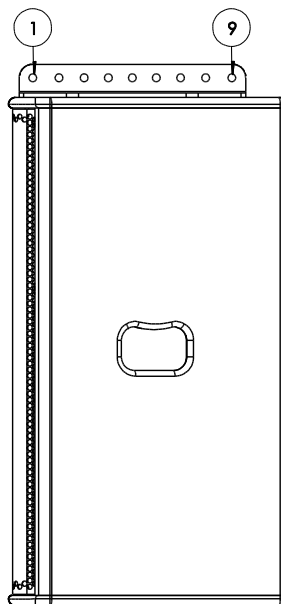
Dimensions:



Use:



PS10R2



PS15R2

Position (°)	PS10R2	PS15R2
1	+26	+22
2	+19	+17
3	+12	+11
4	+5	+6
5	-2	+1
6	-9	-4
7	-15	-9
8	-22	-15
9	-29	-20

Warning:

- Use only provided screws (thread lock coated or use Loctite 243).
- Be sure that the mounting location and fastener can bear at least 4 times the weight of the of all installed cabinets, auxiliary equipment and cables.

- NEXO cannot accept responsibility for accidents caused by any factor other than defects in this product itself.
- Please check the web site nexo-sa.com for the latest update.

NEXO

nexo-sa.com

ZA du Pre de la Dame Jeanne
60128 PLAILLY - France

- Read this document before using.
- Keep this document.
- Observe all warnings and cautions.

