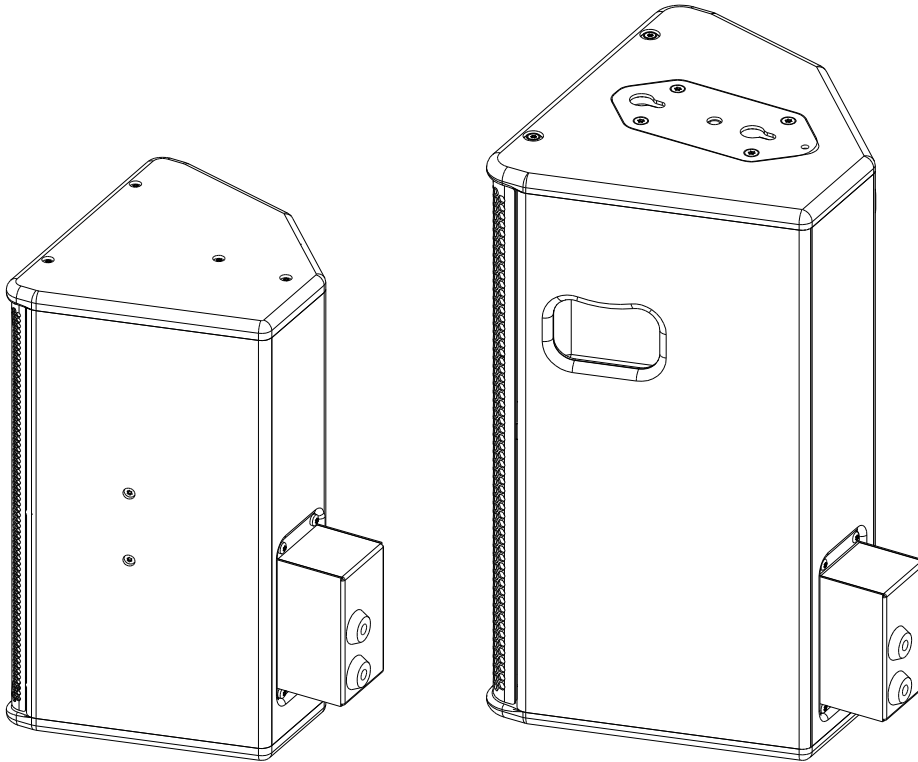
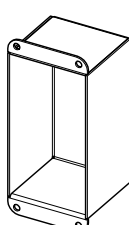
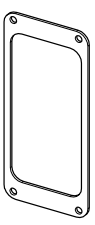
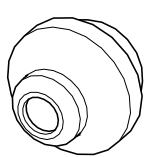


Connector Box PS8 – PS10R2 (IP54)

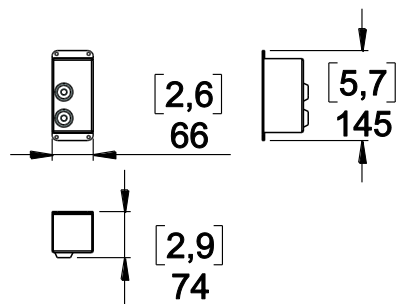


Contents:

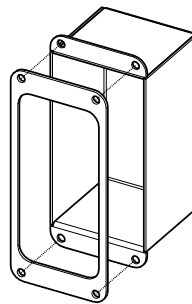
<p>X1</p> 	<p>X1</p> 	<p>X2</p> 
--	--	--

Weight: 0.43 kg / 0.95 lb

Dimensions:

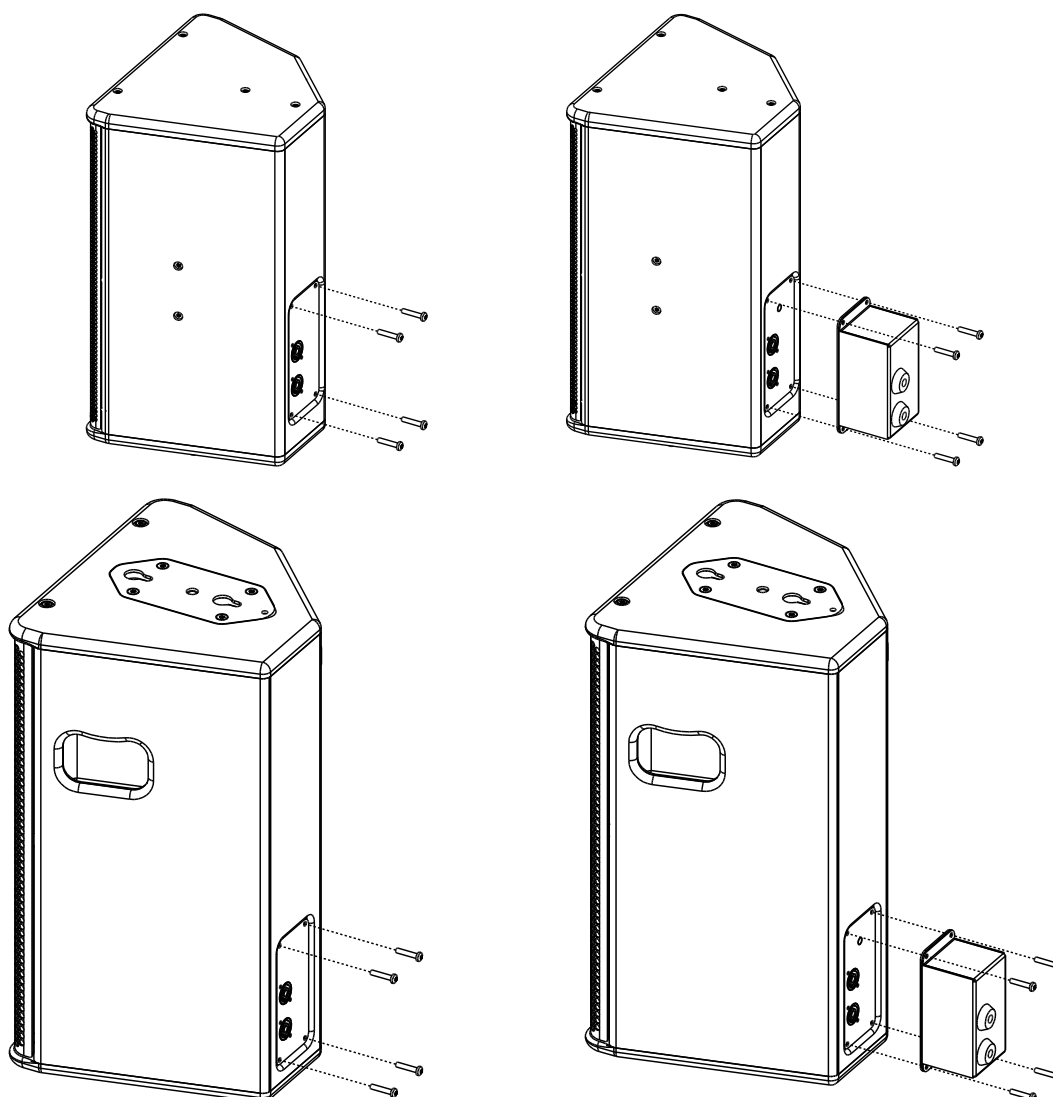


Positioning the gasket



Use:

- Remove the 4 screws of the connector panel;
- Positioning the connector – Pass the cable in the plastic ring – Fix with the connector panel;



IP54 only with PS10R2

- NEXO cannot accept responsibility for accidents caused by any factor other than defects in this product itself.
- Please check the web site nexo-sa.com for the latest update.

NEXO

nexo-sa.com

ZA du Pre de la Dame Jeanne
60128 PLAILLY - France

- Read this document before using.
- Keep this document.
- Observe all warnings and cautions.