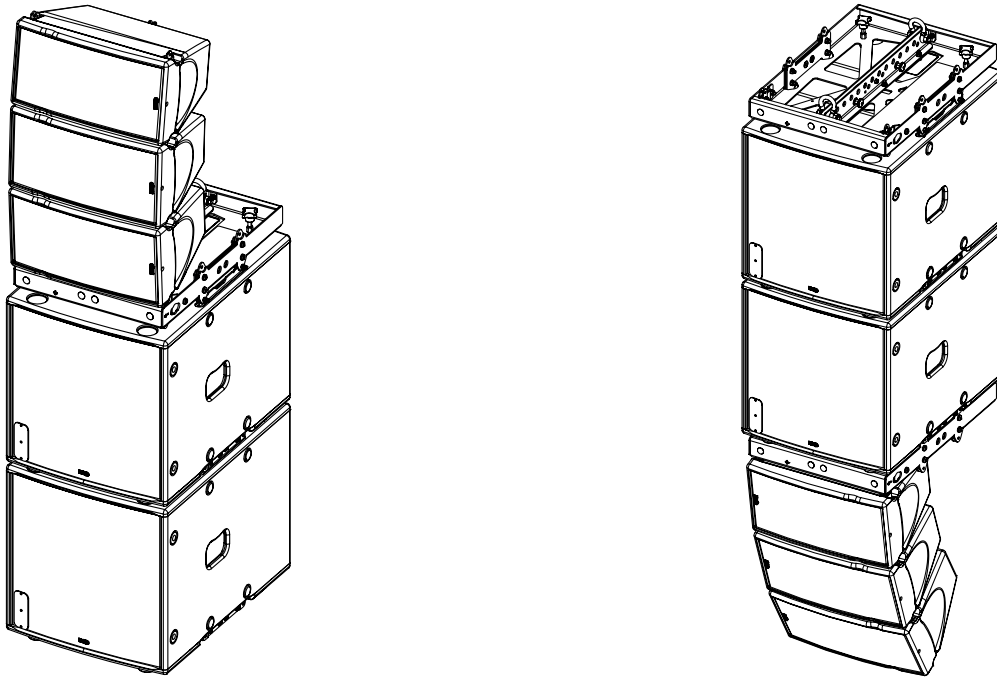
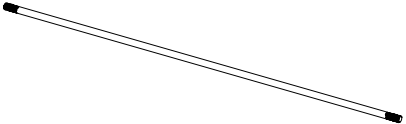
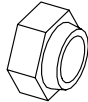
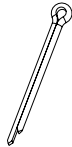


Fixing Kit for VNT-BUMPM6 on MSUB12

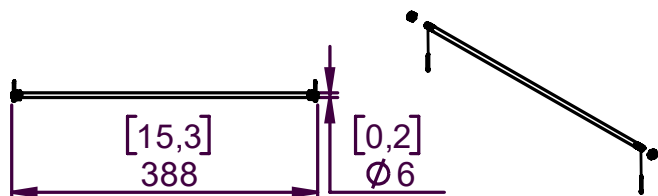


Contents:

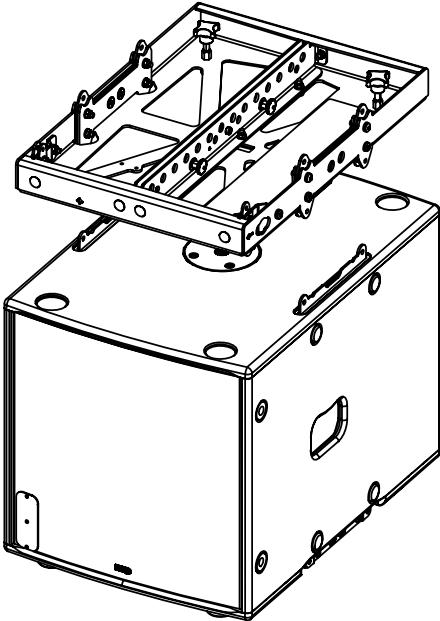
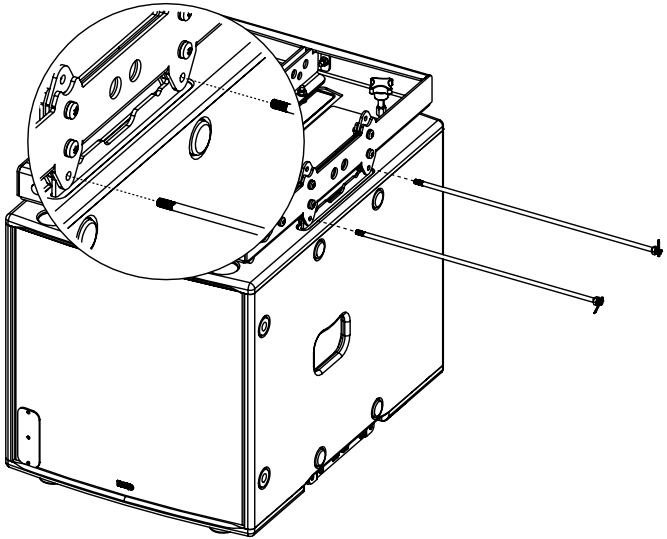
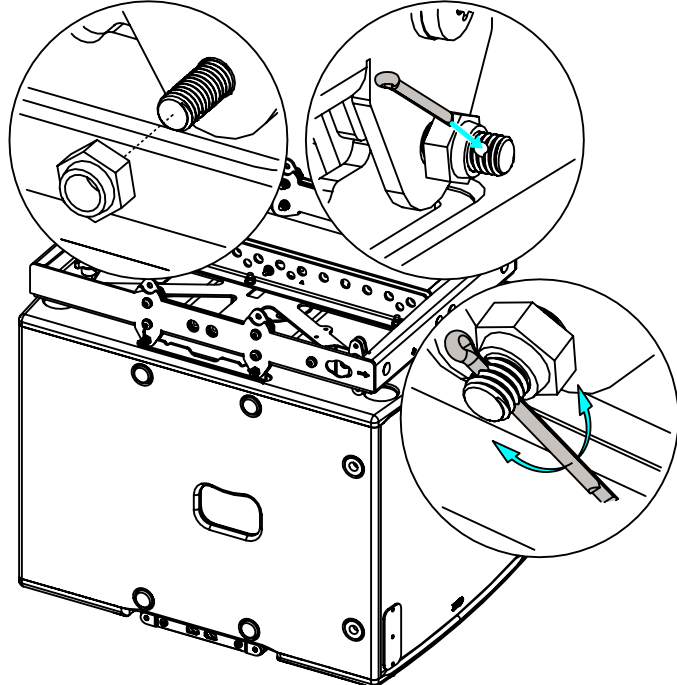
<p>X2</p> 	<p>X4 VNYLST6</p> 	<p>X4 VGOUF2x20</p> 
---	---	---

Weight: 0.1 kg / 0.22 lb

Dimensions:



Use:

<p>Position the bumper on the MSUB12.</p> 	<p>Insert the axis.</p> 
<p>Lock with the nuts, insert the safety pins and secure by bending the legs.</p> 	

- NEXO cannot accept responsibility for accidents caused by any factor other than defects in this product itself.
- Please check the web site nexo-sa.com for the latest update.



nexo-sa.com
 ZA du Pre de la Dame Jeanne
 60128 PLAILLY - France

- Read this document before using.
- Keep this document.
- Observe all warnings and cautions.

