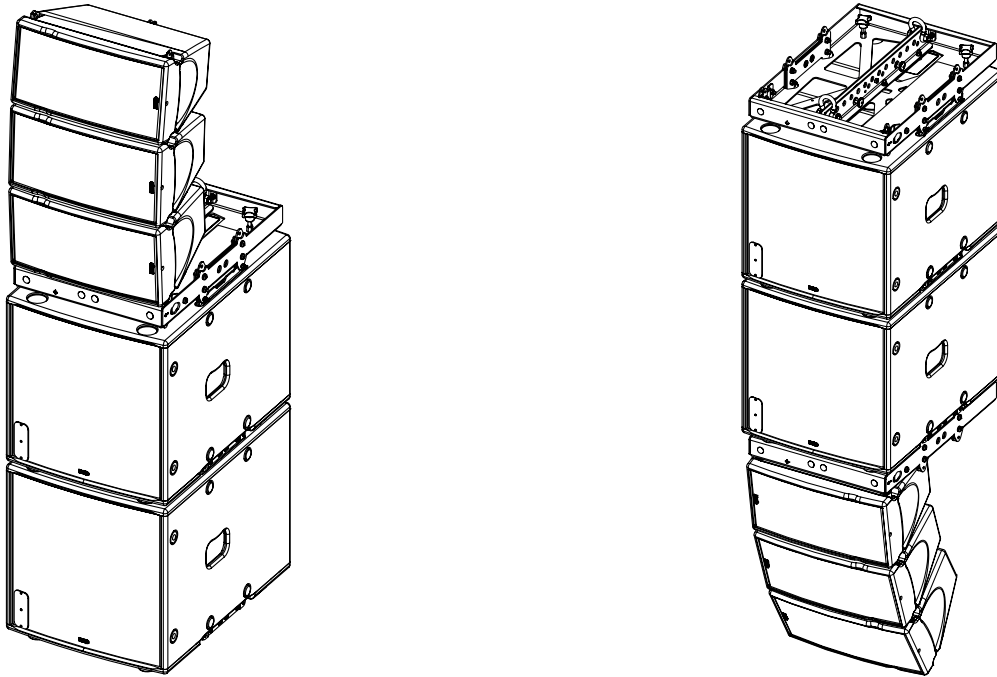
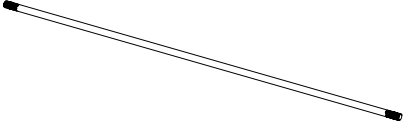
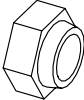
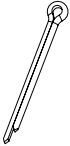


Fixing Kit for VNT-BUMPM6-MSUB12



Contents:

 <p>X2</p>	 <p>X2</p>	 <p>X2</p>
---	---	---

Weight: 0.1 kg / 0.22 lb

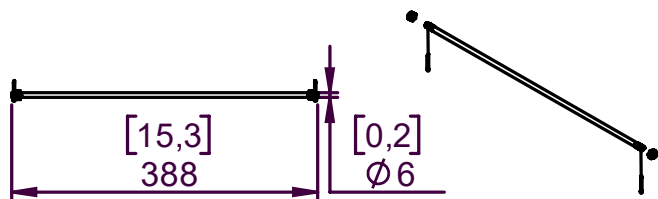


nexo-sa.com
ZA du Pre de la Dame Jeanne
60128 PLAILLY - France

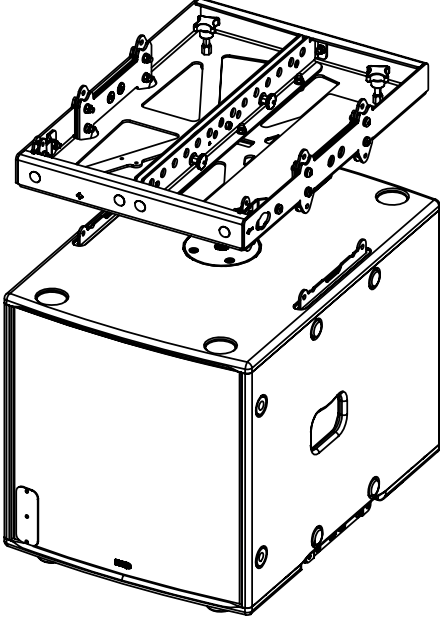
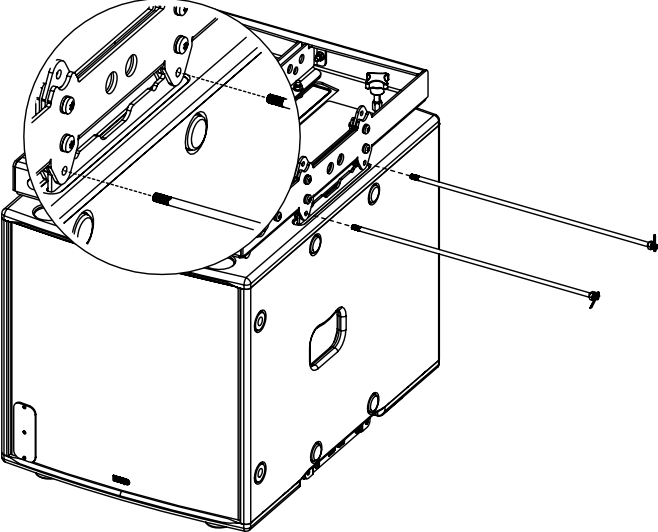
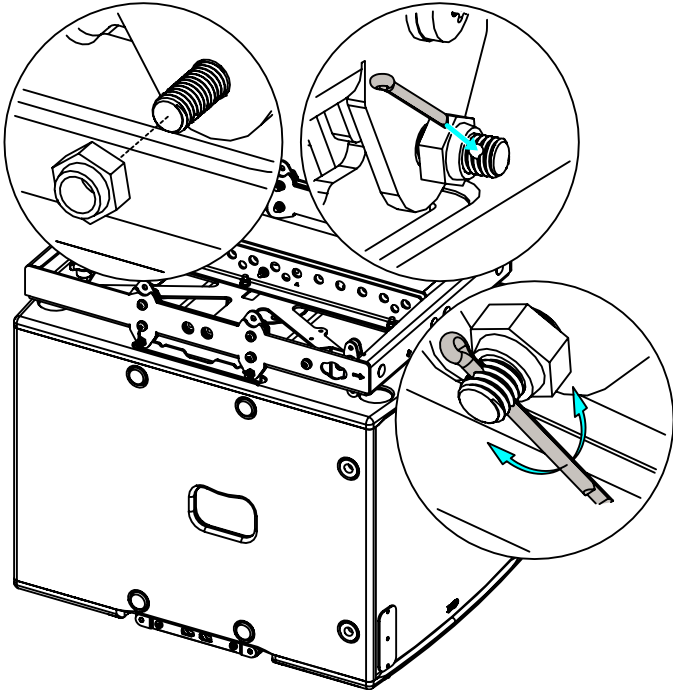
- Read this document before using.
- Keep this document.
- Observe all warnings and cautions.



Dimensions:



Use:

Position the bumper on the MSUB12.	Insert the axis.
	
Lock with the nuts, insert the safety pins and secure by bending the legs.	
	

- NEXO cannot accept responsibility for accidents caused by any factor other than defects in this product itself.
- Please check the web site nexo-sa.com for the latest update.

NEXO

nexo-sa.com
ZA du Pre de la Dame Jeanne
60128 PLAILLY - France

- Read this document before using.
- Keep this document.
- Observe all warnings and cautions.

