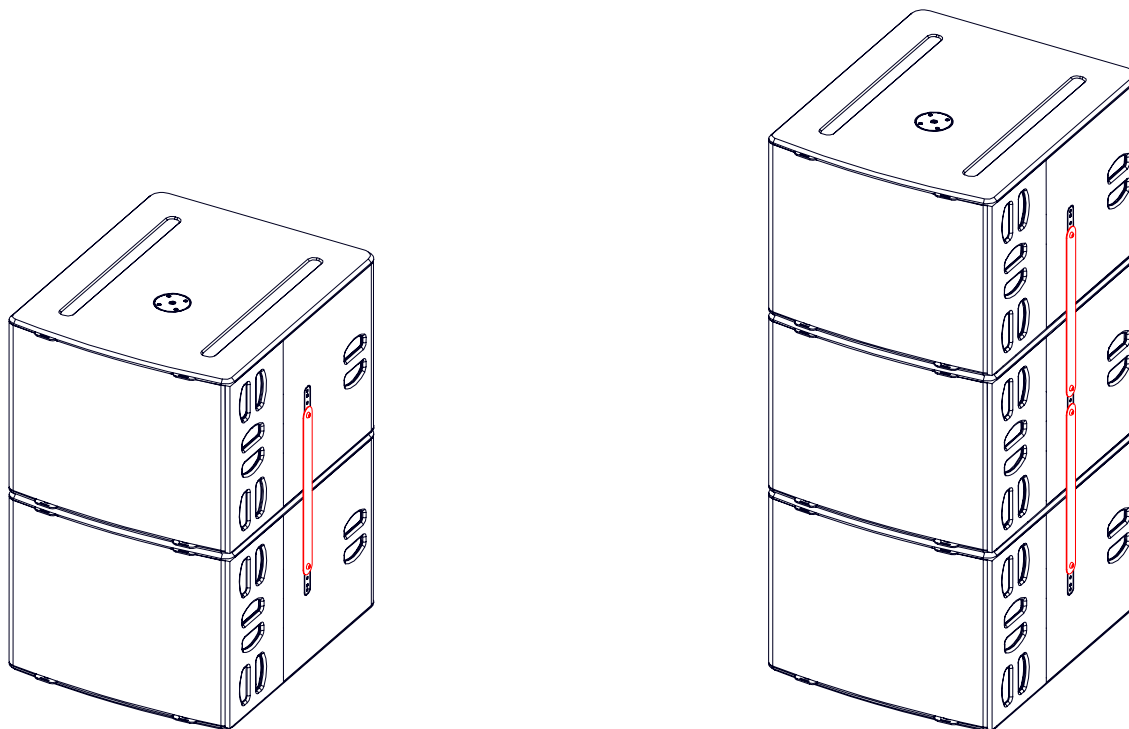
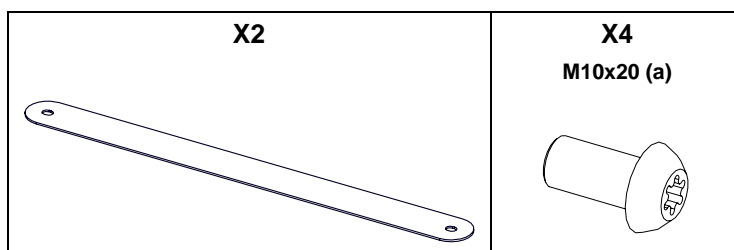


Coupling bar for 2 or 3 L20



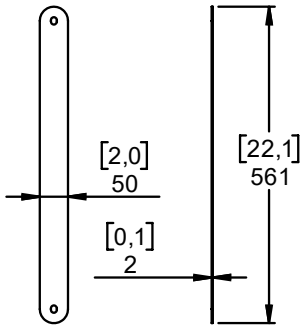
Contents:



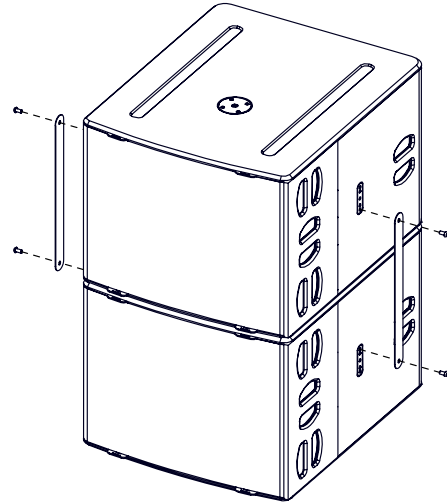
(a): The type of the screws may differ from the representation.

Weight: 0.95 kg / 2.1 lb

Dimensions:



Assembly:



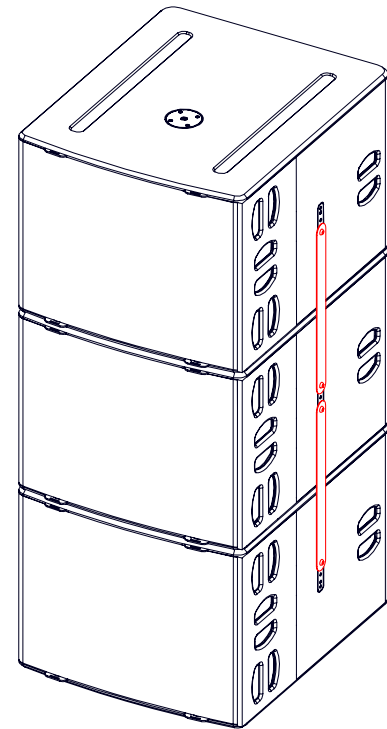
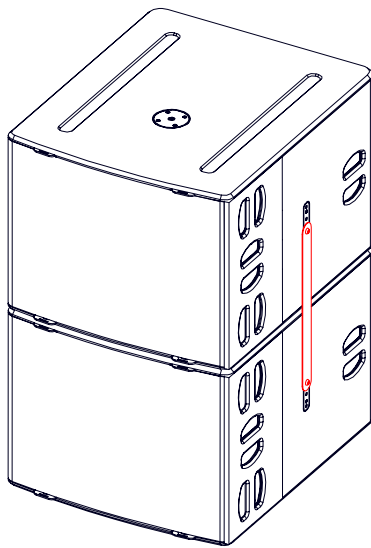
Use:

2x L20

Cabinet authorized with a pole stand

3x L20

WARNING: Cabinet prohibited with a pole stand



Speaker stand must always be installed on a horizontal surface.
Stand height and footprint must be defined to prevent assembly from collapsing.
Ensure that audience is not allowed within a safety area which radius is equal or higher than assembly height.
Test steadiness of the assembly by pushing in all directions.

- NEXO cannot accept responsibility for accidents caused by any factor other than defects in this product itself.
- Please check the web site nexo-sa.com for the latest update.