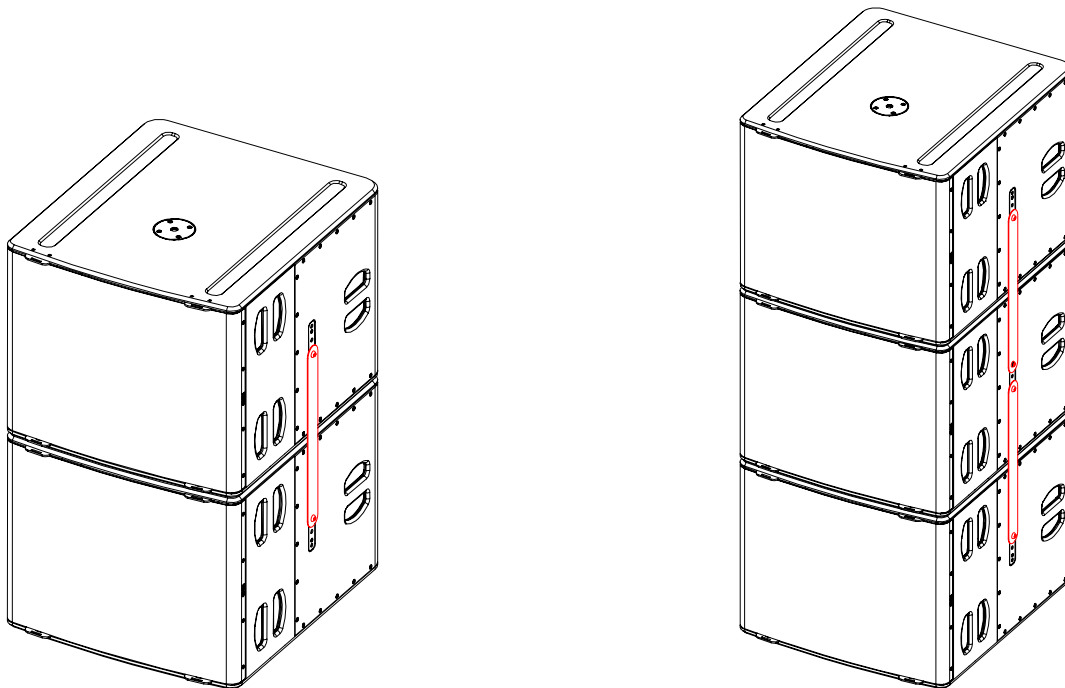
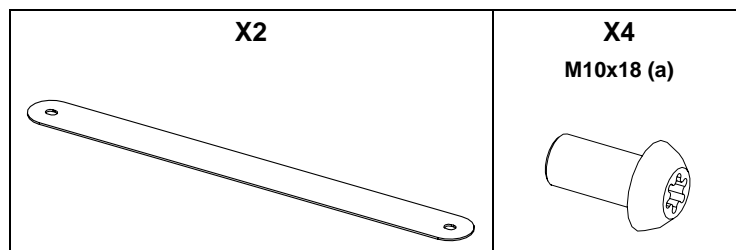


## Coupling bar for 2 or 3 L18



### Contents:



(a): The type of the screws may differ from the representation

Weight: 0.85 kg / 1.9 lb

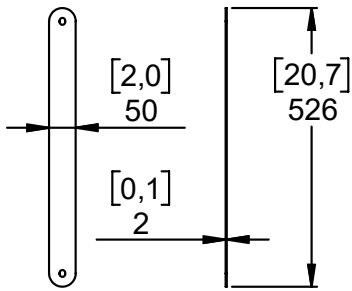


nexo-sa.com  
ZA du Pre de la Dame Jeanne  
60128 PLAILLY - France

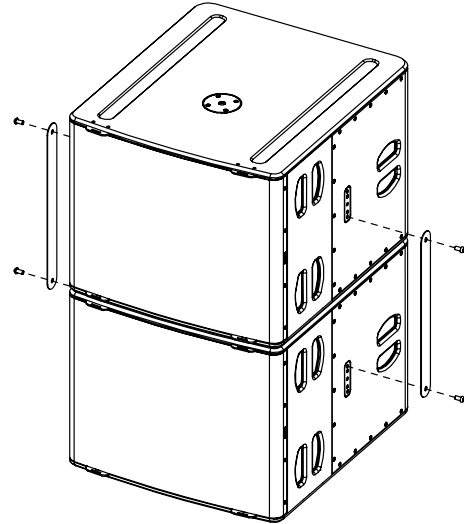
- Read this document before using.
- Keep this document.
- Observe all warnings and cautions.



**Dimensions:**



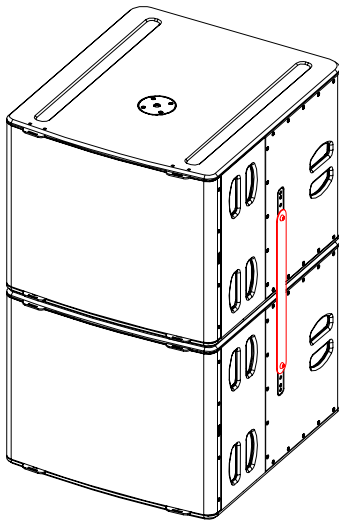
**Assembly:**



**Use:**

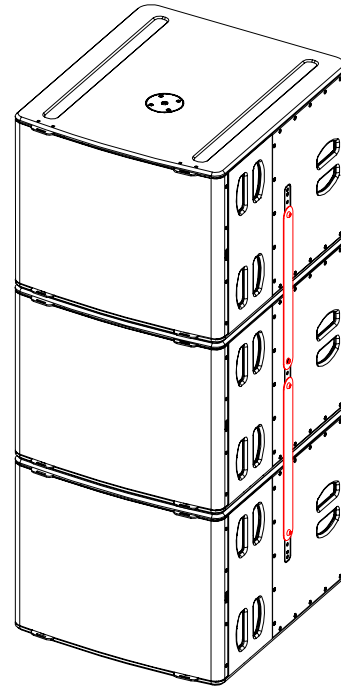
**2x L18**

**Cabinet authorized with a pole stand**



**3x L18**

**WARNING: Cabinet prohibited with a pole stand**



Speaker stand must always be installed on a horizontal surface.  
Stand height and footprint must be defined to prevent assembly from collapsing.  
Ensure that audience is not allowed within a safety area which radius is equal or higher than assembly height.  
Test steadiness of the assembly by pushing in all directions.

- NEXO cannot accept responsibility for accidents caused by any factor other than defects in this product itself.
- Please check the web site [nexo-sa.com](http://nexo-sa.com) for the latest update.