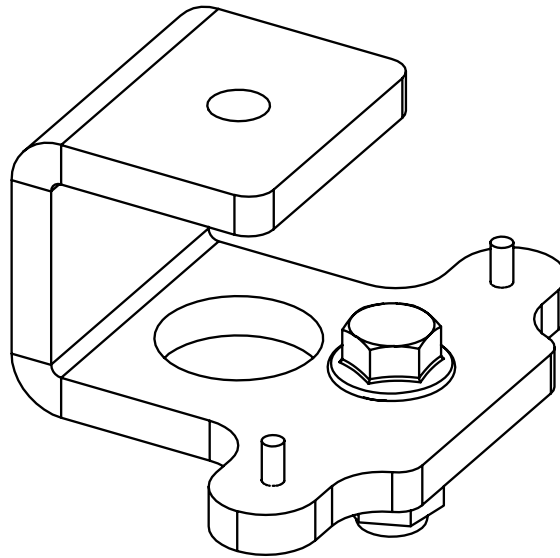
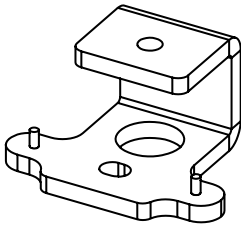
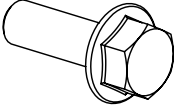
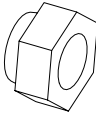


Ceiling adapter

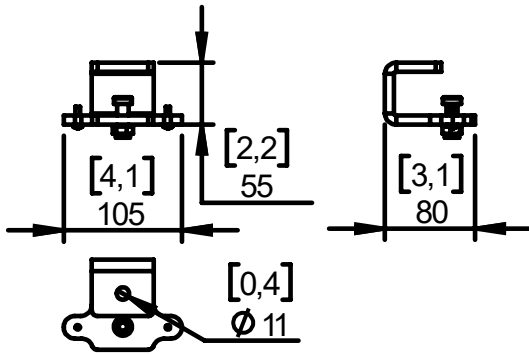


Contents:

<p>X1</p> 	<p>X1 <i>M10x35</i></p> 	<p>X1 <i>M10</i></p> 
--	--	---

Weight: 0.6 kg / 1.4 lb

Dimensions:



Safety Notes:

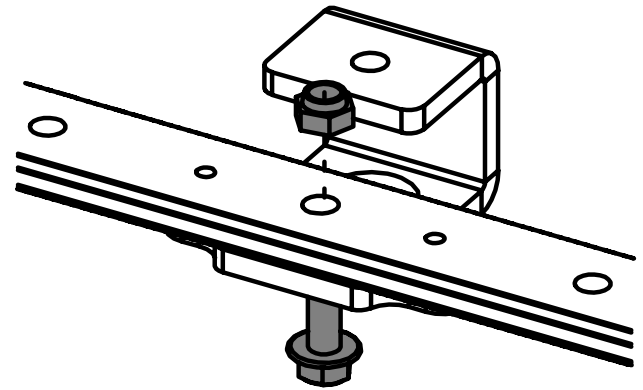
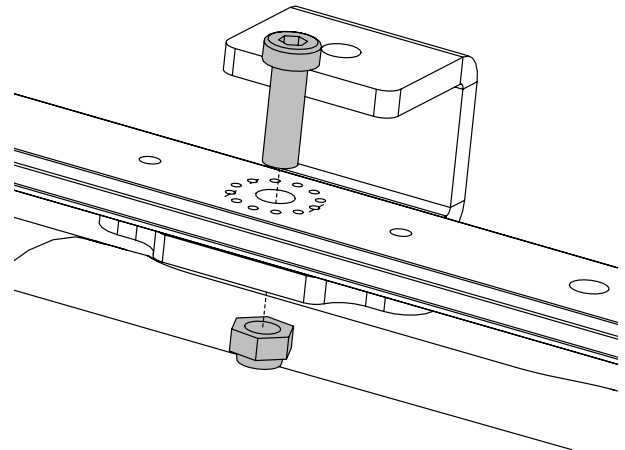
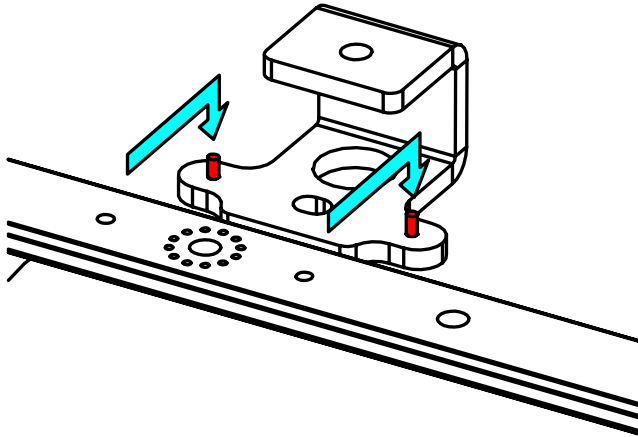
Please select screws and mounting location supporting 4 times the system weight.

Inspect bolted assemblies periodically.

Use with HBRK - VBRK

Screw CLADAPT to the ceiling (fasteners not provided).

Place the assembly on CLADAPT, use the 2 guides. Tight with the fasteners provided with CLADAPT



When L15 is up with HBRK15, position the fixing screw from below.

When L18 is up with HBRK18, position the fixing screw from below.

- NEXO cannot accept responsibility for accidents caused by any factor other than defects in this product itself.
- Please check the web site nexo-sa.com for the latest update.

NEXO

nexo-sa.com

ZA du Pre de la Dame Jeanne
60128 PLAAILLY - France

- Read this document before using.
- Keep this document.
- Observe all warnings and cautions.

