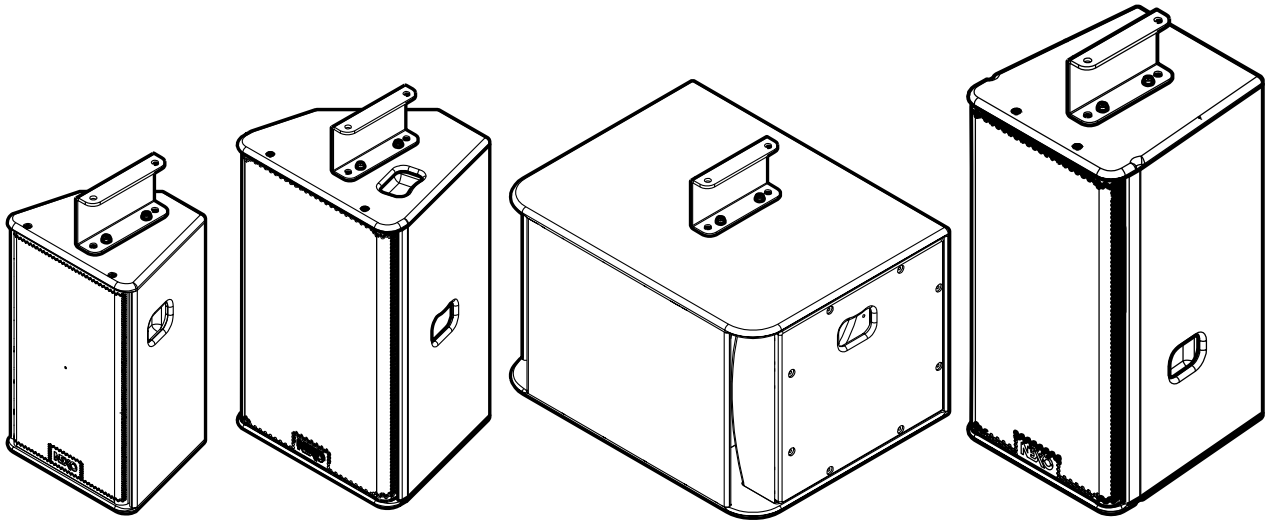


### Horizontal Mounting Plate



#### Contents :

X1		X1		X2 (D8x12) VXTCHCD812	X2 (D8x20) VXTCHCD820
X2 (M8) VRX8RS	X2 (M6x25) VXTCBX625N	X2 (M6) VRA6N	X2 (M12x35) VXTH1235	X4 (M12) VRA12XN	X2 (M12) VNYLST12

Weight: 1 kg / 2.2 lb

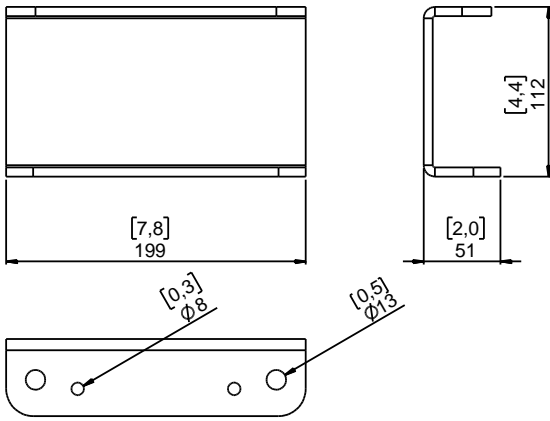


nexo-sa.com  
ZA du Pre de la Dame Jeanne  
60128 PLAILLY - France

- Read this document before using.
- Keep this document.
- Observe all warnings and cautions.



## Dimensions :



## Use :

<b>GEO S12 – LS600</b> (Use M6-D8x20)	<b>PS10R2 – PS15R2</b> (Use M6-D8x12)	<b>GPI-BUMPER</b> (Use M12x35)

## Warning:

- **Use only provided screws (thread lock coated or use Loctite 243).**
- **Be sure that the mounting location and fastener can bear at least 4 times the weight of the of all installed cabinets, auxiliary equipment and cables.**

- **NEXO cannot accept responsibility for accidents caused by any factor other than defects in this product itself.**
- **Please check the web site [nexo-sa.com](http://nexo-sa.com) for the latest update.**