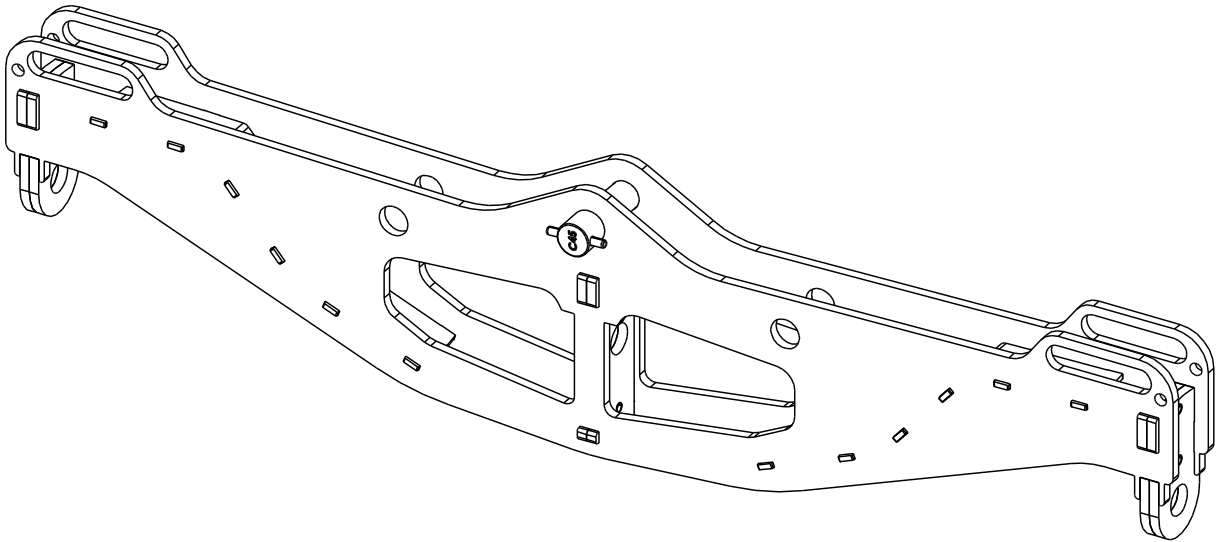
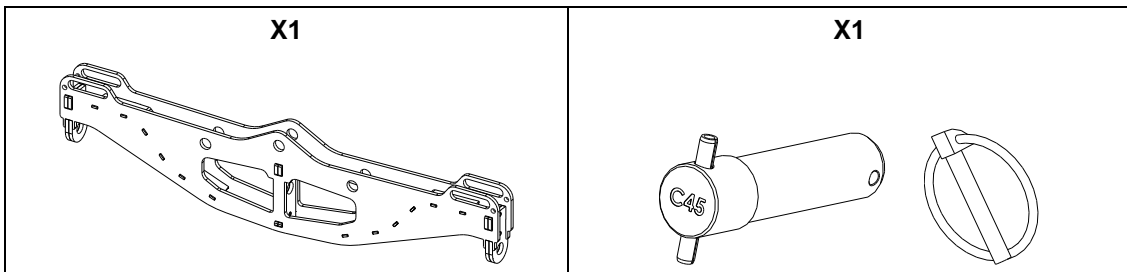


3 Columns Bottom Coupling Bar



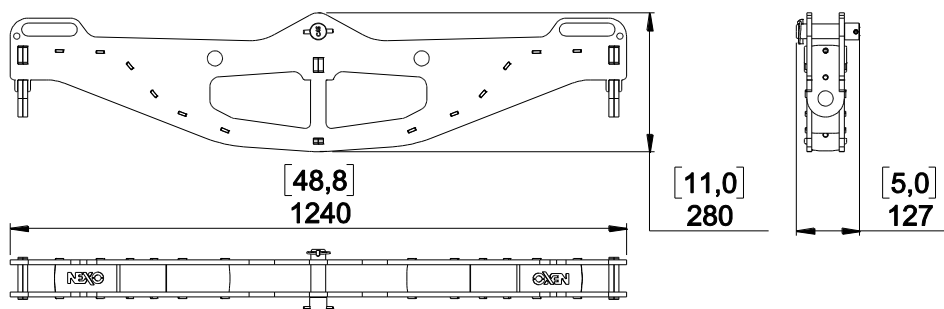
Contents:



Weight: 34 kg / 75 lb

- Read this document before using.
- Keep this document.
- Observe all warnings and cautions.

Dimensions:



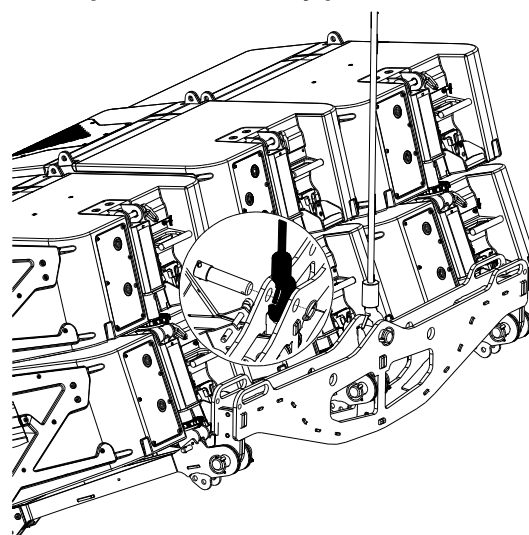
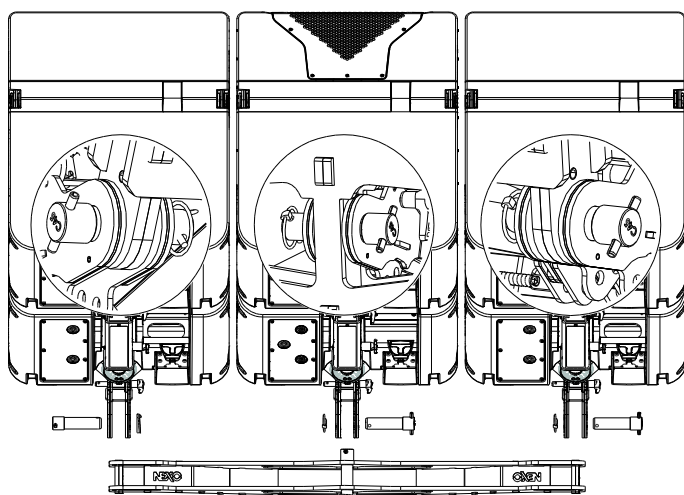
Used with BTBUMPER

Insert bottom bumper coupler BCOUP3 into the 3 fixing points located at the back of the BTBUMPERS.

Insert the steel pins into the corresponding holes.

Insert safety pins into steel pin hole and lock safety by rotating its ring around steel pin.

Attach the lower hook of the chain to the rear of BCOUP3, with the steel pin and the safety pin.



ENSURE BCOUP3 IS PROPERLY LOCKED TO BTBUMPERS, AND CAN BE ARTICULATED AROUND ITS AXIS

- NEXO cannot accept responsibility for accidents caused by any factor other than defects in this product itself.
- Please check the web site nexo-sa.com for the latest update.

NEXO

nexo-sa.com
ZA du Pre de la Dame Jeanne
60128 PLAILLY - France

- Read this document before using.
- Keep this document.
- Observe all warnings and cautions.

