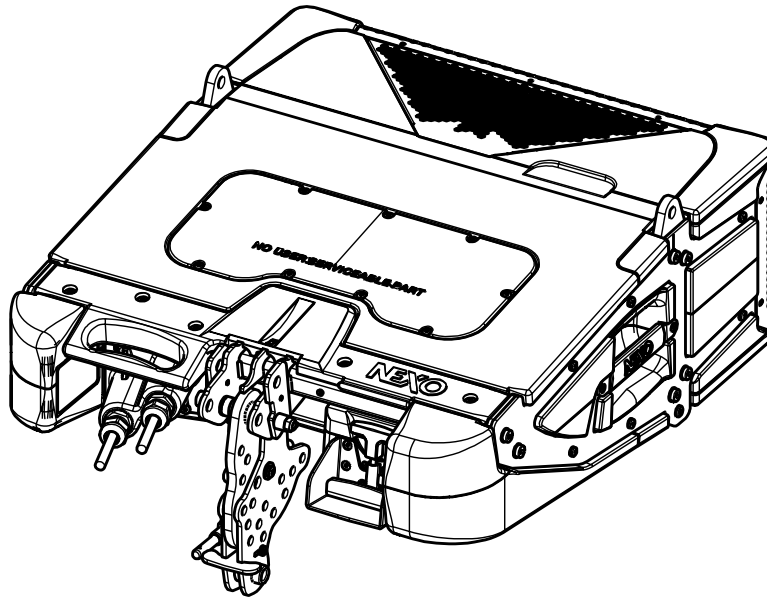
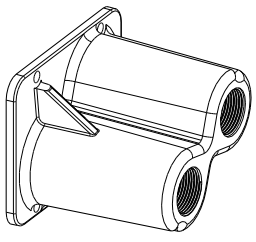
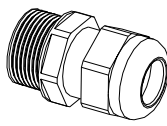



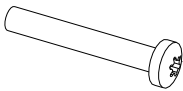
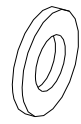


Waterproof housing for STM-M28



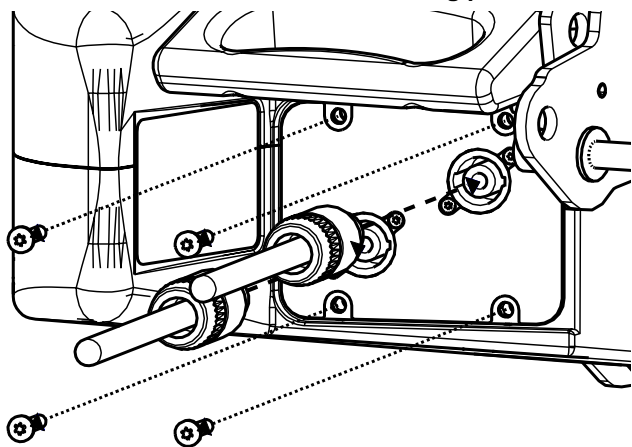
Contents:

X1 	X2 	X2 (Ø25) 	X1 M25 	X2 (Ø42) 	X4 M5x25 	X4 M5 
---	--	--	--	---	--	---

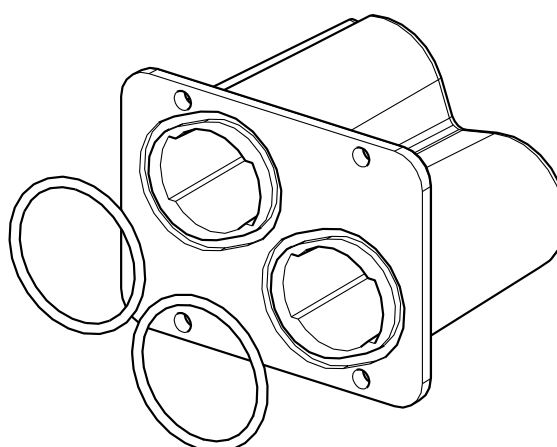
Weight: 0.3 kg / 0.7 lb

Assembly:

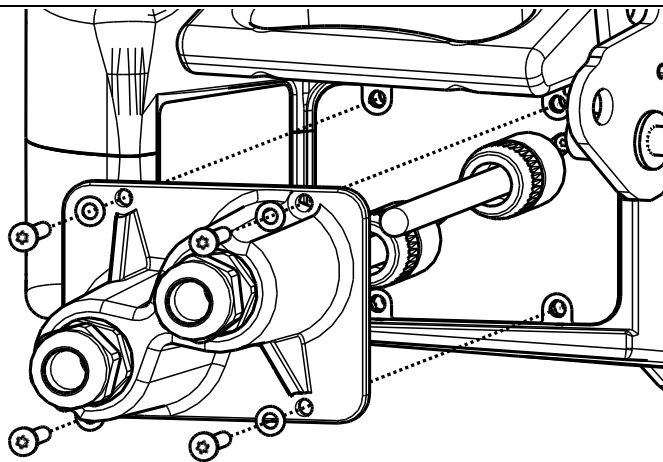
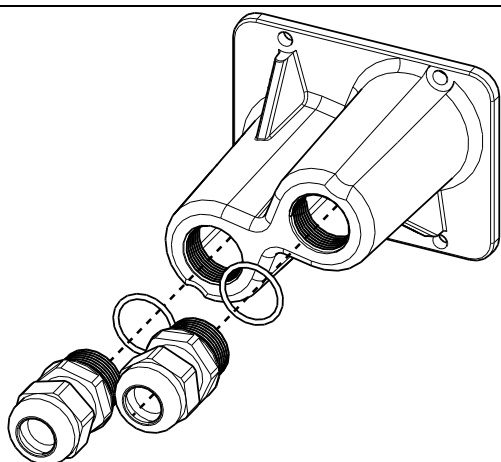
Remove the 7 screws from the connecting plate. Connect.



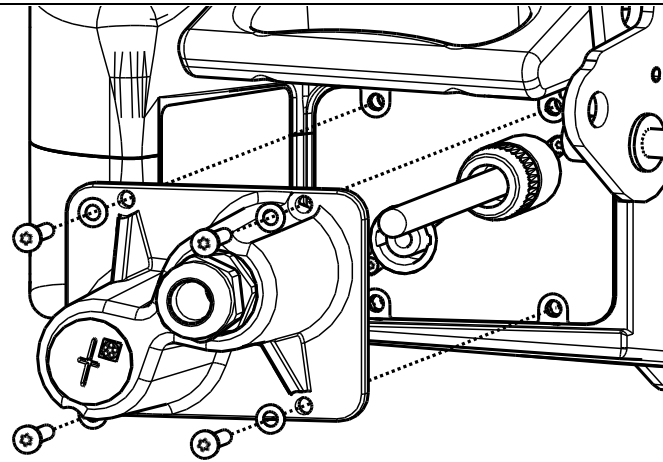
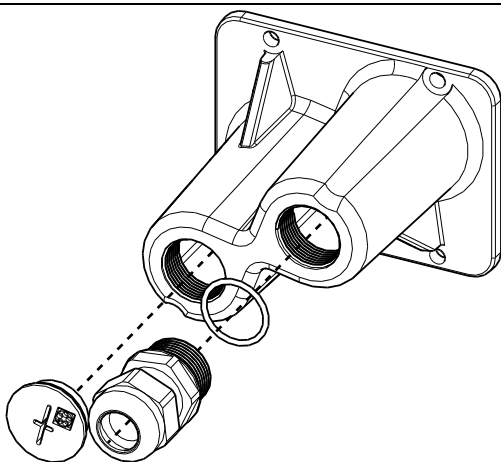
Place the O-ring (Ø42)



Wiring to another cabinet : Place the 2 cable-glands with the O-ring (Ø25). Insert the IPCOV, by fixing it with the provided screws. Tight the cable-glands to ensure the complete sealing.



Single Wiring : Place the cable-gland with the O-ring (Ø25) and the cap (M25). Insert the IPCOV, by fixing with the provided screws; Tight the cable-gland to ensure the complete sealing.



Fully compatible with Neutrik NL4FC – NL4FX – NLT4FX

- NEXO cannot accept responsibility for accidents caused by any factor other than defects in this product itself.
- Please check the web site <https://nexo-sa.com> for the latest update.

NEXO

<https://nexo-sa.com>
ZA du Pre de la Dame Jeanne
60128 PLAILLY - France

- Read this document before using.
- Keep this document.
- Observe all warnings and cautions.