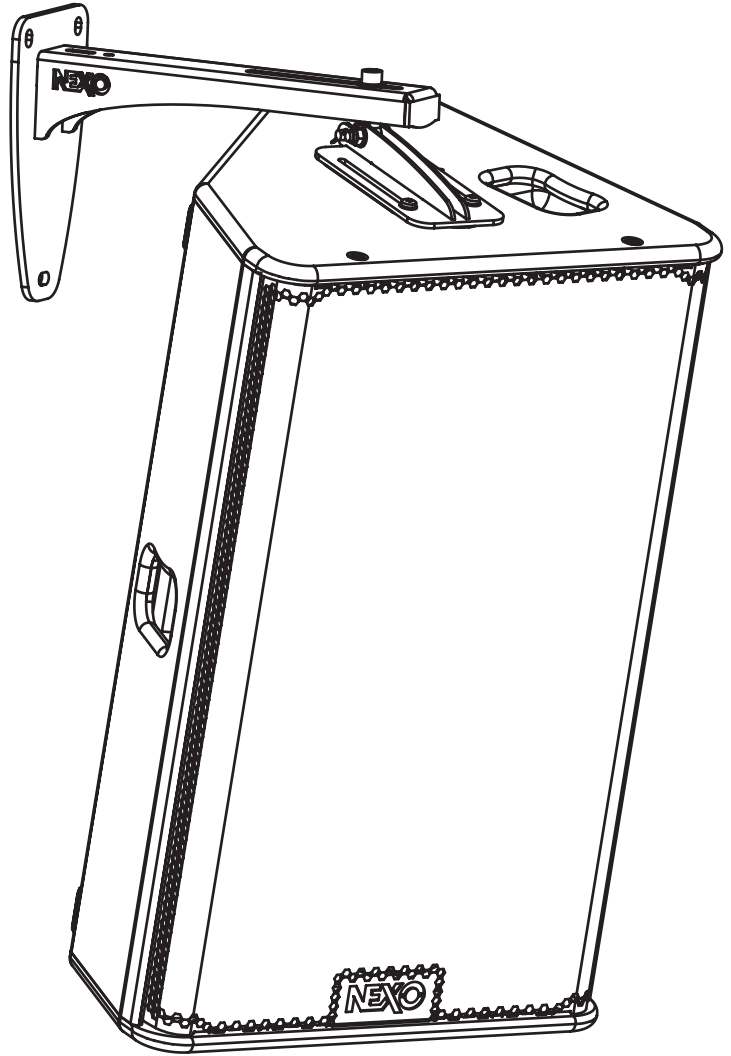


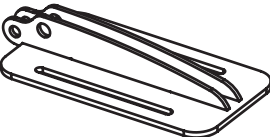


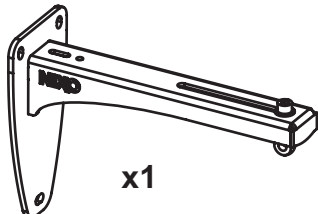







NEXO

VNI-WS15

PS15 WALL BRACKET



CONTENTS

 <p>x1</p>	 <p>x1</p>	 <p>x1</p>	
 <p>x1</p>	 <p>x2</p>	 <p>x2</p>	 <p>x1</p>
 <p>x1</p>	 <p>x1</p>	 <p>x1</p>	 <p>x1</p>

VNI-WS15

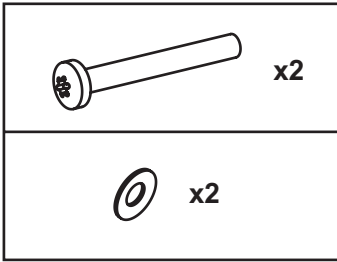
PS15 WALL BRACKET

Adapter Mounting

1 - Take away 2 screws of origin and use the 2 screws and the 2 washers provided to fix the adapter.
Attention, please do not push on the two screws while screwing them, so as to avoid disengaging the bolt that is inside the cabinet.

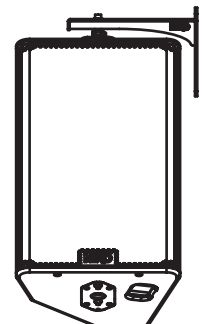
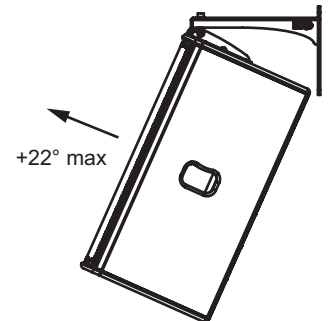
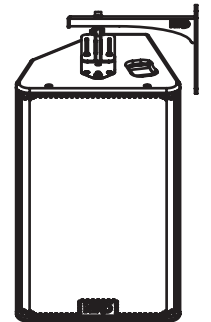
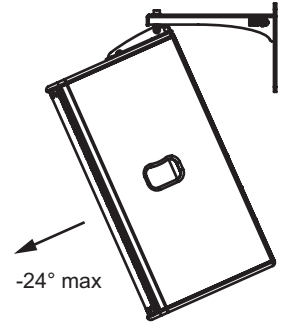
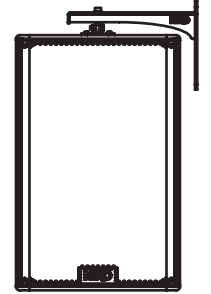
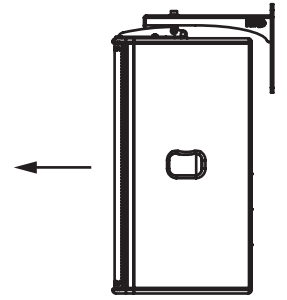
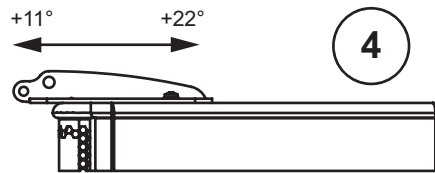
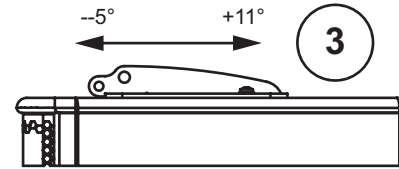
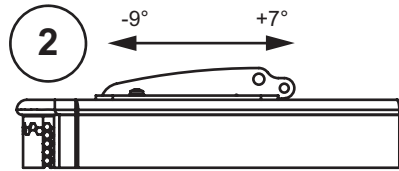
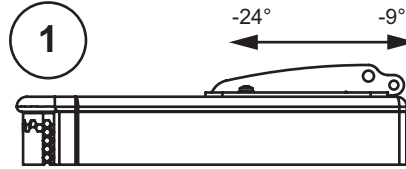
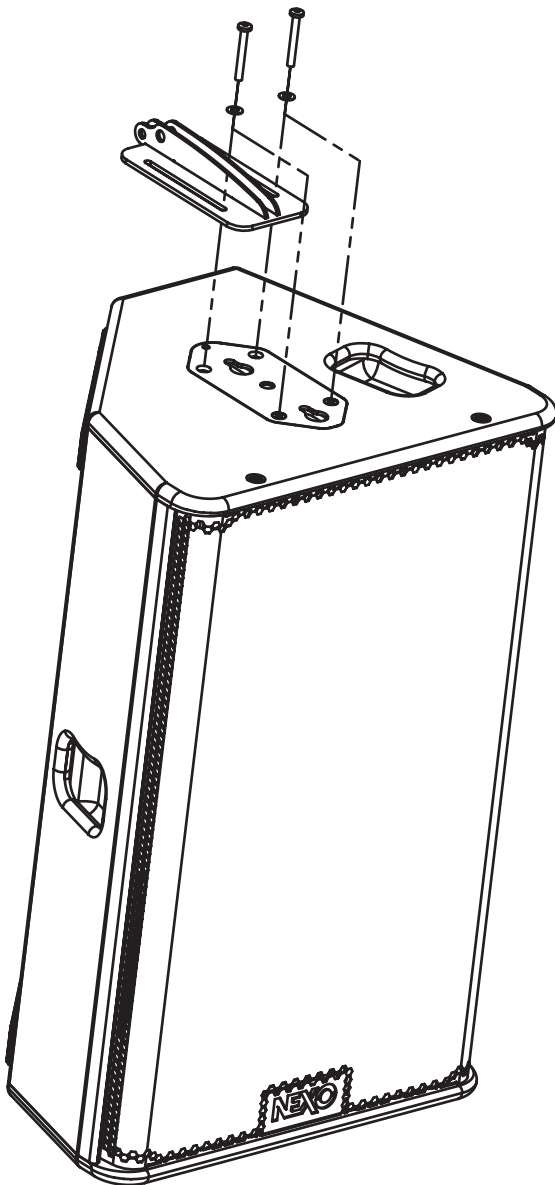
2 - Choose 1 of the 4 mounting positions- in function of the desired tilt.

FASTENERS



WARNING :


Screws must be secured using Loctite 243™



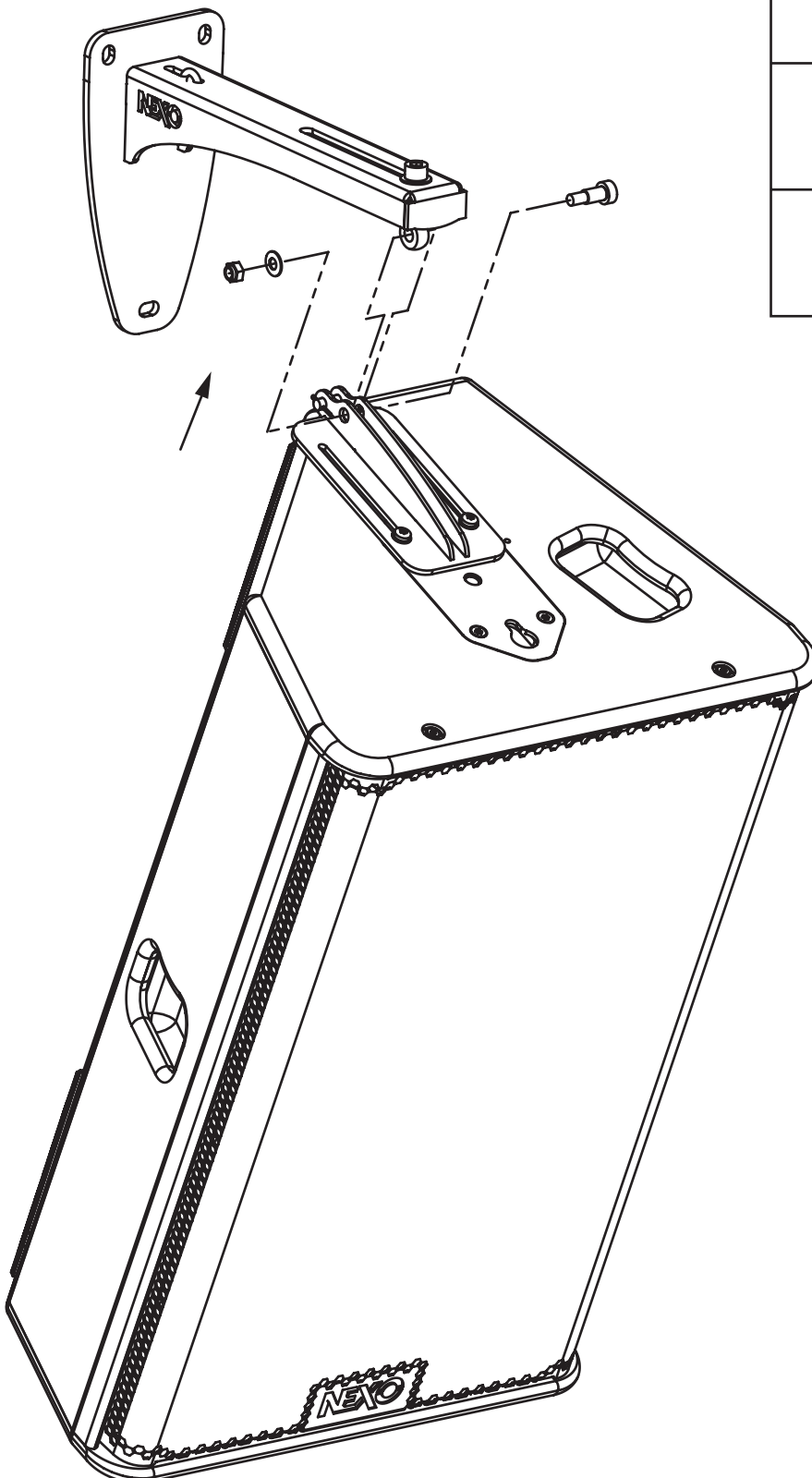
VNI-WS15

PS15 WALL BRACKET

Adapter / Arm Mounting

 Tighten well to cancel any float between the arm and adapter.

FASTENERS



VNI-WS15

PS15 WALL BRACKET

Safety Device Mounting

FASTENERS

