

# NEXO

I N N O V A T E



SPARE PARTS

**NEXO-SA**  
AFTER SALE DEPARTMENT  
PARC DU PRE DE LA DAME JEANNE  
60128 PLAILLY

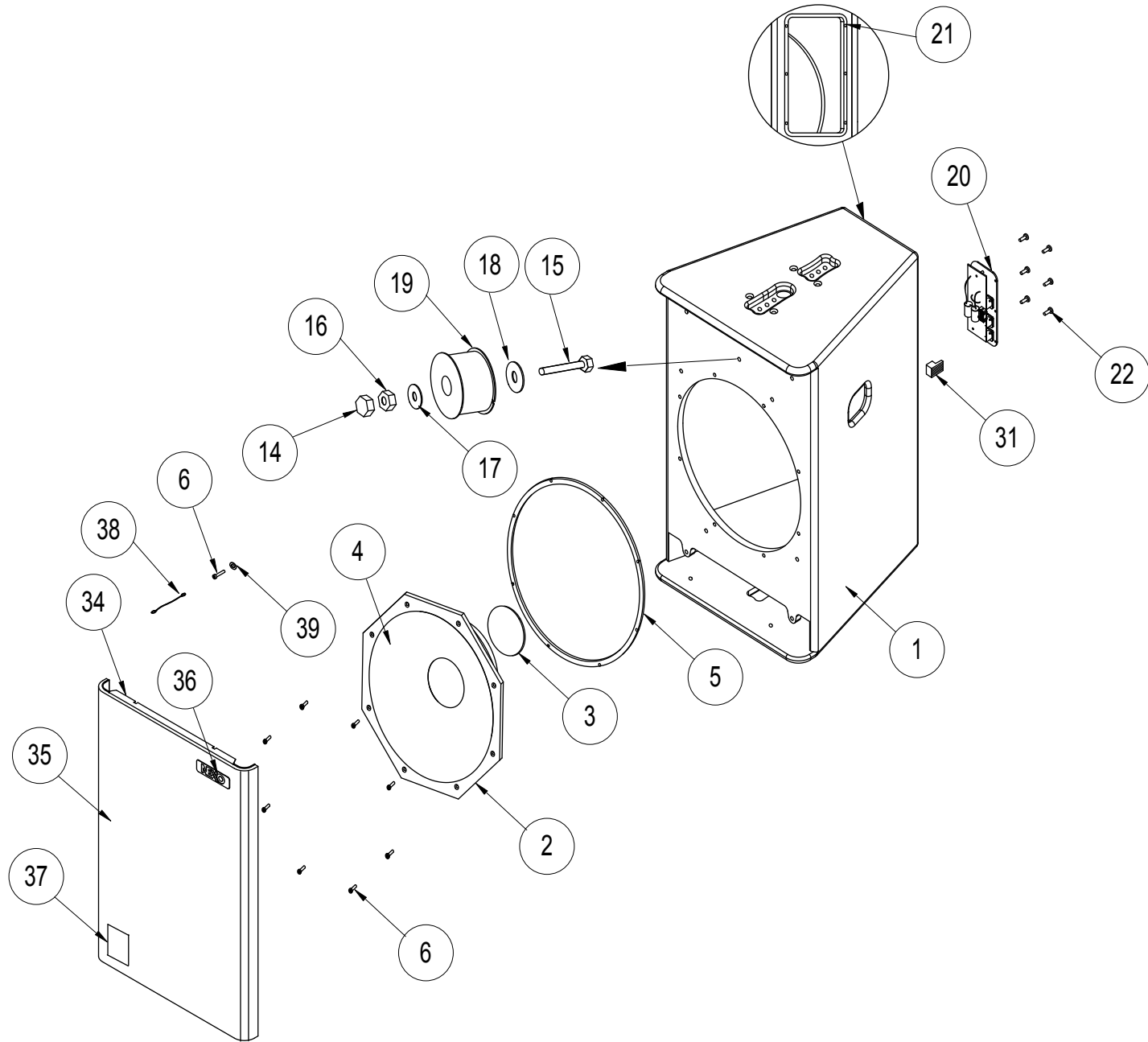
**FRANCE**

Email : [gilbert.laporte@nexo.fr](mailto:gilbert.laporte@nexo.fr)

# NEXO

INNOVATE

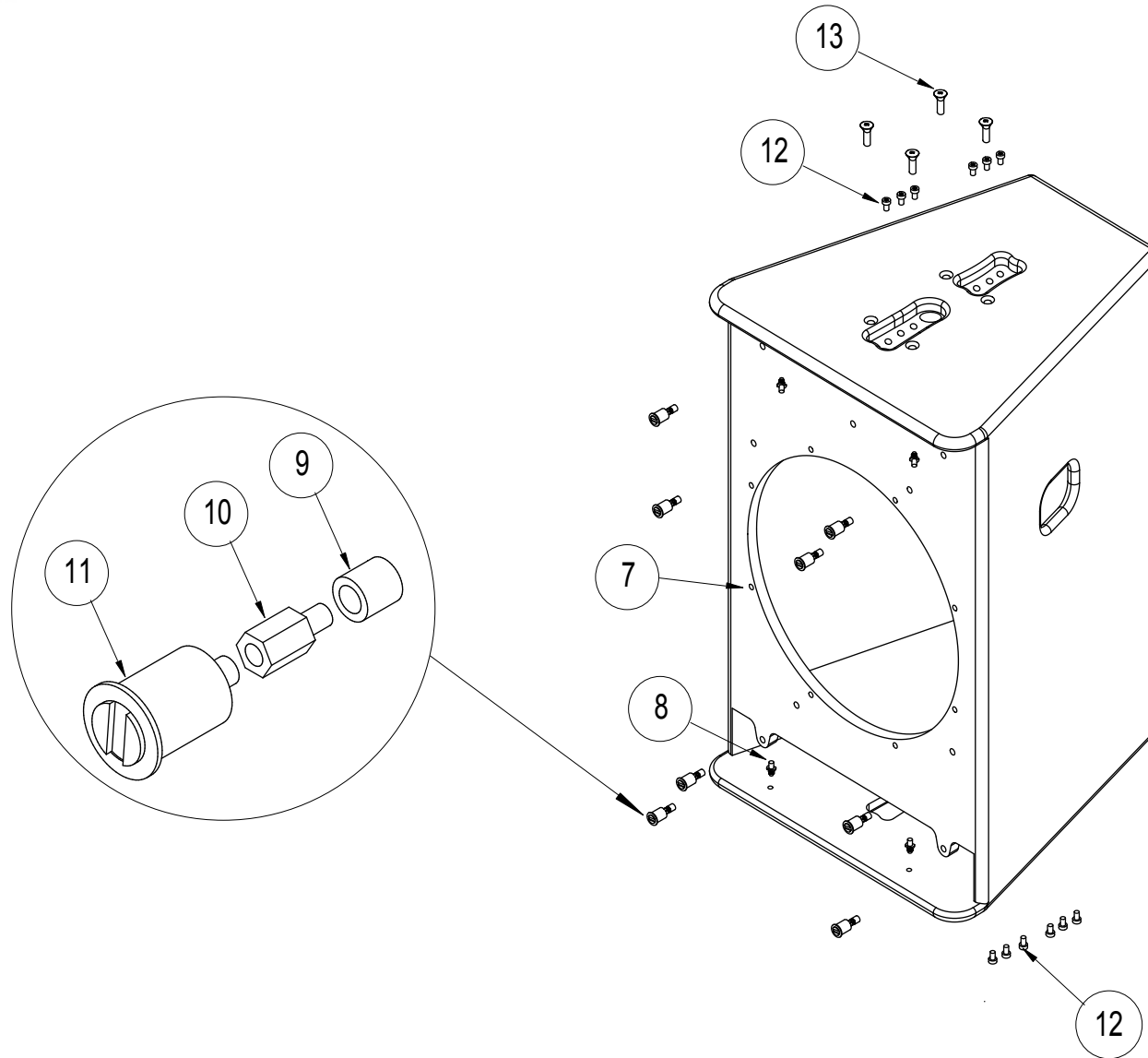
## PS15BASS EXPLODED VIEW 1



# NEXO

INNOVATE

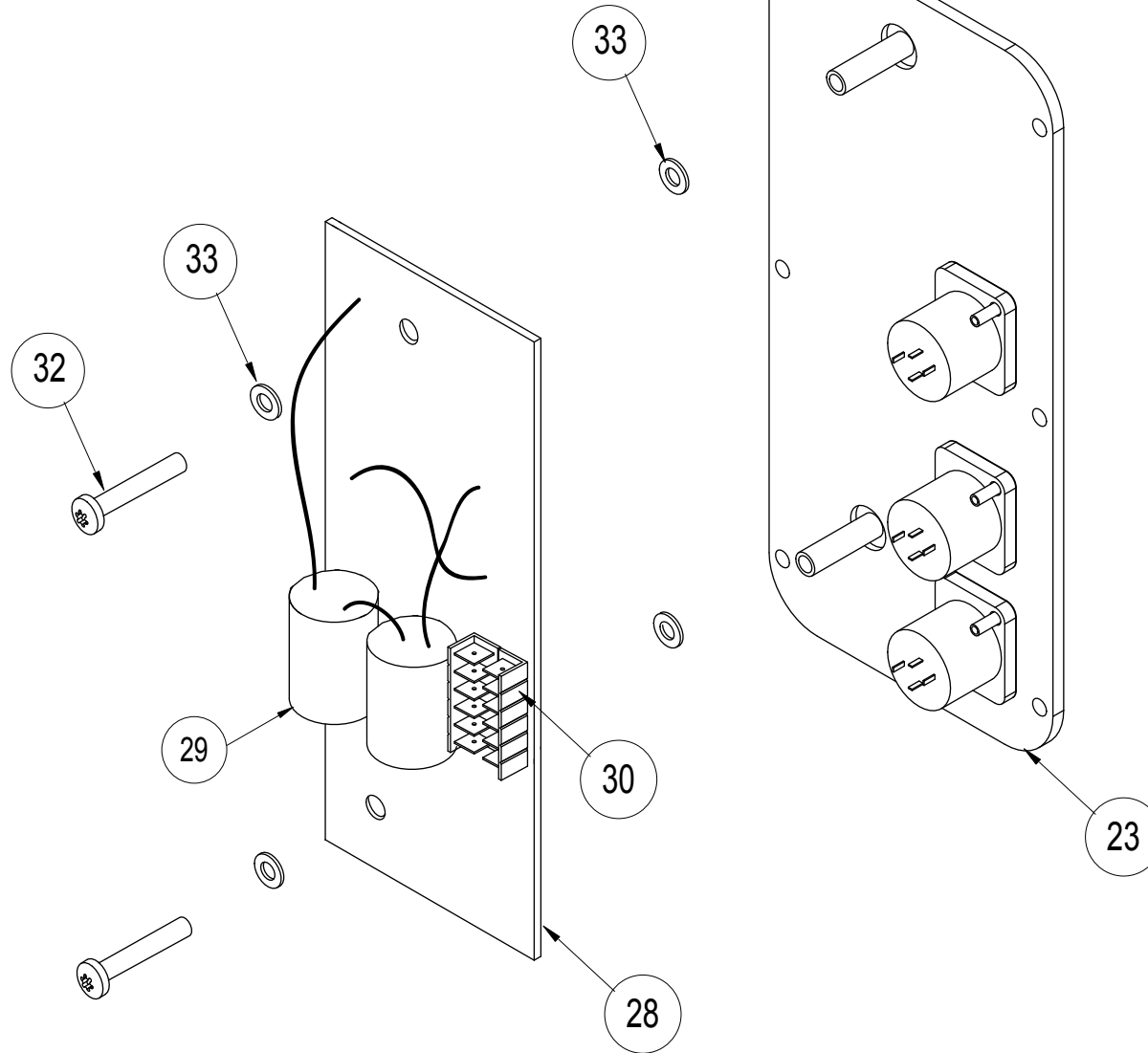
## PS15BASS EXPLODED VIEW 2



# NEXO

INNOVATE

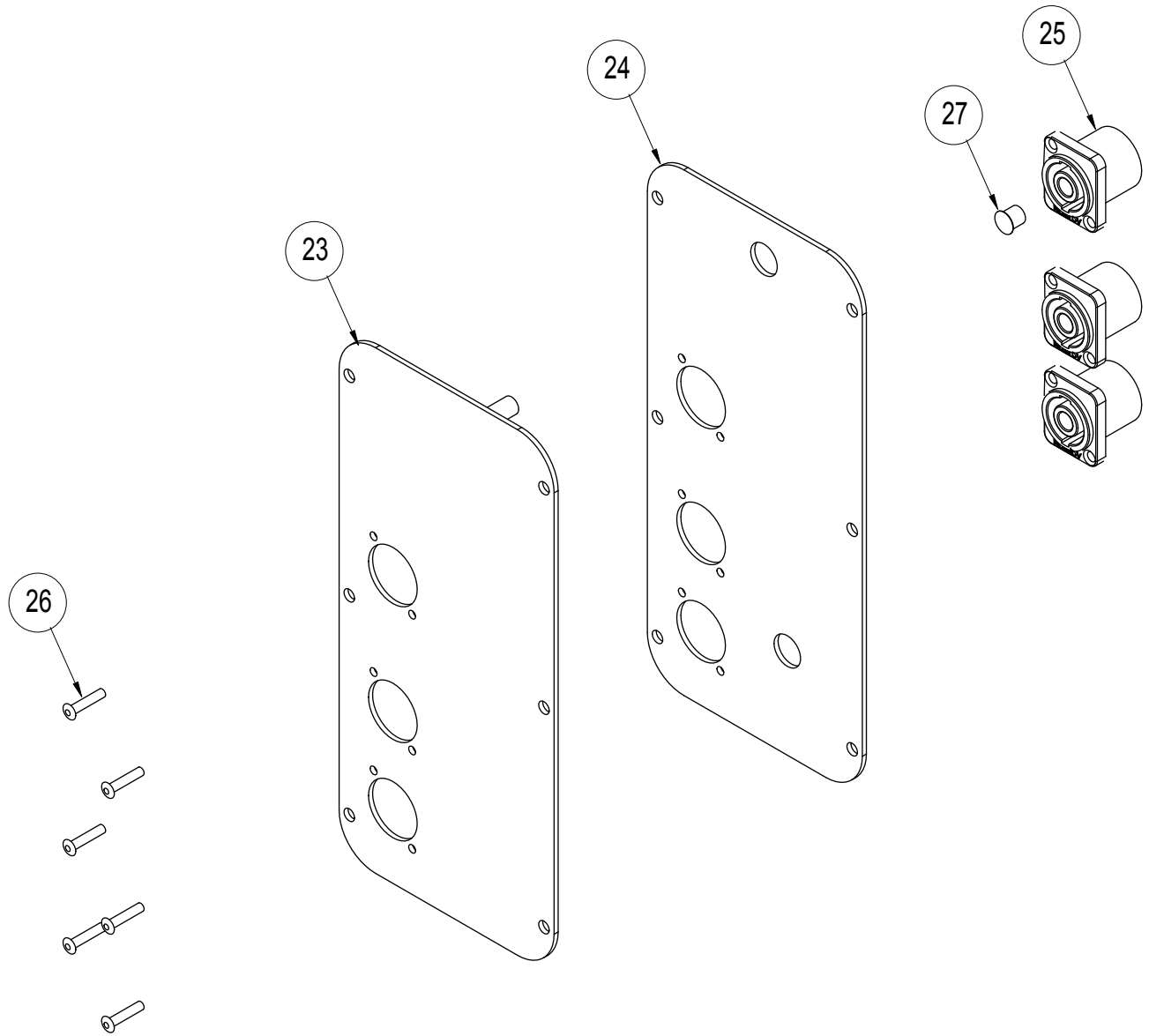
## COMPLETE PASSIVE FILTER VIEW



# NEXO

INNOVATE

## CONNECTION PLATE COMPLETE VIEW



MARK	QUANTITY	ASSEMBLY	SUB ASSEMBLY	PART REFERENCE	DESIGNATION
<b>PS.15BAS</b>					
1	1	<b>05EBPS15B</b>		<b>05EBPS15B</b>	PS15 BASS EMPTY BOX
2	1			<b>05N1560P-8</b>	HP BASS 15" FOR PS15 COMPLETE
3	1			<b>05HPPLAQAR38</b>	HP 15" REAR PLATE
4	1			<b>05N1560R/K</b>	RECONE KIT FOR 15"
5	1			<b>05JNEOHPBPS15</b>	PS15 BASS SPEAKER GASKET
6	9			<b>05VXTCX525N</b>	BLACK TORX CYLINDRIC SCREW 5X25
7	9			<b>05VGRAF5</b>	GRAF NUT 5 mm
8	4			<b>05CPBHTS2</b>	WOOD-INSERT BHTS-2-01
9	8			<b>05AP74511</b>	WOOD DOWEL M5 74-5-11 (x10)
10	8			<b>05ENTRPS15</b>	PS15 SPACER
11	8			<b>05AIMANT1</b>	PS MAGNETIC GRILL FASTENER
12	12			<b>05VXTCX610N</b>	BLACK TORX CYLINDRIC SCREW 6x10
13	4			<b>05VXTCFX825N</b>	BLACK TORX FLAT HEAD SCREW 8X25
14	1			<b>05CACHEVIS</b>	CAP FOR SCREW
15	1			<b>05VLTH690</b>	BRASS SCREW 6X90
16	1			<b>05VNYLST6</b>	NUTS WITH POLYAMID INSERT M6 (x10)
17	1			<b>05VRA618N</b>	BLACK WASHER 6 X 18
18	1			<b>05VRA630Z</b>	WASHER 6 X 30
19	1			<b>05FS800H7.5</b>	COIL 7.5 Mh 1400 GR
20	1	<b>05PS.15BFPC</b>		<b>05PS.15BFPC</b>	COMPLETE PASSIVE FILTER PS15 BASS
21	6			<b>05VGRAF4</b>	GRAF NUT 4 mm
22	6			<b>05VXCHB416N</b>	BLACK TORX BUTTON HEAD SCREW 4X16
23	1		<b>05PS.15FPA</b>	<b>05PS.15FPA</b>	CONNECTION PLATE COMPLETE WITH ARTWORK
24	1			<b>05JNEOHM+TPS15</b>	JOINT FOR CONNECTION PLATE
25	3			<b>05CNXNL4MP</b>	SPEAKON 4
26	6			<b>05VRI3.216N</b>	ALUMINIUM RIVET PLATE
27	1			<b>05APBOUCH250</b>	SECURITY PLUG FOR SPEAKKON CONNECTOR
28	1		<b>05PS.15BFPA</b>	<b>05PS.15BFPA</b>	PASSIVE FILTER
29	2			<b>05FCC2200</b>	CAPACITOR 2200 µF SINAPSIC 63V
30	1			<b>05CNXFPS15</b>	MALE CONNECTOR
31	1			<b>05CNXPS15F</b>	FEMALE CONNECTOR
32	2			<b>05VXTCBX512N</b>	BLACK SCREW TORX BUTTON HEAD 5 X 12 STEEL
33	4			<b>05VRA510ZN</b>	BLACK WASHER 5 X10 STAINLESS STEEL

<b>34</b>	<b>1</b>	<b>05PS.15UA</b>		<b>05PS.15UA</b>	COMPLETE GRILLE FOR PS15
<b>35</b>	<b>1</b>			<b>05MBULPEPS15</b>	BLACK FOAM BULPREN PS15
<b>36</b>	<b>1</b>			<b>05LOGPS15</b>	PS15 LOGO
<b>37</b>	<b>1</b>			<b>05LOGNEXO1</b>	NEXO LOGO
<b>38</b>	<b>1</b>			<b>05DRISSAC</b>	STEEL SAFETY PS CABS-GRILL TO CABINET
<b>39</b>	<b>1</b>			<b>05VRX520N</b>	BLACK WASHER 5 X20