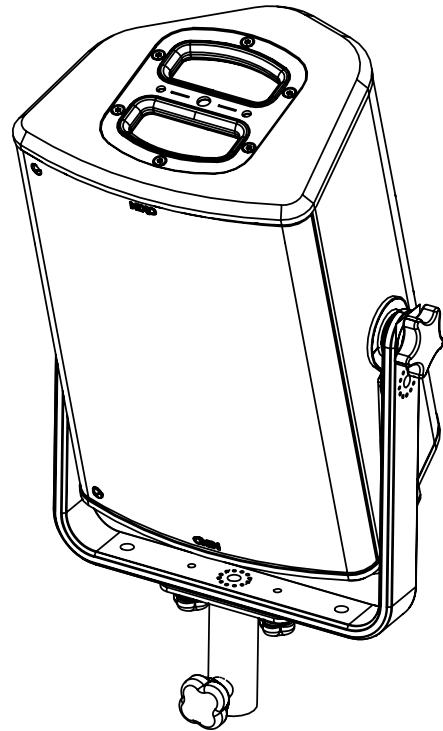
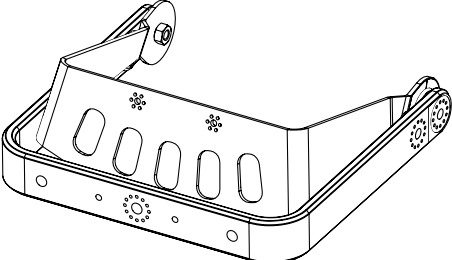
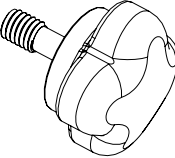
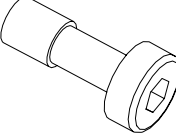
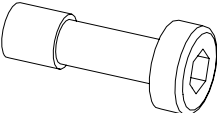



## Vertical bracket for P8



### Contents:

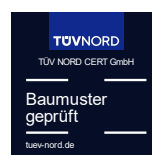
 <p>X1</p>	 <p>X2 KNOBM6-P3195</p>	 <p>X2 VXTCHC-P4452</p>	 <p>X2 VXTCHC-P4449</p>	 <p>X2 VRA10N (M10)</p>
---	--	---	--	--

Weight: 2.9 kg / 6.4 lb

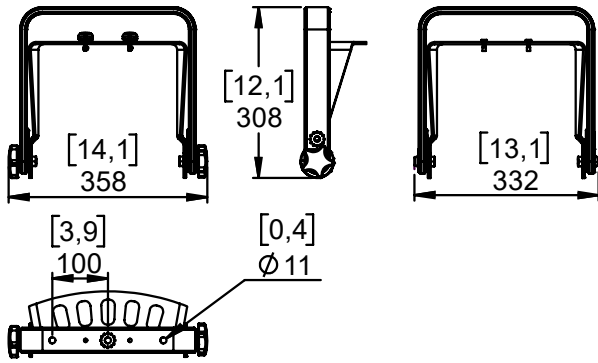


nexo-sa.com  
ZA du Pre de la Dame Jeanne  
60128 PLAILLY - France

- Read this document before using.
- Keep this document.
- Observe all warnings and cautions.



**Dimensions:**



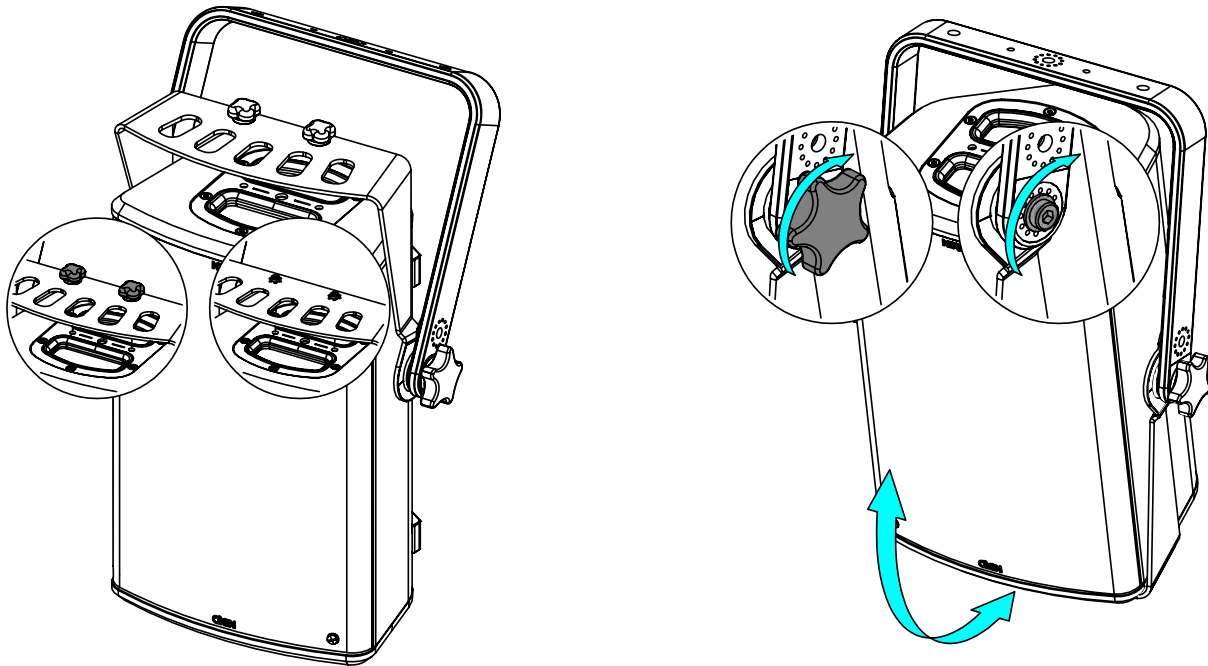
**Safety**

For permanent installation, use the provided thread lock coated screws.  
 Please, select screws and mounting location supporting 4 times the system weight.  
 The cradle must always be under the cabinet!

**Use:**

Place VBRK8 on P8, use only fasteners provided. Tight properly.

Adjust the P8 and tight properly on the sides, use only fasteners provided.



**Read instructions to use with CLADAPT or PLADAPT**

**WARNING – DO NOT MOUNT PNU-VBRK8 ON A WALL**  
 High force exerted on vertical mount section.

- NEXO cannot accept responsibility for accidents caused by any factor other than defects in this product itself.
- Please check the web site [nexo-sa.com](http://nexo-sa.com) for the latest update.