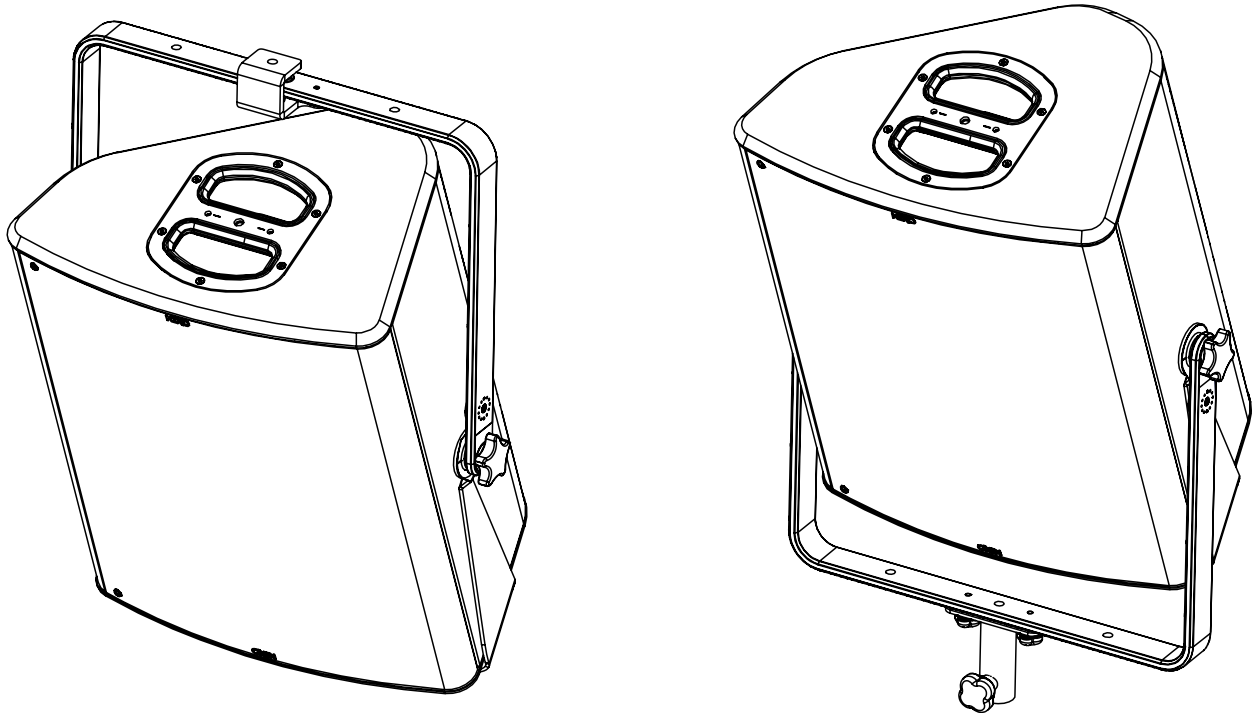
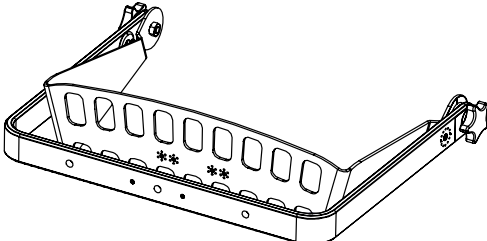
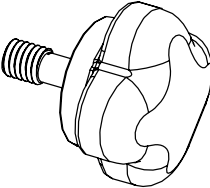
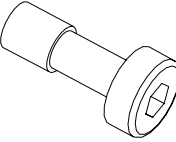
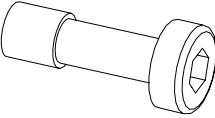



### Vertical bracket for P15



#### Contents:

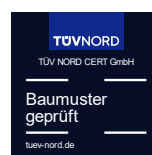
|  |  |   |  |  |
|--|--|---|--|--|
| <p>X1</p>  | <p>X2<br/>KNOBM6-P3195</p>  | <p>X2<br/>VXTCHC-P4452</p>  | <p>X2<br/>VXTCHC-P4449</p>  | <p>X2<br/>VRA10N<br/>(M10)</p>  |
|--|--|---|--|--|

Weight: 4.6 kg / 10.2 lb

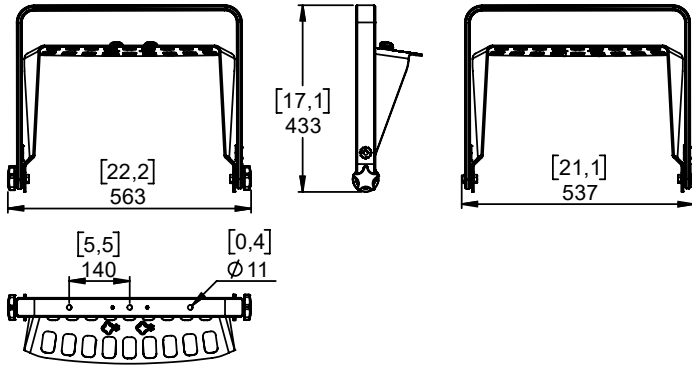


nexo-sa.com  
ZA du Pre de la Dame Jeanne  
60128 PLAILLY - France

- Read this document before using.
- Keep this document.
- Observe all warnings and cautions.



**Dimensions:**



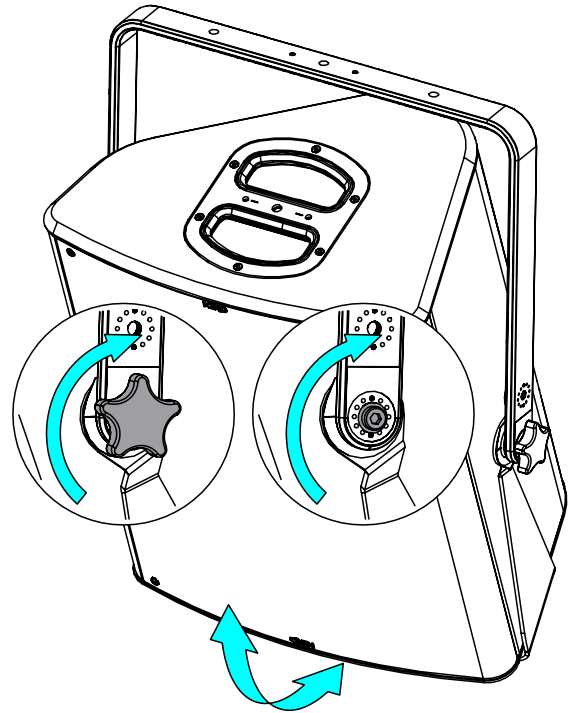
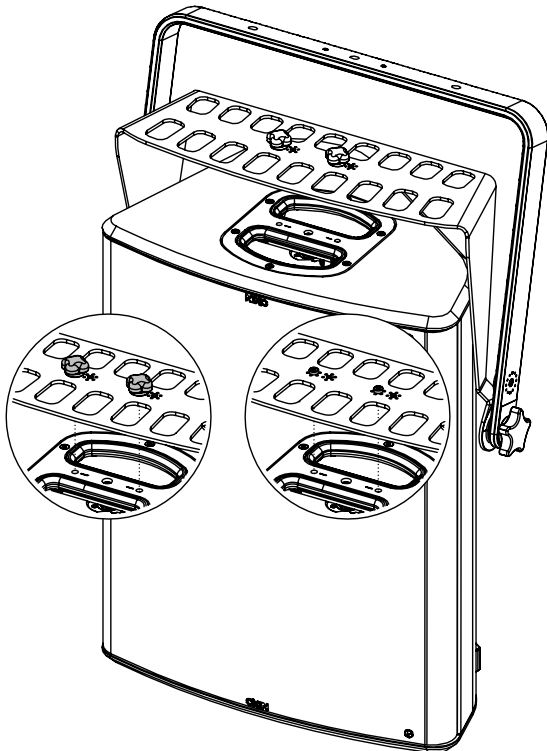
**Safety**

For permanent installation, use the provided thread lock coated screws.  
 Please, select screws and mounting location supporting 4 times the system weight.  
 The cradle must always be under the cabinet!

**Use:**

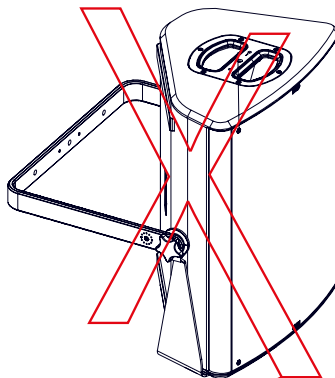
Place VBRK15 on P15, use only fasteners provided. Tight properly.

Adjust the P15 and tight properly on the sides, use only fasteners provided.



Read instructions to use with CLADAPT or PLADAPT

**WARNING – DO NOT MOUNT PNU-VBRK15 ON A WALL**  
 High force exerted on vertical mount section.



- NEXO cannot accept responsibility for accidents caused by any factor other than defects in this product itself.
- Please check the web site [nexo-sa.com](http://nexo-sa.com) for the latest update.