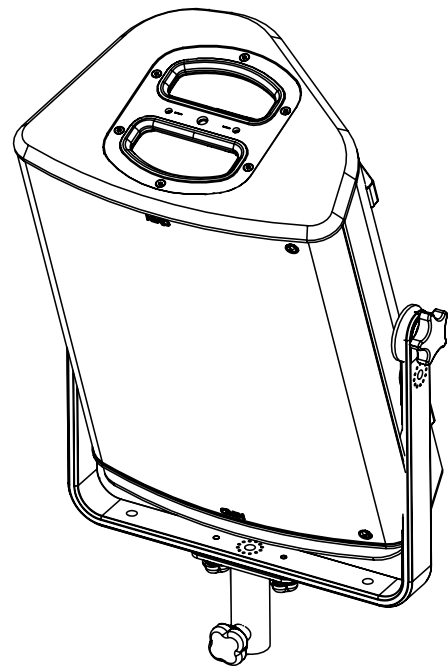


Vertical bracket for P10

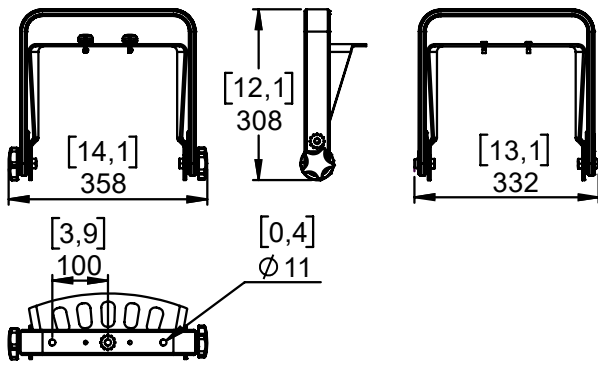


Contents:

X1	X2	X2 (M6)	X2 (M10)	X2 (M10)

Weight: 3.4 kg / 7.5 lb

Dimensions:



Safety

For permanent installation, use the provided thread lock coated screws.

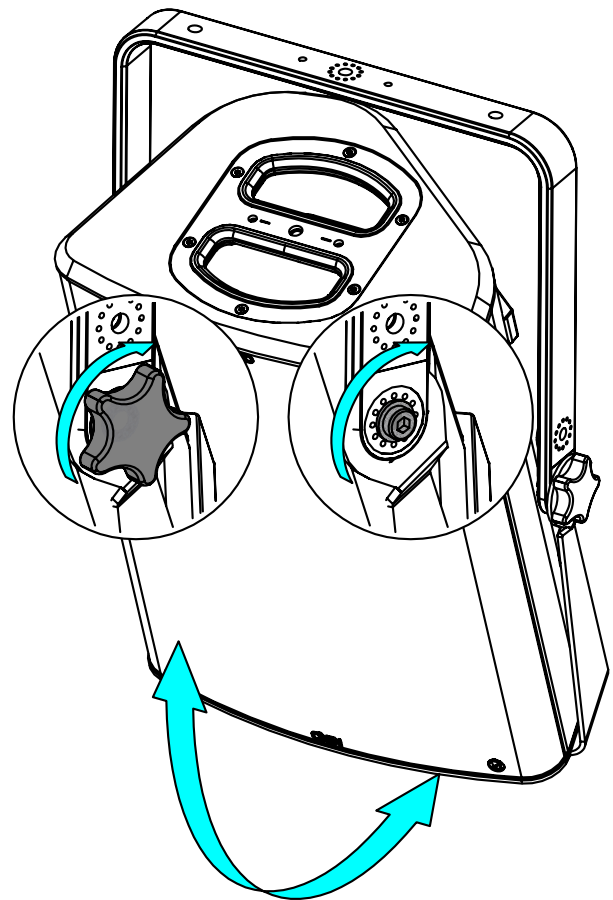
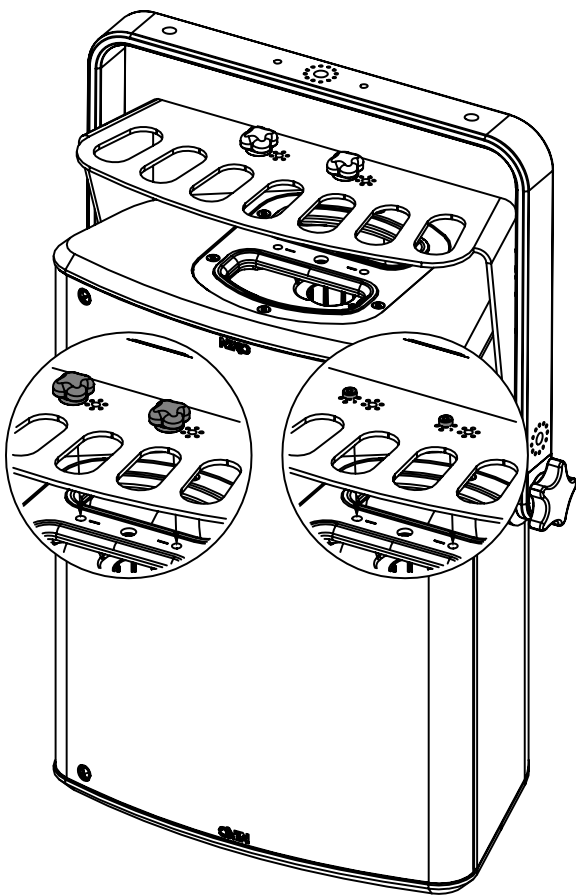
Please, select screws and mounting location supporting 4 times the system weight.

The cradle must always be under the cabinet!

Use:

Place VBRK10 on P10, use only fasteners provided. Tight properly.

Adjust the P10 and tight properly on the sides, use only fasteners provided.



Read instructions to use with CLADAPT or PLADAPT

- NEXO cannot accept responsibility for accidents caused by any factor other than defects in this product itself.
- Please check the web site nexo-sa.com for the latest update.

NEXO

nexo-sa.com
ZA du Pre de la Dame Jeanne
60128 PLAILLY - France

- Read this document before using.
- Keep this document.
- Observe all warnings and cautions.

